
GEARBOX

PRODUCT SERIES	TA - Shaft Mounted Gearbox
FRAME SIZE	70 - Mn2=4900 Nm/Tn2=43368,6 LbIn
REDUCTIONS	D - 2 Stages Reduction
GEAR RATIO	15
OUTPUT SHAFT BORE	85 - Output Shaft Bore d.85 mm
ANTI RUN-BACK	A - Backstop
INPUT CONFIGURATION	HS - Metric Solid Input Shaft
MOUNTING POSITION	A

TECH.DATA

Measurement Internat. System	METRIC
n1 Input Speed [min-1]	1400
n2 Output Speed [min-1]	93
Mn2 Output rated torque [Nm]	4400
Pn1 input rated power [kW]	45
Rn1 Input perm.over. load [N]	3400
Rn2 Output OHL [N]	N/A
Gearb.Mom.Inert.(•10-4) [Kgm2]	N/A
η_d Dynamic efficiency [%]	N/A
Gearbox Weight [Kg]	122.0
Output Shaft Dimensions	85 G7
Oil Quantity [l]	14.000

Product Dimensions

Datasheet ID: testID

Created by: xuantung.do@vinama.com.vn

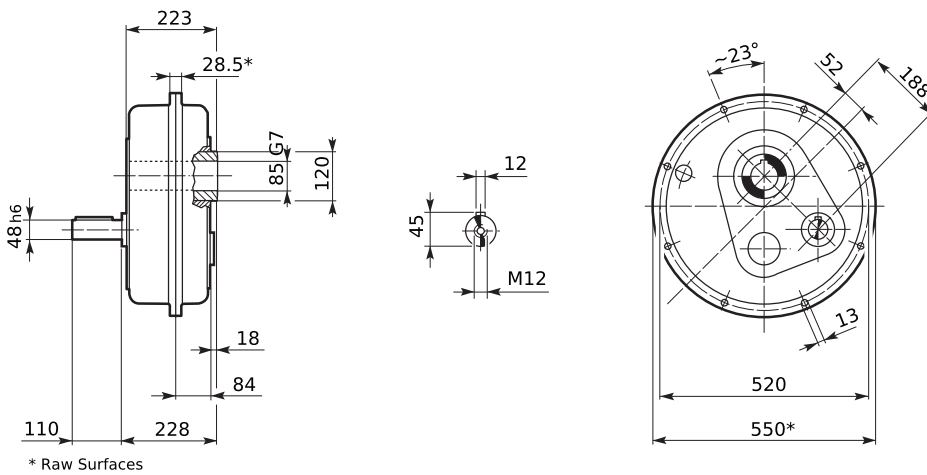
Created on: 16/10/2023

Designation

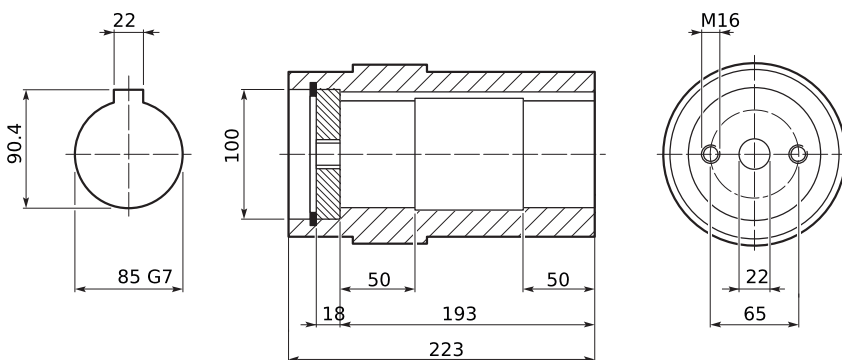
TA 70 D 15 85 A HS A

Dimensions [mm], Italic [In]

Gearbox Dimensions



Output Shaft



Mounting Position

