

SPECIFICATION

1 CUSTOMER
2 PRODUCT HYPONIC DRIVE
3 QTY 1 UNIT

4 SPEC.
MODEL NO RNYMS1H-1420-EP-12
REDUCTION RATIO 12 : 1
INPUT POWER 1.1 kW
INPUT SPEED 1450 r/min
OUTPUT SPEED 121 r/min
OUTPUT TORQUE RATED 103.6 Nm
SERVICE FACTOR 1.40

MOTOR TEFC 3-PHASE INDUCTION MOTOR
1.1 kW 4 P
220V/380V 50 Hz 1450 r/min
HIGH EFFICIENCY IE3
THERMAL CLASS F, RATING S1
TERMINAL BOX CONDUIT TUBE THREAD TYPE 2-M25x1.5
VARNISH TREATMENT FOR MOISTURE
DEGRESS OF PROTECTION IP66

REDUCER HYPONIC DRIVE
OUTPUT SHAFT HOLLOW SHAFT/ Q8E-25MM
LUBRICATION METHOD GREASE
AMBIENT TEMPERATURE -10°C ~ + 50°C

5 OUTLINE DIMENSIONS & MASS
DIMENSIONS OUTLINE DWG NO. SMVNLGCN60026
KEY JIS B-1301-1996 PARALLEL KEY
TOLERANCES JIS B-0401-1976

HISTORY 1)

13 April 2026

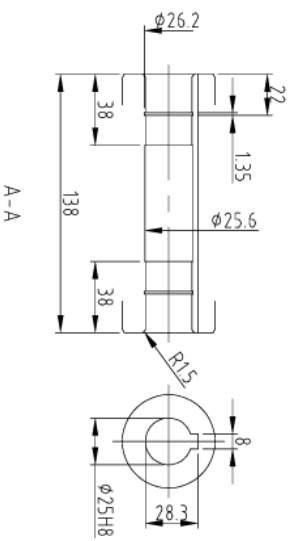
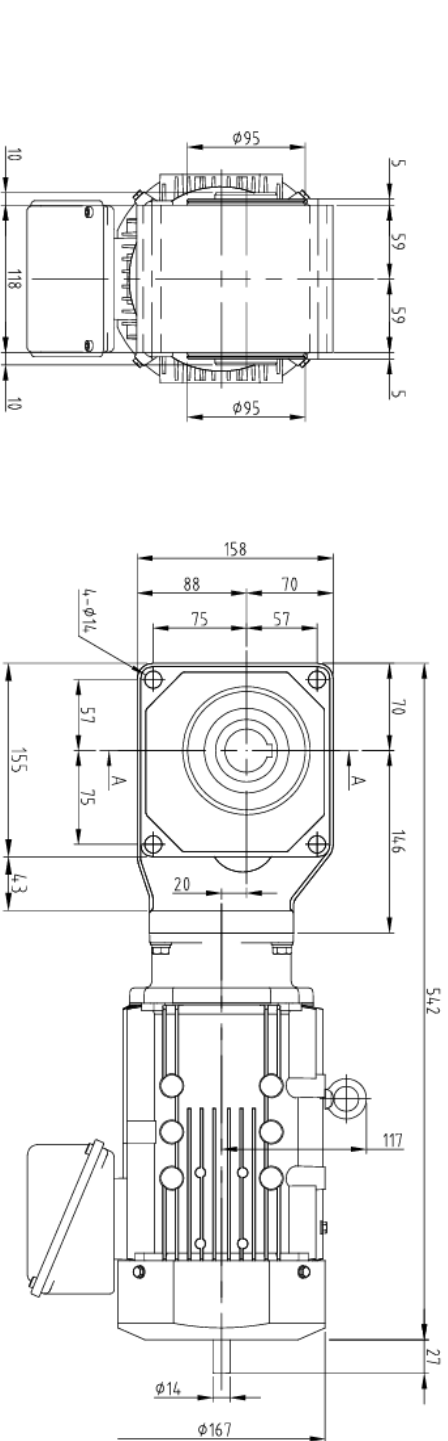
APPROVAL	PREPARE BY
	KHA

Warranty Period:
The Warranty period for the Products shall be 18 months after the shipment of Products from the seller's works or 12 months from the Products coming into operation, whichever comes first.

Warranty Condition
In case that any problems, troubles or damages on the Products arise due to the defects in the Products during the above "Warranty Period", although the products are appropriately and properly installed in, connected or combined to the equipment or machines, or maintained in accordance with the maintenance manual and are properly operated under the conditions as described in the catalogue or otherwise as agree upon in writing between Seller and Buyer or its customer, the Seller will provide, at its sole discretion, appropriate repair or replacement of the Products free of charge, unless the Exception for warranty is applied. However, in the event that the Products is installed, connected or combined to or integrated into the equipment or machines, the Seller shall not reimburse the costs for removal or re-installation of the Products or other incidental costs related thereto, any lost opportunity, loss of profit or any other incidental or consequential losses or damages incurred by the Buyer or its customers. The Exception for Warranty is stipulated in the warranty condition described in the catalogue of the products or the maintenance manual provided at the time of delivery of the Product.

<p>Please return the Specifications to us by _____</p> <p>In case the Specifications are not returned to us by the date stated above, the product will be manufactured in accordance with the Specifications. If any, or correction of the Specifications are required, please note that we may propose to change the delivery date and/or price of Products.</p>	<p>Acknowledged and confirmed by the customer:</p> <p>Signature: _____</p> <p>Date: _____</p>
---	---

FOR REFERENCE ONLY



NOTES:
1. ALL MAJOR DIMENSIONS TO BE FINALIZED AT DETAIL DESIGN

Sumitomo Drive Technologies

58-CYCLE ONE MAN CO. LTD.
Floor 18, Lot 13,5, Street 10, 3,3,8,
Le Hoa Kiem Industrial Park, Binh Chanh District, HCMC
http://www.sumitomedrive.com

SCALE:	1:1
APPROVED BY	
CHECKED BY	
DATE:	31-03-2026
DRAWN BY	KHA VO

HYPONIC DRIVE OUTLINE DRAWING

DWG NO.

SMVNLGN2,60026

RNYMS1H-1420-EP-Ratio (QSE-25MM)