



DEFENDER® 6000

Extreme Washdown Bench Scales



Advanced IP68/IP69K Washdown Base

The Defender 6000 Series Extreme Washdown Base is specifically designed for food, chemical and pharmaceutical applications, including production and packaging. Defender 6000 handles the most demanding applications with 316 stainless steel platform and frame, and hermetically-sealed stainless steel IP69K load cell. Defender 6000 meets metrological approvals, NSF listing, and supporting HACCP systems.

Unique Features Include:

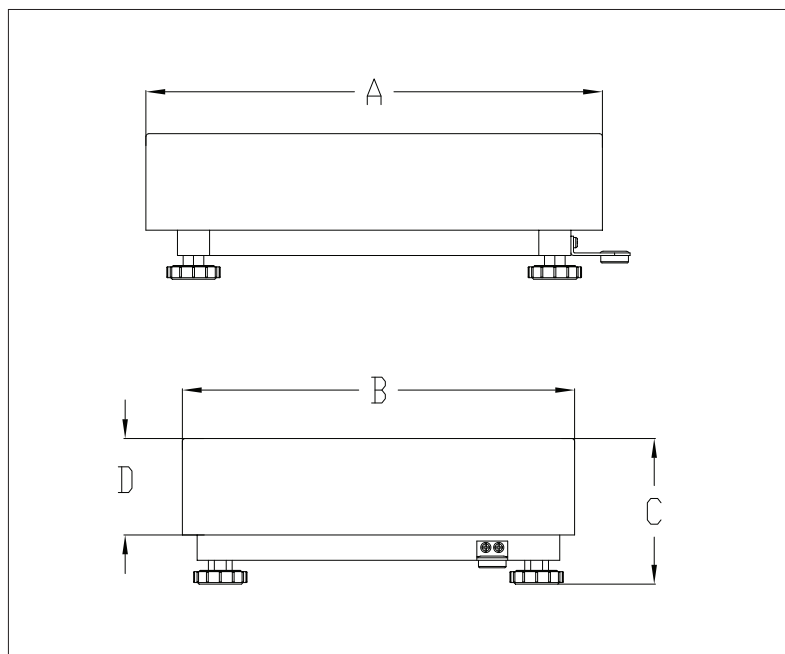
- Defender 6000 stands up to harsh cleaning in processing and packaging environments with IP68 immersion/ IP69K washdown protection, 316 stainless steel construction and hermetically-sealed load cell.
- The Defender 6000 bases are equipped with an EasyConnect cable, which allows instant configuration with Defender 5000 and 6000 indicators, speeding installation.
- Durable Defender 6000 is NSF certified, supporting HACCP systems with a 316 stainless steel base providing corrosion protection in food, chemical processing, and packaging.

DEFENDER® 6000 *Extreme Washdown Bases*

Specifications

| MODEL | i-D3K1S | i-D6K1S | i-D15K1R | i-D30K1R | i-D60K1L | i-D150K1L |
|---|---|--------------|------------------------|--------------|---|---------------|
| Capacity x Default Readability | 3 kg x 0.5 g | 6 kg x 0.5 g | 15 kg x 1 g | 30 kg x 2 g | 60 kg x 5 g | 150 kg x 10 g |
| Capacity x Certified/Approved Readability | 3 kg x 1 g | 6 kg x 2 g | 15 kg x 5 g | 30 kg x 10 g | 60 kg x 20 g | 150 kg x 50 g |
| Safe Overload Capacity | 150% of capacity | | | | | |
| Base Construction | 316 stainless steel top and bottom frame, hermetically sealed IP68/IP69K stainless steel loadcell | | | | 316 stainless steel removable weighing platform with 316 stainless steel frame, hermetically sealed IP68/IP69K stainless steel loadcell | |
| Linearity/Repeatability | ±2d | | | | | |
| Load Cell Capacity | 10 kg | 10 kg | 20 kg | 50 kg | 100 kg | 200 kg |
| Load Cell Cable | 0.5 m L x 6-wire | | | | 1 m L x 6-wire | |
| Load Cell Type | 350 Ohm, stainless steel, single point | | | | | |
| Load Cell Excitation | 3.3-15V DC/AC | | | | | |
| Load Cell Rated Output | 2mV/V | | | | | |
| Load Cell Protection | IP68/IP69K | | | | | |
| Base Dimensions (A x B x C x D) | 250 x 250 x 106 x - mm | | 300 x 300 x 106 x - mm | | 500 x 400 x 137 x 80 mm | |
| Shipping Dimensions (L x W x H) | 490 x 450 x 380 mm | | | | 1,000 x 690 x 250 mm | |
| Approx. Net Weight | 5.8 kg | | 7 kg | | 15.6 kg | 16.8 kg |
| Approx. Shipping Weight | 8 kg | | 9 kg | | 28 kg | 30 kg |

Outline Dimensions



Accessories

| | |
|---|----------|
| Wheel kit SS Defender Series | 30616409 |
| LC Extension Cable, 9 meters | 30424409 |
| Column Kit 260 mm 316 SS..... | 30572908 |
| Column Kit 670 mm 316 SS..... | 30572909 |
| Front Mounting kit 316 SS i-DT61PW..... | 30626654 |
| Pan 305x305 mm in 304 SS | 30427798 |
| Pan 254x254 mm 304 SS | 30427799 |
| Cable Kit Extension for base | 30429931 |

Other Standard Features & Equipment

150% overload capacity protection, open design to minimize build-up and support easy cleaning, non-slip adjustable rubber feet.

Compliance

- **Metrology:** Load Cell: OIML (R60/2000-DE1-06.02, R60/2000-NL1-12.50); EN45501 (D09-06.20, TC7648). Platforms: NTEP (CC 20-064); MC (AM-6154) Class III
- **Food Safety:** ANSI/NSF 169
- **Ingress Protection:** IEC 60529 – IP68, DIN 40050 – IP69K
- **Compliance Marks:** CE
- **Other:** WEEE, RoHS

OHAUS Asia/Pacific Headquarters
7F, Block 33, 680 Guiping Road
Shanghai 200233
China

e-mail: APmarketing@ohaus.com
Tel: +86 21 64855408

www.ohaus.com

The management system governing the manufacture of this product is ISO 9001:2015 certified.

SAP Literature 30385561

80776649_A_20210311 © Copyright OHAUS Corporation

