

SWB505 MultiMount™ / SWB605 PowerMount™

Weigh Module



Download Installation Guide:

EU-W: English, Deutsch, Español,
Français, Italiano, Nederlands,
Português
EU N Svenska, Dansk, Norsk
EU E: Polski, Čeština, Magyar,
Русский, Türkçe

► www.mt.com/ind-downloads-multimount



Download Installation Guide:

EU-W: English, Deutsch, Español,
Français, Italiano, Nederlands,
Português
EU N Svenska, Dansk, Norsk
EU E: Polski, Čeština, Magyar,
Русский, Türkçe

► www.mt.com/ind-downloads-powermount

METTLER TOLEDO



Download Installation Guide:
Installation Guide is available in:
English, German, Spanish, French,
Italian, Dutch, Portuguese, Swedish,
Danish, Norwegian, Polish, Czech,
Hungarian, Russian, Turkish



Download Installation Guide:
Installation Guide is available in:
English, German, Spanish, French,
Italian, Dutch, Portuguese, Swedish,
Danish, Norwegian, Polish, Czech,
Hungarian, Russian, Turkish

► www.mt.com/ind-downloads-multimount

► www.mt.com/ind-downloads-powermount

Before You Begin

1»

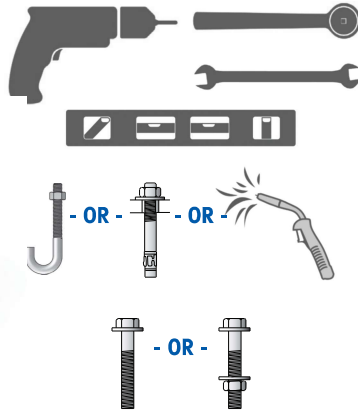


Never extend or cut the load cell's cable length. Always remove the load cell before welding.

①

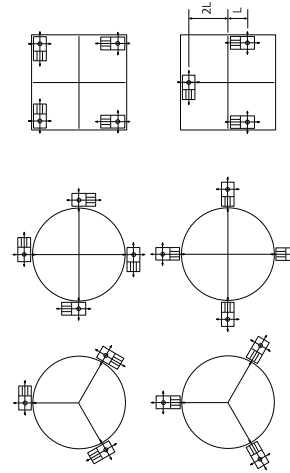


② Tools You Need:



Plan Your Layout

2»



Sample Orientations

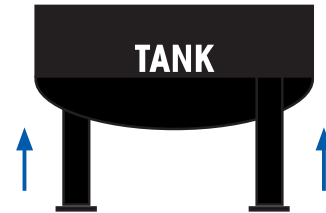
Position the Weigh Modules

3»



Block the tank when in raised position.

① Lift tank



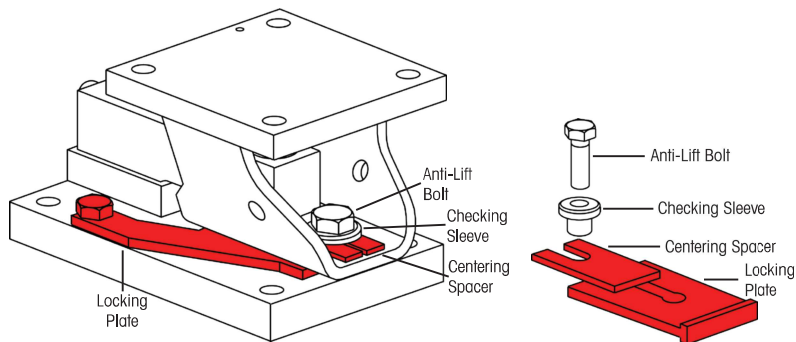
② Position weigh modules under tank legs according to your layout

Make Sure Locking Plates are Installed

4»



During installation, each weigh module must be equipped with a SafeLock™ locking plate and centering spacer.

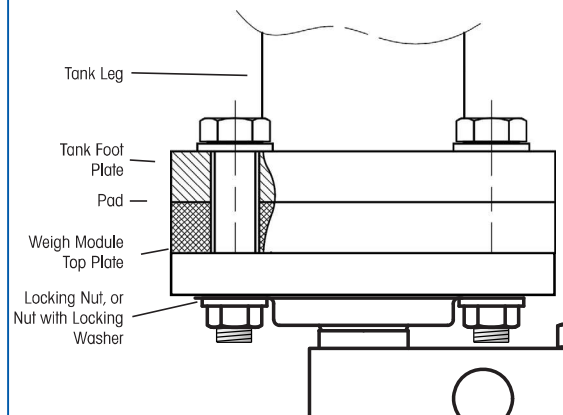


SafeLock™ Locking Plate (Sizes 2 and 3)

SafeLock™ Locking Plate (Size 1)

Mounting Optional Pads

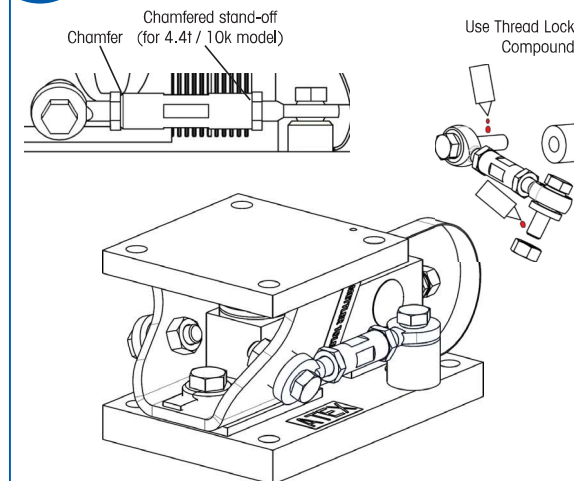
5»



Mounting Optional Stabilizer

6»

1 or 2 stabilizers can be installed.





Download Installation Guide:
Installation Guide is available in:
English, German, Spanish, French,
Italian, Dutch, Portuguese, Swedish,
Danish, Norwegian, Polish, Czech,
Hungarian, Russian, Turkish



Download Installation Guide:
Installation Guide is available in:
English, German, Spanish, French,
Italian, Dutch, Portuguese, Swedish,
Danish, Norwegian, Polish, Czech,
Hungarian, Russian, Turkish

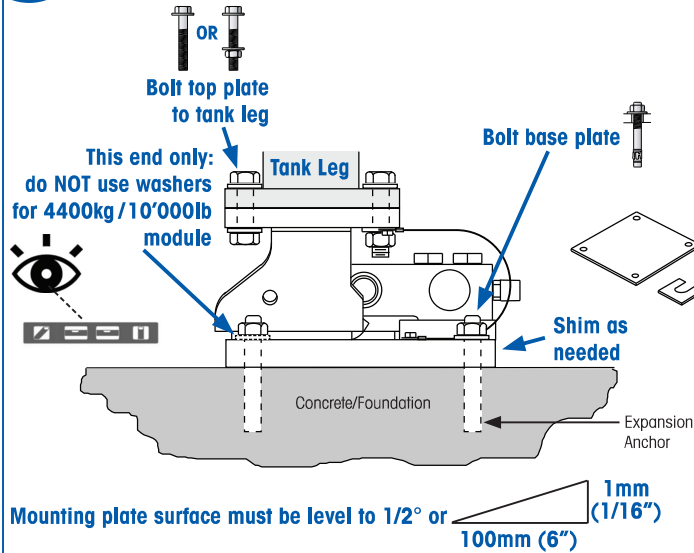
► www.mt.com/ind-downloads-multimount

► www.mt.com/ind-downloads-powermount

Options for Securing the Weigh Modules

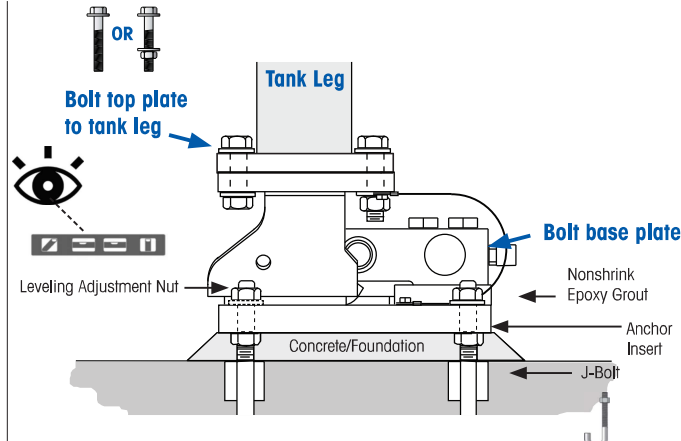
7»

BOLT the weigh module:



All weigh modules must be in the same plane within 3mm (1/8").

- OR - LEVEL AND GROUT the weigh module:



- OR -

WELD the weigh module:



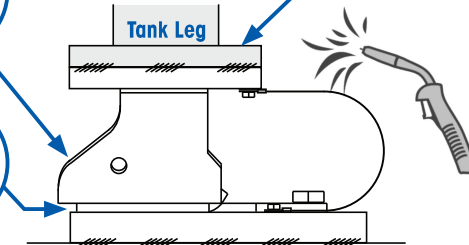
- Remove load cell from weigh module before welding
- Ground wire of welder must be as close to the weld seam as possible to ensure proper grounding.



Contact authorized METTLER TOLEDO technician for proper removal and re-installation of load cells.



Size 1 weld: 5mm (3/16")
Size 2/3 weld: 9mm (3/8")
25mm (1") long
on 75mm (3") centers

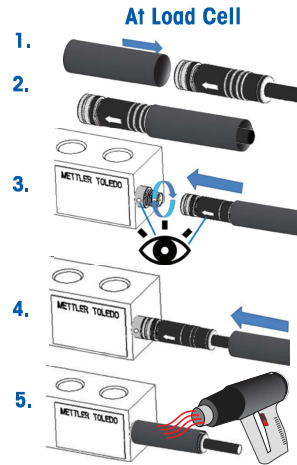


Load Cell Cable Connection and Cable Protector Installation*

8»

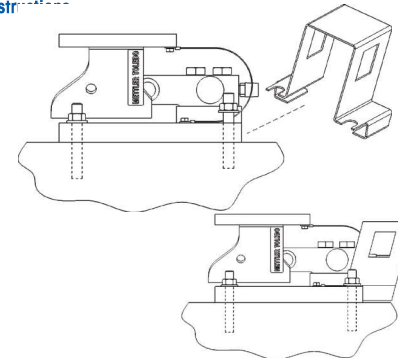


- Align connectors correctly
- Tighten connectors
- Protect connectors from mechanical shock
- Use heat gun to shrink-wrap connection



* Cable Protector Placement

Cable protector is mandatory for SWB605 with cable connection as shown, optional for SWB505. Refer to Cable Protector Installation Guide 30315556 for installation instructions.



Contact authorized METTLER TOLEDO service technician to activate the weigh modules startup and calibration.

Installation Tips and Precautions

- Never cut the load cell's cable or extend its length.
- Avoid moisture and dust.
- Ensure voltage stability – use a regulated power supply.
- Avoid overload and shock.
- Ensure good grounding.
- For hazardous area installations in Europe, refer to enclosed instructions (30104376 / 175389R).

Contact Information

► www.mt.com/contact