

SWC515-A PinMount™ / SWC615-A PowerMount™

Weigh Module



Download Installation Guide:

EU W: English, Deutsch, Español,
Français, Italiano, Nederlands,
Português
EU N: Svenska, Dansk, Norsk
EU E: Polski, Čeština, Magyar,
Русский, Türkçe

► www.mt.com/ind-downloads-pinmount



Download Installation Guide:

EU W: English, Deutsch, Español,
Français, Italiano, Nederlands,
Português
EU N: Svenska, Dansk, Norsk
EU E: Polski, Čeština, Magyar,
Русский, Türkçe

► www.mt.com/ind-downloads-615powermount

METTLER TOLEDO



Download Installation Guide:
Installation Guide is available in:
English, German, Spanish, French,
Italian, Dutch, Portuguese, Swedish,
Danish, Norwegian, Polish, Czech,
Hungarian, Russian, Turkish



Download Installation Guide:
Installation Guide is available in:
English, German, Spanish, French,
Italian, Dutch, Portuguese, Swedish,
Danish, Norwegian, Polish, Czech,
Hungarian, Russian, Turkish

► www.mt.com/ind-downloads-pinmount

► www.mt.com/ind-downloads-615power

Before You Begin

1»

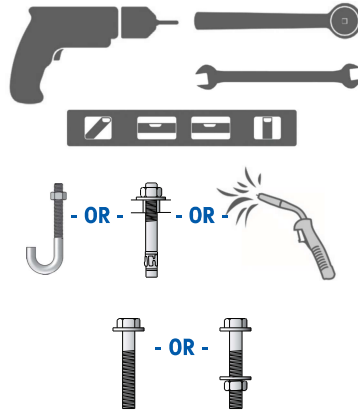


Never extend or cut the load cell's cable length. Always remove the load cell before welding.

1



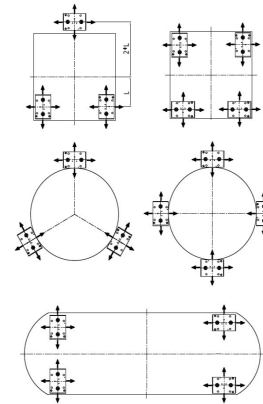
2 Tools You Need:



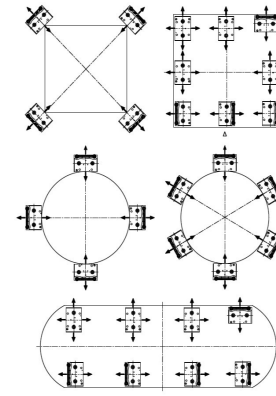
Plan Your Layout

2»

Without Stabilizers



With Stabilizers



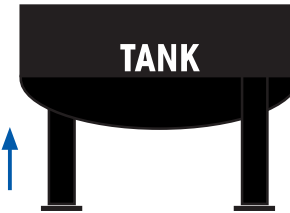
Position the Weigh Module

3»



Block tank when in raised position.

1 Lift tank



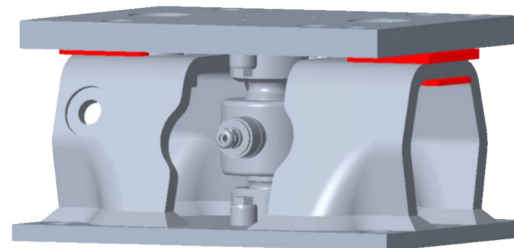
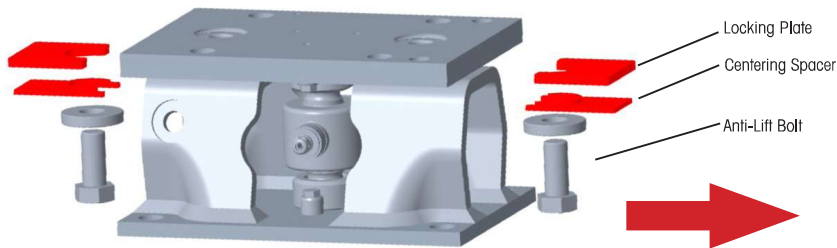
2 Position weigh modules under tank legs according to your layout

Make Sure Locking Plates are Installed

4»

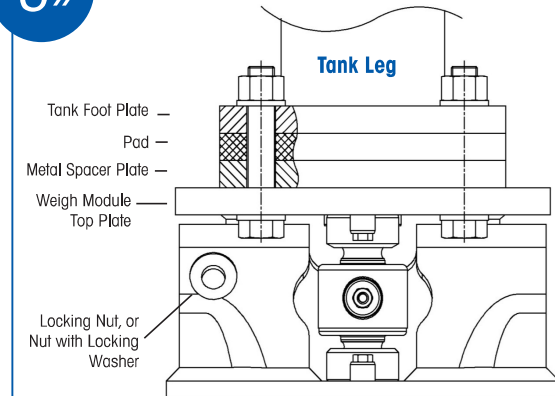


Use SafeLock™ Centering Spacer and SafeLock™ Locking Plate.



Mounting Optional Pads

5»

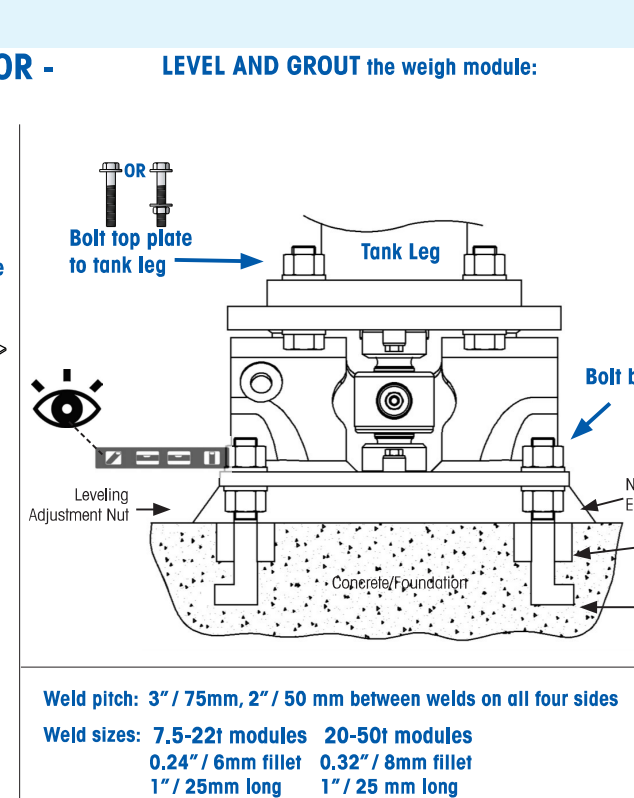
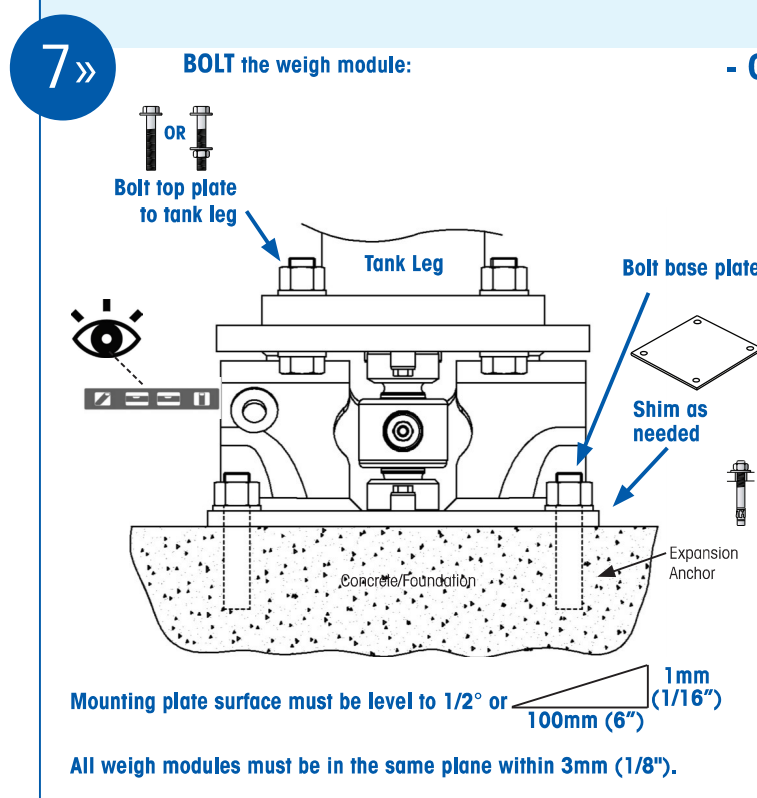
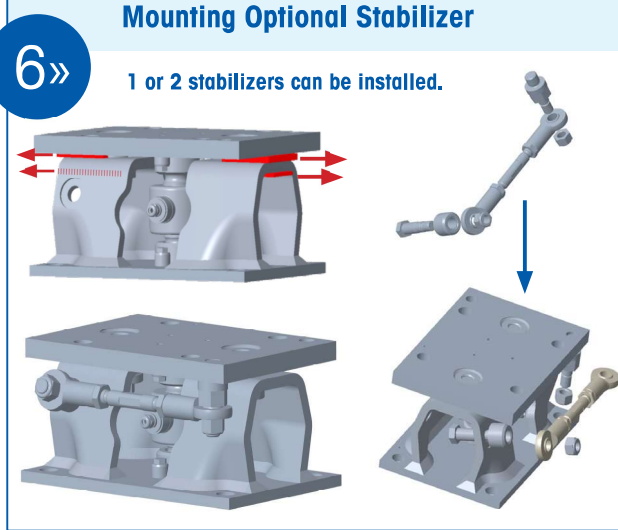




Download Installation Guide:
Installation Guide is available in:
English, German, Spanish, French,
Italian, Dutch, Portuguese, Swedish,
Danish, Norwegian, Polish, Czech,
Hungarian, Russian, Turkish



Download Installation Guide:
Installation Guide is available in:
English, German, Spanish, French,
Italian, Dutch, Portuguese, Swedish,
Danish, Norwegian, Polish, Czech,
Hungarian, Russian, Turkish



Installation Tips and Precautions:

- Never cut the load cell's cable or extend its length.
- Avoid moisture and dust.
- Ensure voltage stability – use a regulated power supply.
- Avoid overload and shock.
- Ensure good grounding.
- For hazardous area installations in Europe, refer to the enclosed instructions (30104376 / 175389R).



Contact authorized METTLER TOLEDO service technician to activate the weigh modules for startup and calibration.

Contact Information:

► www.mt.com/contact

For patent rights see www.mt.com/patentmarking

© 2022 Mettler Toledo GmbH, Switzerland
04/2022 | 30577567

- OR -



WELD the weigh module:

- Remove load cell from weigh module before welding.
- Ground wire of welder must be as close to the weld seam as possible to ensure proper grounding.

