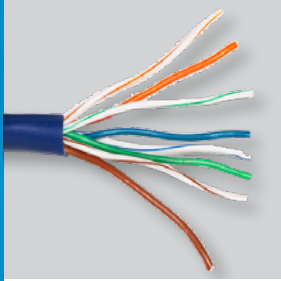


Hazardous-Area / IP66 Terminal Block

Designed for Easy Integration



Easy and Efficient Wiring

With its easy-to-use spring mechanism, ConBlock-X is the most efficient way to connect a weigh module in a hazardous area.



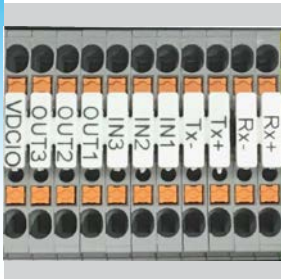
Fit for Hazardous Use

The ConBlock-X is approved for use in zone 1/21 (Cat. 2). Mettler-Toledo uses the ConBlock-X only in zones 2/22 (Cat. 3) applications!



Wash-down Compatible

ConBlock-X's protective housing has an IP66 rating which enables use in wash-down applications.



Error-free Connectivity

All contacts are clearly labeled to avoid wiring errors upon installation. Contacts are easy to identify.



ConBlock-X

For Easy and Efficient Wiring in Hazardous Areas

ConBlock-X allows the easy and efficient wiring of a weigh module in zone 2/22 (Cat. 3) weighing applications. Clearly labelled contacts that use a spring mechanism help to minimize installation errors and commissioning time while enhancing operator safety.

ConBlock-X's innovative protective housing enables it to be installed in wet areas to further expand its hazardous-area use.

Specifications

IP rating	IP66
Enclosure dimensions [mm]	75 x 160 x 56
Enclosure material	Polyester
Hazardous area approval (ATEX)	II 2G Ex eb IIC T6 Gb II 2D Ex tb IIIC T 85 °C Db
Ambient temperature	-20 °C to +40 °C
Maximum cable size	1.5 mm ² / 16 AWG
Cable glands	M16

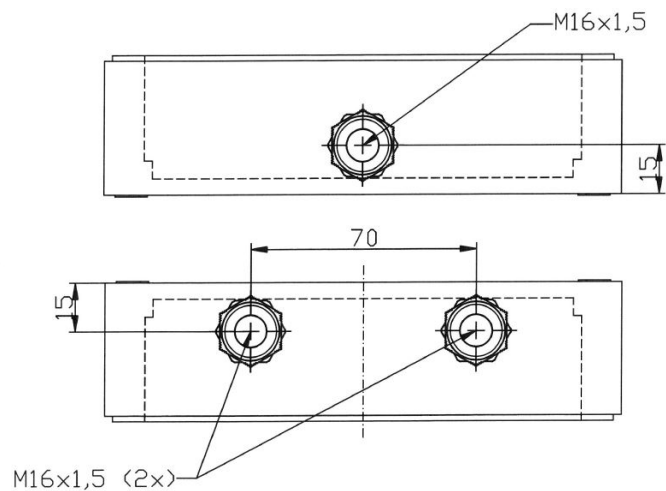
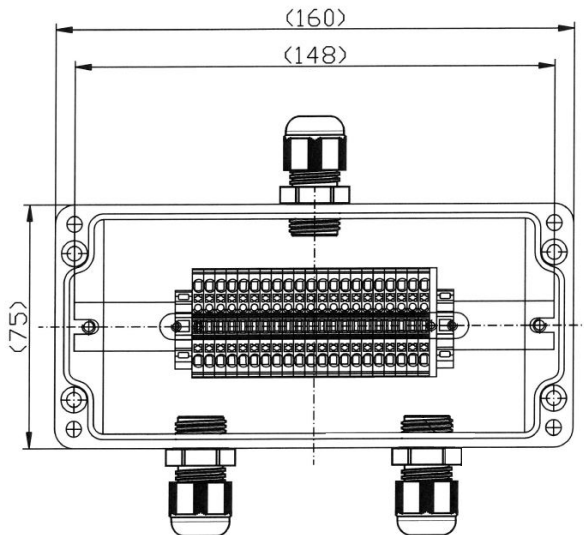
Scope of Delivery

- ConBlock-X
- Supplementary sheet
- CE Declaration of conformity

Order Information

Model	Item number
ConBlock-X	303 740 66

Dimensions



Compatible Weighing Devices



WMS Ex-2

► www.mt.com/WMS-Ex2



PBK9 Ex-2

► www.mt.com/PBK9



PFK9 Ex-2

► www.mt.com/PFK9



SLF6 Ex-2

► www.mt.com/SLF6

METTLER TOLEDO Group

Industrial Division

Local contact: www.mt.com/contacts

Subject to technical changes

© 02/2019 METTLER TOLEDO. All rights reserved

Document No. 30388060 A

MarCom Industrial

www.mt.com/APW

For more information

