

SWC415 PinMount

Weigh Module



Download Installation Guide:

EU W: English, Deutsch, Español,
Français, Italiano, Nederlands,
Português

EU N: Svenska, Dansk, Norsk

EU E: Polski, Čeština, Magyar,
, Türkçe

► www.mt.com/ind-downloads-415pin

METTLER TOLEDO

METTLER TOLEDO

SWC415 PinMount™ Weigh Module » Installation Guide



Download Installation Guide
 Installation Guide is available in
 English, German, Spanish,
 Italian, Dutch, Portuguese,
 Danish, Norwegian, Polish,
 Hungarian, Russian, Turkish

► www.mt.com/ind-downloads-415

Before You Begin

1»

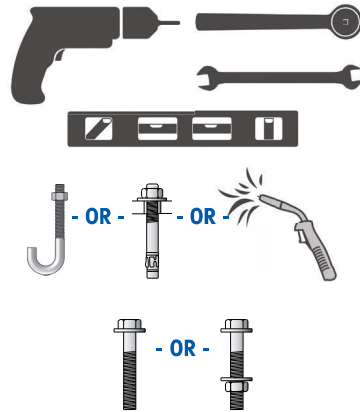


Never extend or cut the load cell's cable length. Always remove the load cell before welding.

①



② Tools You Need:

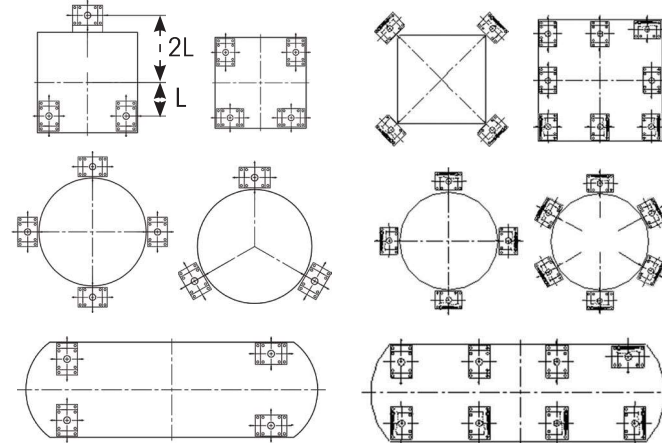


Plan Your Layout

2»

Without Stabilizers

With Stabilizers



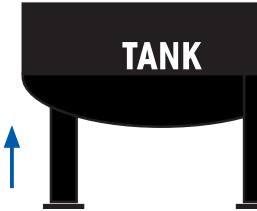
Position the Weigh Module

3»



Block tank when raised position.

① Lift tank



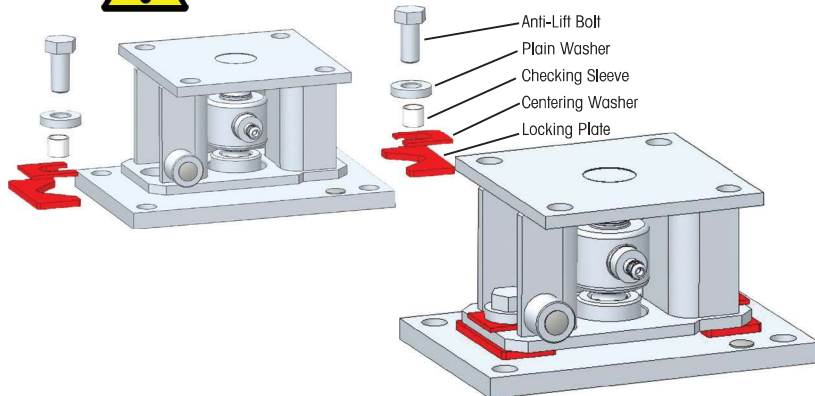
② Position weigh modules on legs according to your layout

Make Sure Locking Plates are Installed

4»

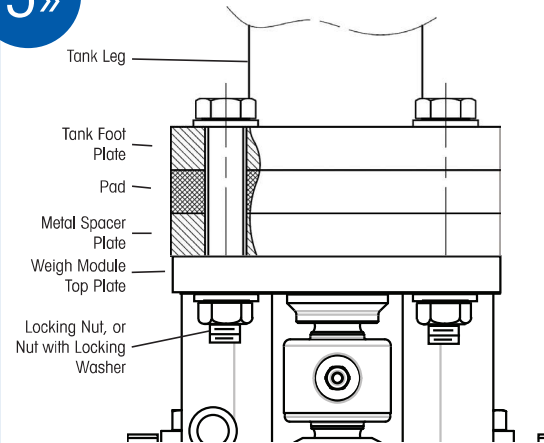


Use SafeLock™ Centering Washer and SafeLock™ Locking Plate.



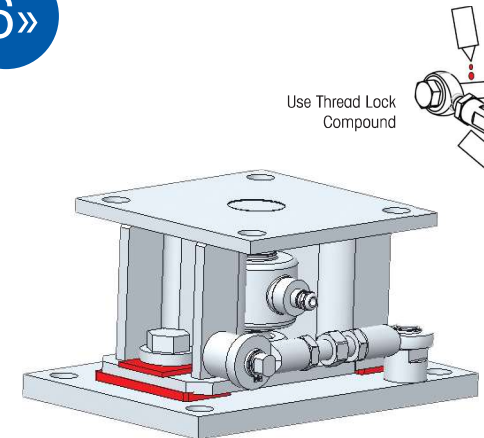
Mounting Optional Pads

5»



Mounting Optional Stabilizer

6»





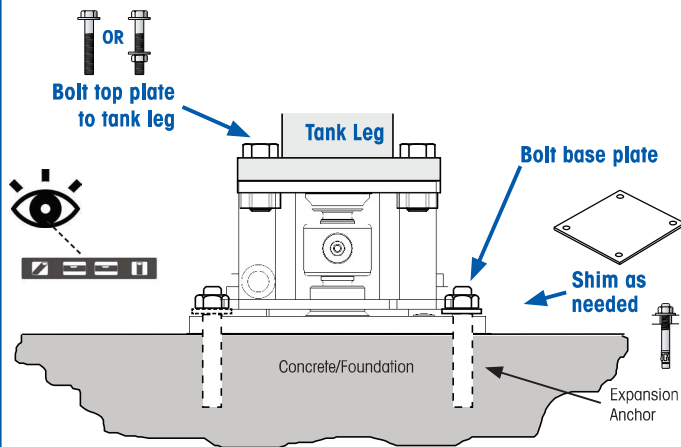
SWC415 PinMount™ Weigh Module » Installation Guide

► www.mt.com/ind-downloads-415

Options for Securing the Weigh Modules

7»

BOLT the weigh module:

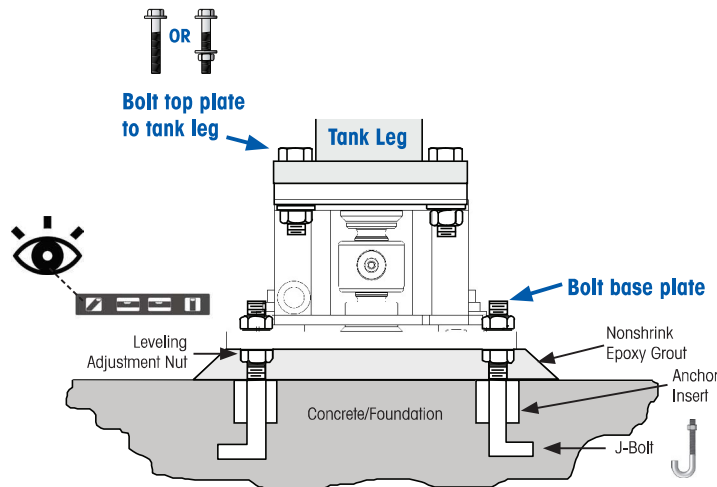


Mounting plate surface must be level to $1/2^\circ$ or 100mm (6") 1mm ($1/16''$)

All weigh modules must be in the same plane within 3mm ($1/8''$).

- OR -

LEVEL AND GROUT the weigh module:



- OR -

WELD the weigh module:



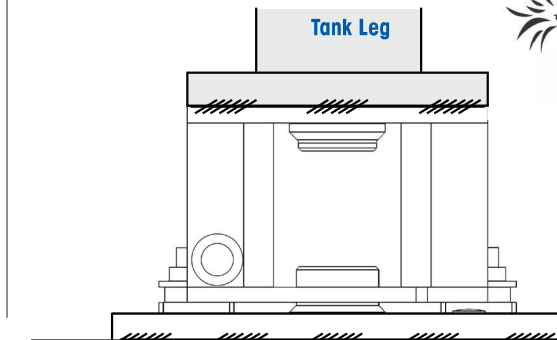
- Remove load cell from weigh module before
- Ground wire of welder must be as close to the seam as possible to ensure proper grounding



Contact authorized METTLER TOLEDO technician for proper removal and re-installation of load cell

Weld pitch: $3'' / 75\text{mm}$, $2'' / 50\text{mm}$ between welds on all four

Weld sizes: **7.5-22t modules** $0.24'' / 6\text{mm}$ fillet $0.32'' / 8\text{mm}$ fillet
 $1'' / 25\text{mm}$ long $1'' / 25\text{mm}$ long



Installation Tips and Precautions:

- Never cut the load cell's cable or extend its length.
- Avoid moisture and dust.
- Ensure voltage stability – use a regulated power supply.
- Avoid overload and shock.
- Ensure good grounding.
- For hazardous area installations in Europe, refer to the enclosed instructions (30104376 / 175389R).



Contact authorized METTLER TOLEDO service technician to activate the weigh modules for startup and calibration.

Contact Information:

► www.mt.com/contact