

Installation Guide



METTLER TOLEDO

SWS310 / Tension Weigh Module » Installation Guide

Before You Begin

1 »



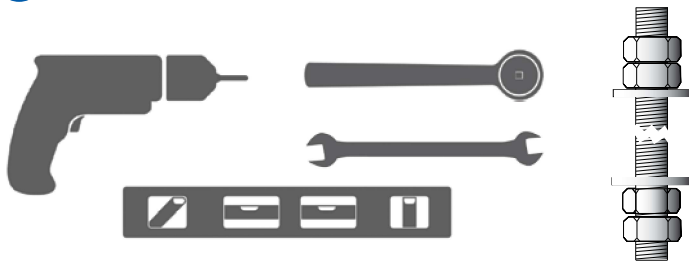
Never extend or cut the load cell's cable length.
Always remove the load cell before welding.

①



②

Tools You Need:

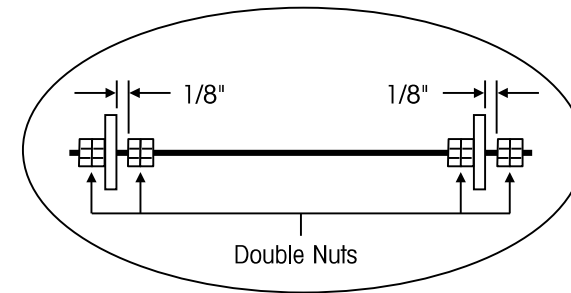


Weigh Module Capacities and Clevis Thread Sizes

SWS310 Weigh Module Capacity	Clevis Thread Sizes
50 - 300 lb	3/8-16 UNC
500 - 3,000 lb	5/8-11 UNC
5,000 - 10,000 lb	1-8 UNC
15,000 - 20,000 lb	1 3/8-6 UNC

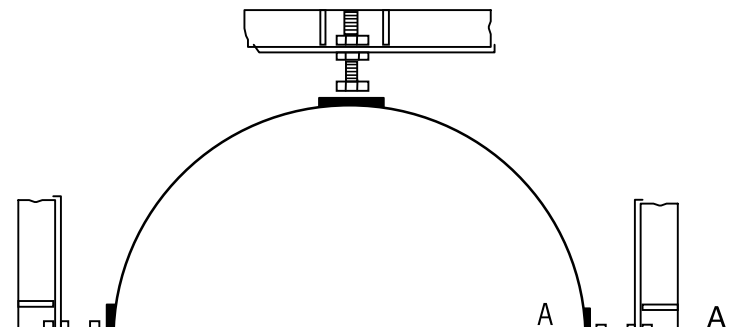
2 »

Optional Checking Configurations (Customer-supplied)



Check Rod

Vertical Column



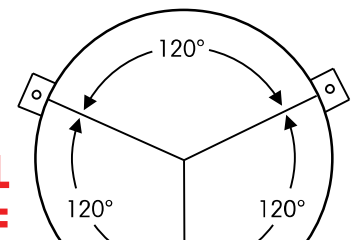
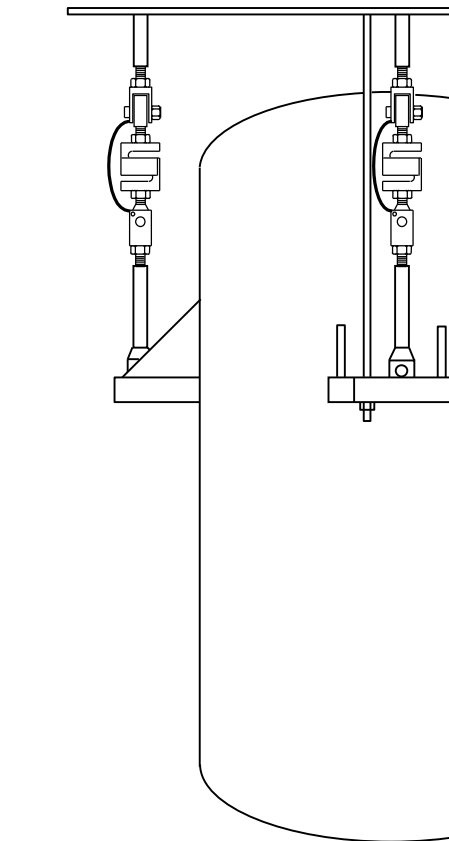
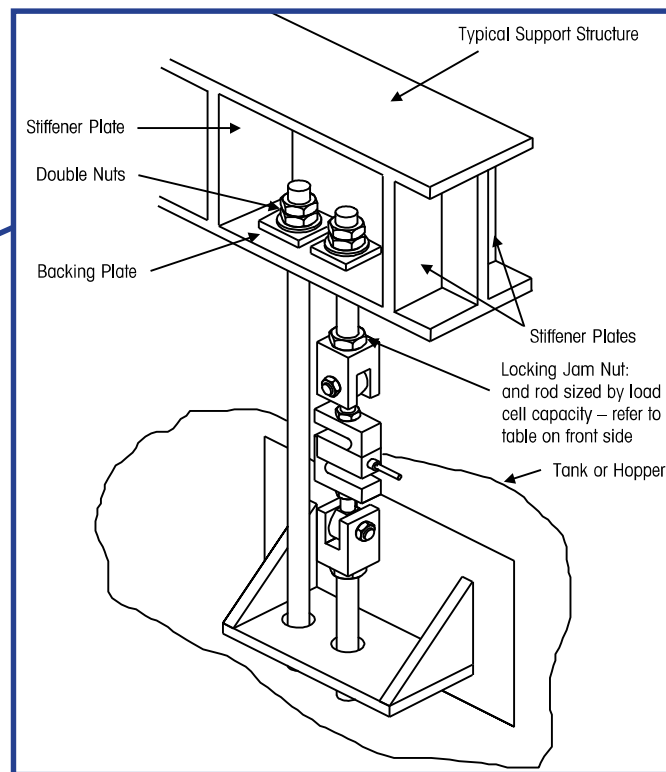
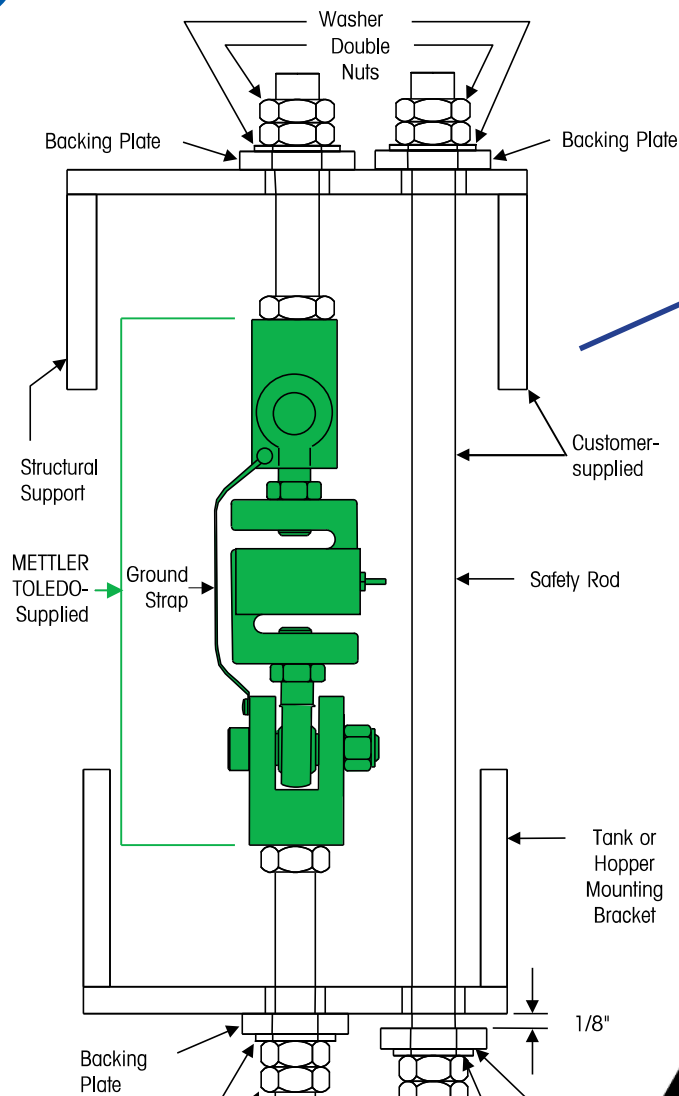
METTLER TOLEDO

SWS310 / Tension Weigh Module » Installation Guide

Plan Your Layout

3»

Rods



USE SAFETY CHAINS OR RODS TO PREVENT VESSEL FROM FALLING IN CASE OF

