

SWC515 PinMount™ / SWC615 PowerMount™

Weigh Module



Download Installation Guide:

EU W: English, Deutsch, Español,
Français, Italiano, Nederlands,
Português

EU N: Svenska, Dansk, Norsk

EU E: Polski, Čeština, Magyar,
Русский, Türkçe

► www.mt.com/ind-downloads-pinmount



Download Installation Guide:

EU W: English, Deutsch, Español,
Français, Italiano, Nederlands,
Português

EU N: Svenska, Dansk, Norsk

EU E: Polski, Čeština, Magyar,
Русский, Türkçe

► www.mt.com/ind-downloads-615powermount

METTLER TOLEDO



Download Installation Guide:
Installation Guide is available in:
English, German, Spanish, French,
Italian, Dutch, Portuguese, Swedish,
Danish, Norwegian, Polish, Czech,
Hungarian, Russian, Turkish



Download Installation Guide:
Installation Guide is available in:
English, German, Spanish, French,
Italian, Dutch, Portuguese, Swedish,
Danish, Norwegian, Polish, Czech,
Hungarian, Russian, Turkish

Before You Begin

1»

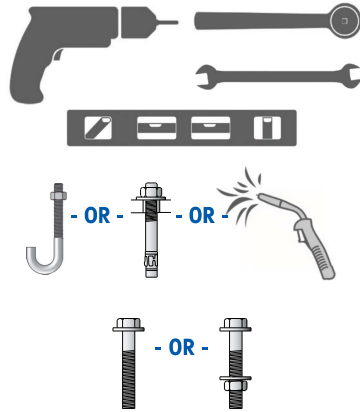


Never extend or cut the load cell's cable length. Always remove the load cell before welding.

1



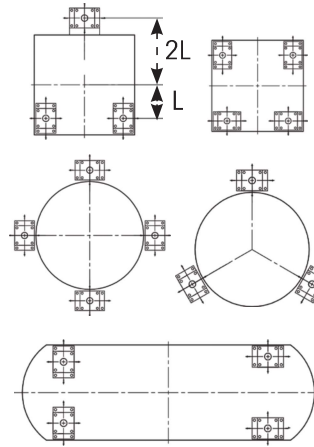
2 Tools You Need:



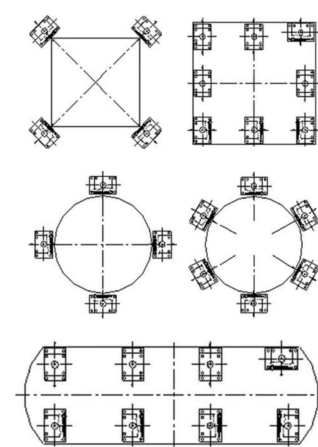
Plan Your Layout

2»

Without Stabilizers



With Stabilizers



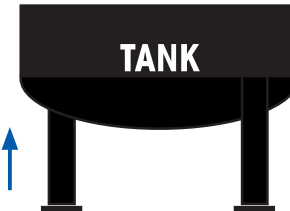
Position the Weigh Module

3»



Block tank when in raised position.

1 Lift tank



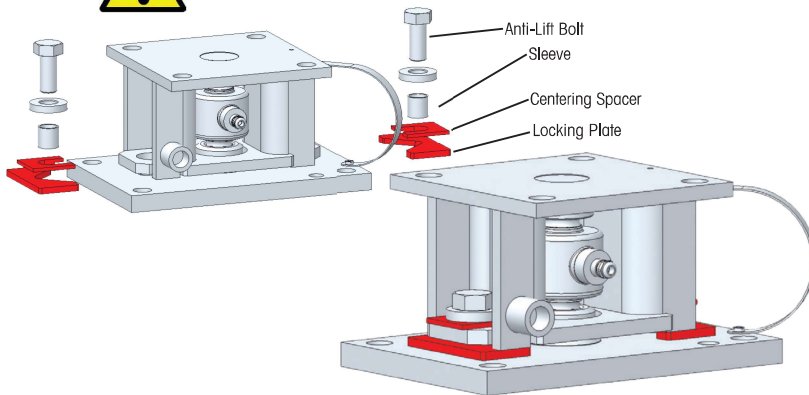
2 Position weigh modules under tank legs according to your layout

Make Sure Locking Plates are Installed

4»

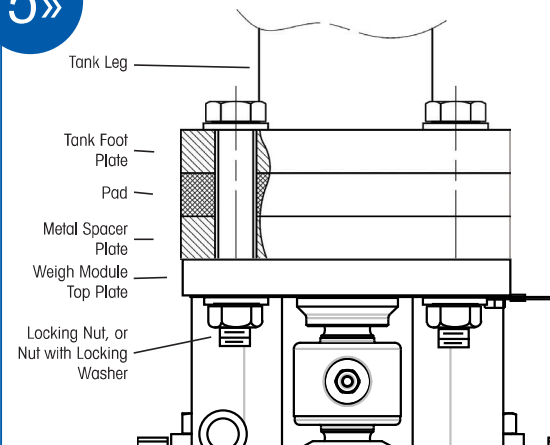


Use SafeLock™ Centering Washer and SafeLock™ Locking Plate.



Mounting Optional Pads

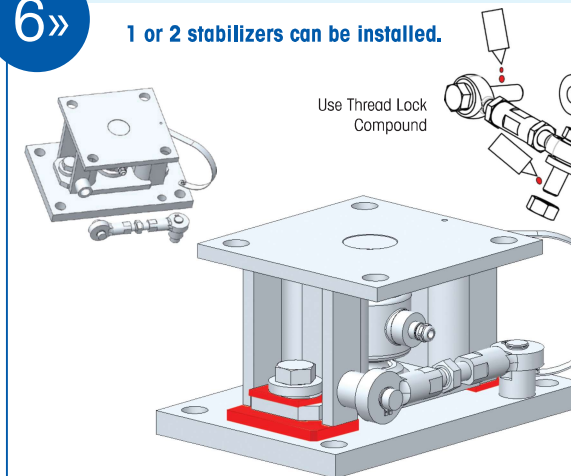
5»



Mounting Optional Stabilizer

6»

1 or 2 stabilizers can be installed.





Download Installation Guide:
Installation Guide is available in:
English, German, Spanish, French,
Italian, Dutch, Portuguese, Swedish,
Danish, Norwegian, Polish, Czech,
Hungarian, Russian, Turkish



Download Installation Guide:
Installation Guide is available in:
English, German, Spanish, French,
Italian, Dutch, Portuguese, Swedish,
Danish, Norwegian, Polish, Czech,
Hungarian, Russian, Turkish

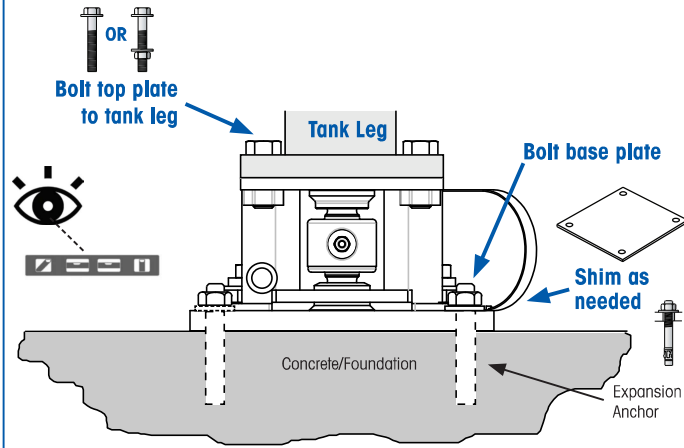
► www.mt.com/ind-downloads-pinmount

► www.mt.com/ind-downloads-615power

Options for Securing the Weigh Modules

7»

BOLT the weigh module:

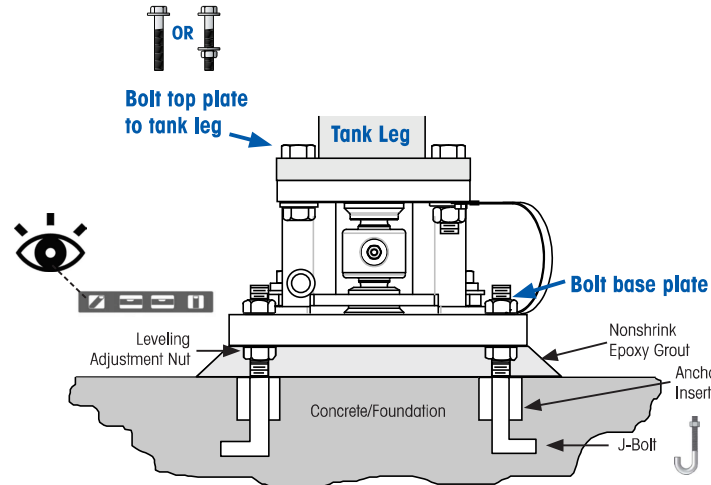


Mounting plate surface must be level to $1/2^\circ$ or 1mm (1/16")
100mm (6")

All weigh modules must be in the same plane within 3mm (1/8").

- OR -

LEVEL AND GROUT the weigh module:



- OR -

WELD the weigh module:



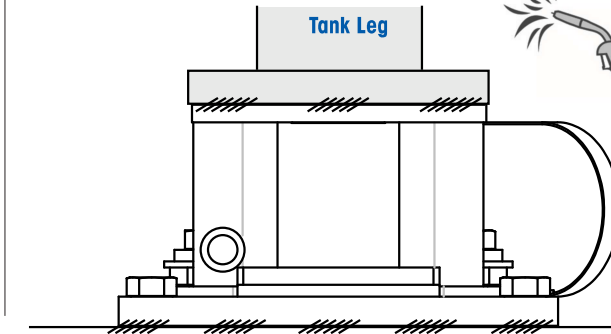
- Remove load cell from weigh module before welding.
- Ground wire of welder must be as close to the weld seam as possible to ensure proper grounding.



Contact authorized METTLER TOLEDO technician for proper removal and re-installation of load cells.

Weld pitch: 3" / 75mm, 2" / 50 mm between welds on all four sides

Weld sizes:	7.5-22t modules	20-50t modules	90t-100t modules
	0.24" / 6mm fillet	0.32" / 8mm fillet	0.47" / 12mm fillet
	1" / 25mm long	1" / 25 mm long	1" / 25mm long



Installation Tips and Precautions:

- Never cut the load cell's cable or extend its length.
- Avoid moisture and dust.
- Ensure voltage stability – use a regulated power supply.
- Avoid overload and shock.
- Ensure good grounding.
- For hazardous area installations in Europe, refer to the enclosed instructions (30104376 / 175389R).



Contact authorized METTLER TOLEDO service technician to activate the weigh modules for startup and calibration.

Contact Information:

► www.mt.com/contact