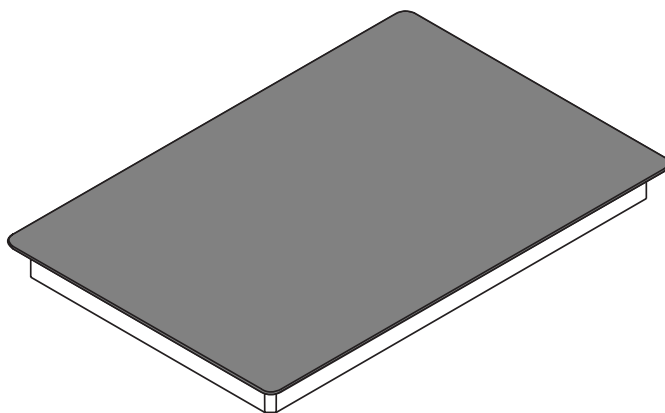




USER MANUAL
HƯỚNG DẪN SỬ DỤNG

MODEL: MI-784 ITG



Caution

This instruction handbook is conserved together with the *Integra b20* for future consultation. If the equipment is sold or transferred to another person, make certain the instruction handbook is supplied together with it, so that the new user can become aware of the operation of the cooker hood and related warnings. These warnings have been compiled for your safety and the safety of others. Please take the time to read them carefully before installing and using the equipment. Be sure to also consult the drawings in the front pages, including the alphabetic and numeric references in the text descriptions. Closely follow the instructions in this manual. The manufacturer declines all responsibility for any inconveniences, damage or fires caused due to non-compliance with the instructions in this manual. The installation and electrical connection must be provided by a qualified service technician. The supplier is not liable for any warranty for damages caused by improper installation or improper use of the appliance. Do not modify or seek to modify the specifications of this appliance.

The cooking top must always be used within the limits of normal domestic use, not for professional use, but simply to prepare and keep dishes warm. Any other use is not allowed. The unit should not be left unsupervised during its operation.

This appliance can be used by children from the age of 8 onwards, and by persons with reduced physical, sensory or mental capabilities, or lack of experience and knowledge, provided they are properly monitored, or if they have been instructed in the safe use of the appliance and are aware of related dangers.

Children must not be allowed to play with the appliance.

Make use of the locking device to prevent children from accidentally turning on the device, or modifying its functions. The unit should not be left unsupervised during its operation.

Do not control the cooking top using a remote timer.

The unit should not be left unsupervised during its operation. Make certain children at home are prevented from toppling hot pots and pans to the floor. Turn the handles and knobs of pots and pans to the side on the cooking top, so that they are above the cooking top, and to prevent the risk of burns.

For safety reasons, the cooking top must be used only after having been installed in its recessed housing.

Prior to proceeding with the installation, check to make sure there are no visible signs of damage to the cooking top. Never start up a damaged unit, as it may pose a safety risk.

Cleaning and maintenance must not be carried out by children without proper supervision.

If the power cord is damaged, it must be replaced by a qualified service centre or technician only.

The electrical installation must have a breaker upstream from the appliance which ensures that all poles are disconnected with a contact gap of at least 3mm.

CAUTION: The hob protection devices must be only those designed by the appliance manufacturer or those indicated as suitable in the manufacturers instructions or the hob protection devices incorporated in the appliance.

The use of inappropriate protection devices may provoke accidents.

During the installation the equipment must be connected to a power source whose system impedance is matched to a value of $0.005+j0.005[\text{Ohm}]$.

Do not seal the area between the glass and the worktop with silicone because should the cooktop need to be replaced, the glass could break during removal.

The unit's installation and electrical connection to the power grid must be carried out by qualified service technicians only. The device's electrical safety can be guaranteed solely if a regular ground connection is provided for the cooking top. If in doubt, have the electrical system checked by a qualified electrician. Do not connect the cooking top to the mains using extension cords or multiple sockets, since they will not guarantee the required safety (e.g. risk of overheating). Prior to connecting the cooktop, compare the connection specifications (voltage and frequency) indicated on the unit's identification nameplate with those of the mains electricity supply. These specifications must absolutely correspond, otherwise the unit may be subject to damage. Contact an electrician if in doubt.

Disconnect the unit from the mains when carrying out installation work, maintenance or repairs.

Comply with all air discharge regulations.

CAUTION: If the surface is cracked, switch off the appliance to avoid the possibility of electric shock.

Never open unit's outer casing. Any contact with live parts or the modification of electrical or mechanical parts can cause operating abnormalities.

The induction hob should not be used as a work surface. The rough underside of food containers can scratch the surface of the cooktop.

Always keep the cooking areas and underside of food containers perfectly dry.

Fire hazard

Oil and grease that are too hot will catch fire quickly.

Do not leave overheated oil or grease unsupervised.

If oil or grease should catch fire, do not attempt to put out the flames with water. Extinguish the flames with a lid or plate, or with a fireproof blanket. Turn off the cooking zone. Never place flammable items on the hob.

WARNING: Fire hazard: do not leave objects on the cooking surface.

Burn hazard

CAUTION: This appliance and its accessible parts become very hot during use.

Pay attention to avoid touching the heating elements.

Kee children under 8 years of age away from the appliance, unless they are continually monitored.

Do not place objects such as knives, forks, spoons or lids on the induction top, as they may overheat.

Do not heat closed containers, such as tin receptacles, on the cooking top. The excess pressure generated could blow up the container.

Suitable food containers

Only ferromagnetic containers are suitable for induction cooking; the following receptacles, in particular, are suitable: enamelled steel, cast iron, special dishes for induction cooking in stainless steel.

Use only pots and pans with a smooth bottom. Do not introduce any objects between the bottom of the pot and the glass ceramic surface, such as adapters.

Cooking zone	Minimum diameter	Maximum recommended diameter
1	210-190 mm (Booster power)	200mm*
2	210-190 mm (Booster power)	200mm*
3	210-190 mm (Booster power)	200mm*
4	210-190 mm (Booster power)	200mm*

* the maximum recommended diameter corresponds to the diameter of the cooking zone; pots of a greater diameter can be used but the heat will spread much less uniformly.

To find whether receptacles are suitable, check whether they are attracted by a magnet.

Another type of special receptacle exists for induction cooking, with a bottom that is not entirely ferromagnetic.

Non-suitable food containers

Never use recipients made of: normal finegrained steel, glass, pottery, copper and aluminium. Do not place empty containers on the cooking zone, as they may cause damage.

Do not place hot recipients on the control panel, in the area of the pilot lights or on the edge of the cooking top, as they may cause damage.

Danger of mishaps

Pots from which liquids have completely evaporated can cause damage to the glass ceramic top, for which the manufacturer does not assume any responsibility.

The appliance is equipped with a cooling fan. If a drawer is set under the recessed hob, a suitable distance must be ensured between the contents of the drawer and the lower part of the unit, in order to avoid compromising ventilation.

The worktop should be flat and horizontal. The furniture should be cut to measure before installing the appliance. Remove any chips to avoid compromising the operation of electrical components.

Considering the ventilation of the cooktop, the following must be provided:

-if the cooktop is installed above a drawer, leave a 65 mm space between the drawer and the top of the cooktop (fig.1).

Do not store small objects or sheets of paper in the drawer under the cooking hob, since such objects may be aspirated and could break the fan, thus hindering the unit's cooling; likewise, do not store metal or inflammable objects, which could become very hot or catch fire.

If the cooking hob is assembled behind a cabinet door, power it on only with the door left open. Close the cabinet door only if the appliance and residual heat indicator lights are off.

If the unit is assembled above an oven or an electric pyrolytic stovetop, it should not be operated while the pyrolytic process is ongoing, as it can trigger the cooktop's overheating protection.

The cooktop should not be installed above dishwashers because the steam released by the latter may lead to faulty operation of the electronic circuit of the cooktop.

Do not make use of any steam devices, as steam can reach the appliance's live parts and cause a short circuit.

Any interventions or repairs on the unit during the warranty period must be carried out solely by the manufacturer's authorised service centre; conversely, the warranty will be invalidated and terminated immediately. The manufacturer will not recognise any warranties under any circumstances for any problems subsequently encountered.

Replace any defective or damaged parts with original spare parts: only original spare parts can ensure compliance with safety standards.

Notice to persons with pacemakers: keep in mind that an electromagnetic field is generated in the immediate vicinity of the unit while it is in operation.

The possibility that the pacemaker's operation may be affected is very remote. If in doubt, contact the pacemaker manufacturer or your doctor.

After use, turn off the cooking hob through its control device and do not rely on the cookware detector.

Noise emissions

Induction can generate slight noise emissions, which can vary depending on the material, type of pot and power setting selected.

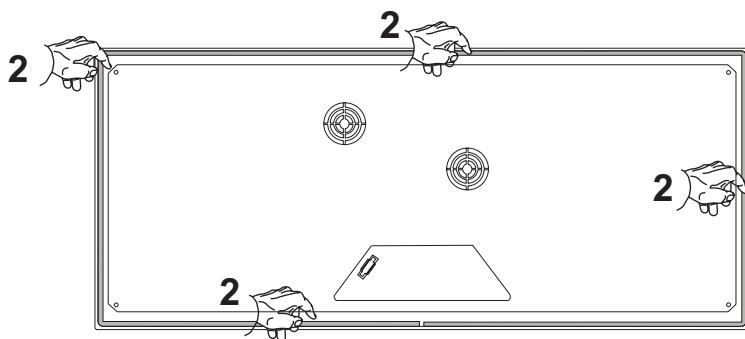
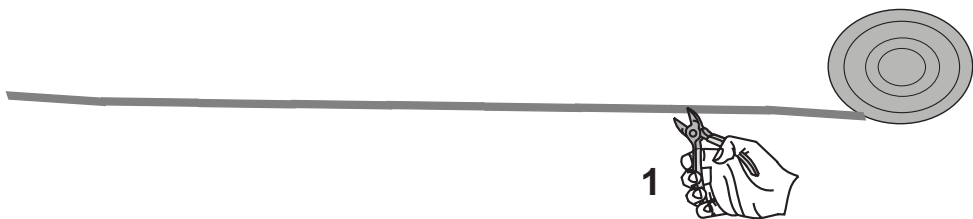
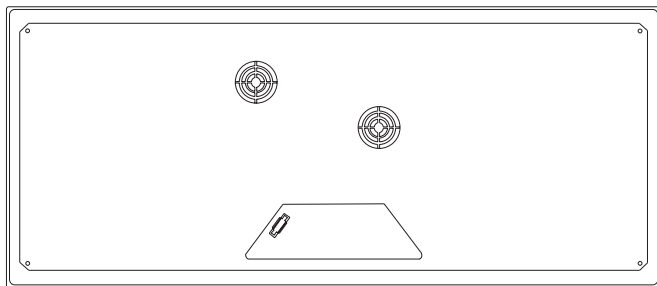
When the cooktop is used frequently, the cooling fan turns itself on to protect the electronics, generating a buzzing sound: this is perfectly normal.

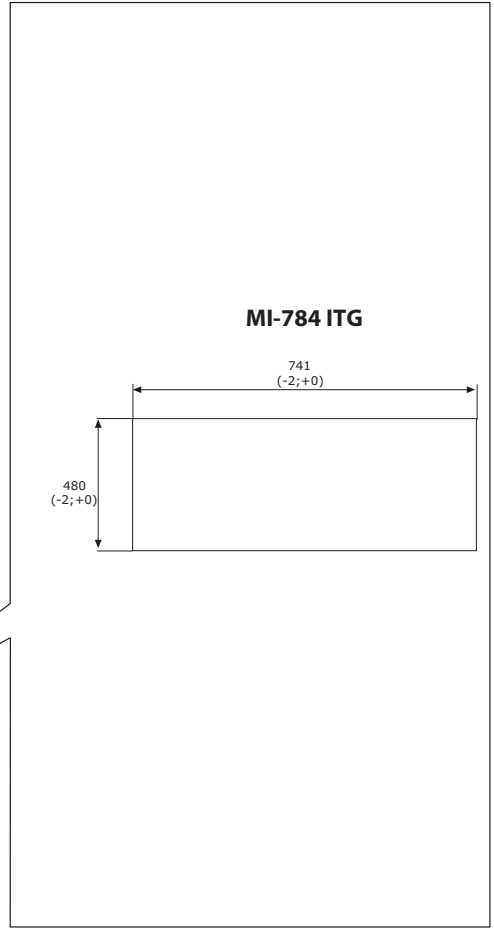
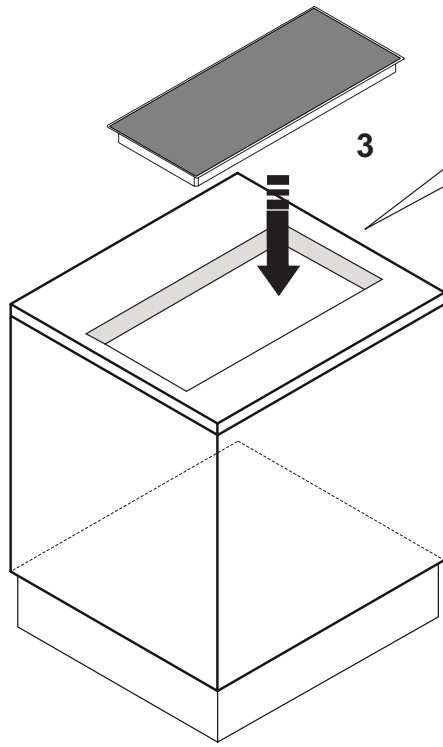
First usage

Use a damp cloth to clean and dry the cooktop before using it for the first time.

It is recommended to dry the appliance after having cleaned it with a damp cloth, in order to prevent the build-up of limescale.

When the unit is powered on for the first time, odours or fumes may be generated. The odour will diminish with each subsequent use, until it disappears altogether. Odours and any fumes are not caused by a faulty connection or damage to the appliance, and are not hazardous to health.





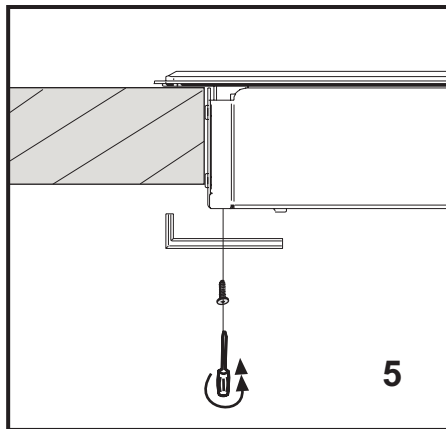
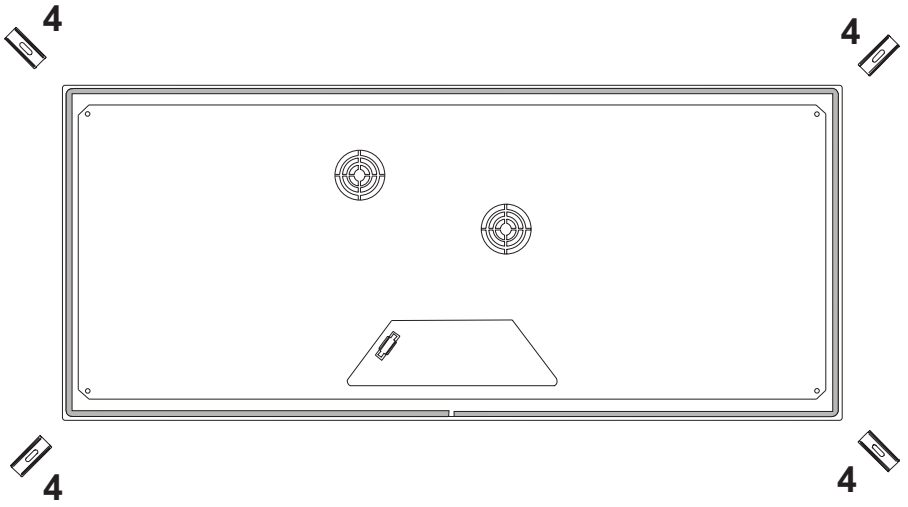


Fig.1

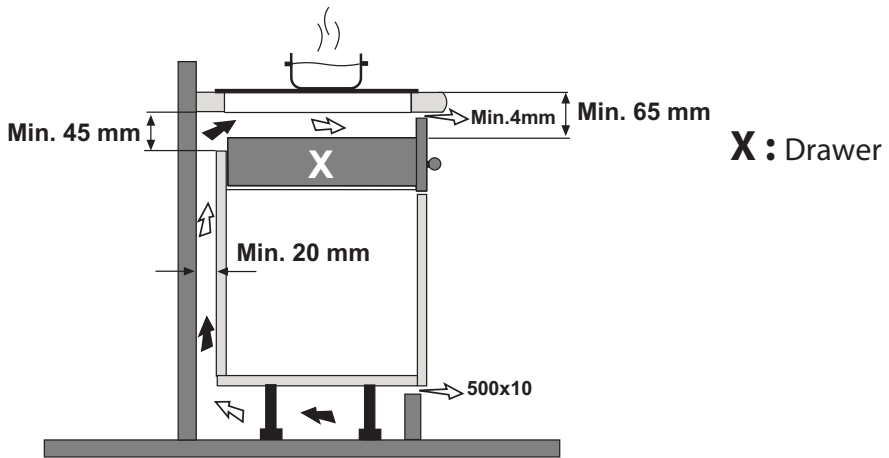
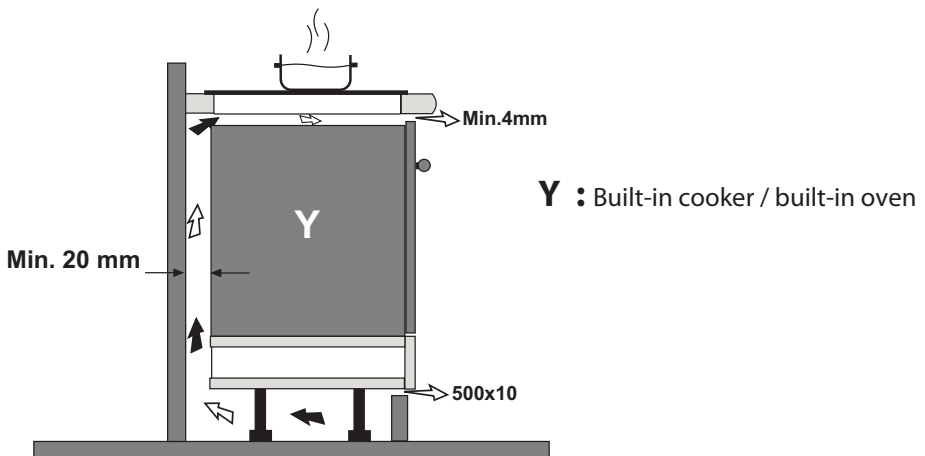


Fig.2



Switching on the cooktop

Aspira is equipped with touch sensitive electronic sensor keys.

Switch on the cooktop firstly, and then the desired cooking zone.

Activating the desired cooking zones

Press the power button  for at least 2 seconds.

All of the displays will light up. If no other inputs are provided, after a few seconds the cooktop will automatically shut itself off for safety reasons.

Touch the key button for the desired cooking zone. 

The display will show "0"; press + or – to select the desired power setting, ranging from 1 to P

P: indicates the **Booster** function, and is present on each of the cooking zones. To activate it, press the + key to get to power setting 9, then press the key once more. This function will remain active for 5 minutes, after which the system will reset itself to power setting 9. This function is recommended to bring water to the boil more quickly.

Pot Detection

If no pots or receptacles are placed or recognised on the various cooking zones, the pot detection function will indicate this condition with the symbol "u".

Set a pot or pan of a suitable diameter and material onto the cooking zones, as described in the section on suitable cooking containers.

The cooking zone will switch off automatically after 10 minutes if no pot is recognised.

Switching off the cooktop and residual heat indication

Touch the power button. 

The main indicator light and cooking zone lights will switch off. The cooktop is now powered off. The residual heat indicator, displayed as a H on each cooking zone, will remain lit until these zones have not sufficiently cooled down.

Warning: risk of burns

Do not touch a cooking zone for which the indication (H) appears.

If a cooking zone remains lit for too long at the same power level, the appliance will automatically switch it off, and the residual heat indicator H will appear. Switch it back on to reset the cooking zone's operation.

The table below lists the maximum uninterrupted operating time for each power level:

Power	Operating limit in minutes
1	520
2	402
3	318
4	260
5	212
6	170
7	139
8	113
9	90
P	5

Timer

The timer function can be set from 1 to 99 minutes on each cooking zone.

To activate the timer: select a cooking zone and set the desired power level, then simultaneously press the + and - keys, and press + or - to set the desired minutes. A buzzer will sound of 2 minutes duration will indicate the end of the time setting, and the cooking zone will switch off automatically.

Countdown

The countdown function can be set from 1 to 99 minutes, but contrary to the timer it does not switch off the cooking zone.

The end of the minutes set will be given by an acoustic signal.

With the hob on: without selecting a cooking zone, simultaneously press keys + and -, then use + or - to set the desired minutes.

Once set, it continues to work also having switched off the hob until the minutes set end.

Child-Lock safety function

The cooktop is equipped with a safety-lock to ensure that it is not inadvertently switched on by children. It can be activated only if the cooking zones have not been selected. To enable the Child

Lock function: touch the power button, then simultaneously press the button that indicates the cooking zone at the lower right, followed by the – key; press the button that indicates the cooking zone at the lower right once again. Once the Child Lock function has been enabled, the symbol L will appear on the display. To disable the Child Lock function: touch the power button, then simultaneously press the button that indicates the cooking zone at the lower right, followed by the – key; press the – key once again.

Bridged mode

The Bridge function allows use of two cooking zones simultaneously as if they were one, allowing use of fairly big saucepans to cover two adjoining cooking zones.

To activate this function, simultaneously select two adjoining cooking zones; on one of the two the symbol (8) appears while on the other, the cooking power is displayed which must be set using the + and - keys.

To disable the Bridge function, simultaneously press a second time the keys in the two cooking zones.

ATTENTION: the Bridge function can only be activated on two zones on the left and/or on two zones on the right, while it cannot be activated on the two central zones.

If the bridge function is on, only one booster can be on, and only on the cooking zones that are not in Bridged mode.

TLC



1



2



3



4



5

1: On/Off motor

2: - motor

3: On/Off

4: + motor

5: On/Off light

Note: the LED on the hood indicates the various speeds: green 1st speed, orange 2nd speed, red 3rd speed and flashing red 4th speed.„If the remote control unit is changed, the appliance must be reset to the frequency of the new unit as follows:

Initialization procedure:

1. Cut off power to the hood
2. Power the hood again
- 3.(the control must be turned on via key 3)
 - Within the first 5 sec, press the light button and release it after the lights turn on.
4. Within 5 sec, press the motor key and release it

Now you have to wait for about 10 seconds – then you can use the hood normally.

Notes: after 4 hours from the last use of a key, the hood turns off automatically.

Should there be interferences with other nearby remote controls, carry out the code change procedure.

Should it be required to replace the radio control, the frequency of the electronic system of the new radio control must be calibrated again via the initialization procedure.

Procedure for generating a new code for the cooktop.

The radio control is supplied with default codes. If you want to generate new random codes, proceed as follows: remove and restore power to the cooktop, within 5 seconds press simultaneously the two plus and minus keys for at least 10 seconds; the LED will turn on, then press the two keys again (within 3 seconds). The LED flashes three times to indicate that the operation has been completed. Once you changed the radio control you must run again the initialization procedure.

Cooking top

The cooking top must be cleaned after each use. Allow the appliance to cool before cleaning it.

Prior to cleaning the ceramic glass cooking hob, it is advisable to activate the Child Lock function, so that the cooking top is not switched on accidentally (see Child Lock function).

Use only cleaning products specially formulated for ceramic glass cooking tops. Respect all indications on the product packaging.

Do not use the following cleaning products, as they may cause damage to the surfaces of the ceramic glass cooking top:

- softeners or products for eliminating stains and/or rust;
- dishwashing and/or dishwasher detergents;
- detergents for glass;
- detergents containing soda, ammonium, acids or chlorides;
- any abrasive detergent, sponge or brush;
- solvents;
- dirt removing rubber erasers;
- pointed objects;
- oven or grill cleaning products;
- any steam device, as steam can reach the appliance's live parts and cause a short circuit.

To prevent damaging the cooking top frame, observe the following guidelines:

- Use hot water only, with little soap;
- Never use pointed utensils or abrasive products;
- Do use a window scraping tool.

Any cooking or dirt residue should be removed with a window scraping tool. Be careful when using scraping tools to avoid injury.

If sugar or food preparations containing sugar, plastic or aluminium foil end up on the hot cooking top, it is advisable to switch it off. Remove these substances immediately from the cooking zone, even if the cooking top is still hot, using a scraper; otherwise these substances can damage the ceramic glass top when cooling down.

(Warning: burn hazard!!!) Lastly, clean the cooking zone when it has cooled.


The symbols on the cooking top can wear out as a result of using abrasive or aggressive detergents, steel wool, and the scraping of pots and pans. Avoid using these cleaning products. In any case, this will not in any way compromise the unit's correct operation.

Note: all of the problem issues described in this section are solely of an aesthetic nature and do not in any way affect the appliance's correct operation. They cannot be restored under the warranty.

TABLE OF COOKING TOP ERRORS

These errors appear on the cooking top display.

Error code	Description	Possible causes	Solution
C, E, C flashing, E flashing or - symbol	If the display in one of the cooking zones shows one of these symbols, an intervention has occurred or is occurring in the system's basic configurations.	Problems or changes detected to the system's basic configurations.	Contact the authorised service centre, specifying the error code.
E2	Excessive temperature on the cooking zone.	Overheated pot.	Allow the system to cool down, decreasing the power or removing the pot.*
E3	Malfunction due to the use of inappropriate cookware materials.	Pots of inappropriate material or possible loss of magnetic properties at higher temperature.	Use pots of a suitable material or replace them.*
E4, E5, E6, E7, E8, E9, EA, EC, EH,	Hardware fault	Hardware errors detected	Contact the authorised service centre, specifying the error code.
No display / Function	Voltage or touch control error.	Faulty electrical connection or faulty component.	Contact the authorised service centre, specifying the error code.
<u>u</u>	Pot not detected	Inappropriate cooking pot	Use a suitable pot. Refer to the section of the manual on suitable recipients.*
Er31, Er47, Er22, Er20 or segments on the display lighting up cyclically	Touch control fault	Touch control error detected	Contact the authorised service centre, specifying the error code.

Er03 or 	Continuous activation of one of the control keys; the control switches off after 10 seconds.	Liquid or pot on the control zone	Dry and clean the glass or remove the pot from the control zone.
The power returns to level 0		Fault detected on a hardware component	Contact the authorised service centre, specifying the error code.
L	No error! Child Lock enabled		Disable the Child Lock function: refer to the section of the manual

* If the error persists, contact your authorised service centre, specifying the error code.

CHÚ Ý

Vui lòng đọc kỹ hướng dẫn sử dụng trước khi sử dụng. Nếu thiết bị được chuyển nhượng cho người khác, đảm bảo rằng cuốn sổ tay này cũng được đi cùng với thiết bị, để người sử dụng mới có thể nắm vững hoạt động của bếp cũng như những cảnh báo liên quan. Những cảnh báo này được biên soạn cho sự an toàn của bạn cũng như sự an toàn của những người khác. Xin dành thời gian để đọc hướng dẫn thật kỹ trước khi lắp đặt và sử dụng thiết bị. Hãy đảm bảo tham khảo hình vẽ ở trang bìa, bao gồm tham chiếu chữ và số được mô tả trong văn bản. Theo sát hướng dẫn sử dụng trong sổ tay này. Nhà sản xuất từ chối mọi trách nhiệm đối với bất kỳ vấn đề sử dụng sai, hư hỏng hoặc hỏa hoạn do không tuân thủ theo hướng dẫn sử dụng này. Lắp đặt và kết nối điện phải được thực hiện bởi nhân viên kỹ thuật. Nhà cung cấp không chịu trách nhiệm với bất kỳ sự đảm bảo nào đối với những thiệt hại do lắp đặt hoặc sử dụng thiết bị không đúng cách. Không sửa đổi hoặc tìm cách sửa đổi các chi tiết của thiết bị.

Bếp được sử dụng với mục đích trong thiết bị gia dụng, không sử dụng cho mục đích chuyên

nghiệp, mà chỉ đơn giản là sử dụng để chuẩn bị và giữ ấm các món ăn. Không cho phép sử dụng cho mục đích khác. Luôn giám sát bếp trong suốt quá trình sử dụng.

Thiết bị này có thể được sử dụng bởi trẻ 8 tuổi trở lên, người suy giảm về thể chất, cảm giác và tinh thần, hoặc thiếu kiến thức và kinh nghiệm, miễn là bếp được theo dõi đúng cách hoặc nếu họ được hướng dẫn sử dụng an toàn thiết bị và những nguy hiểm có liên quan.

Trẻ em không được chơi với thiết bị khi không có sự giám sát của người lớn.

Sử dụng thiết bị khóa để ngăn trẻ vô tình bật thiết bị, hoặc thay đổi những chức năng của thiết bị. Luôn giám sát thiết bị trong quá trình hoạt động.

Không điều khiển bếp bằng điều khiển hẹn giờ từ xa.

Thiết bị nên được giám sát trong suốt quá trình hoạt động. Không nên cho trẻ em chạm vào nồi chảo đang nóng. Xoay cán nồi và chảo vào bên trong mặt bếp để tránh nguy cơ bị bỏng.

Vì lý do an toàn, bếp chỉ được sử dụng sau khi lắp đặt hoàn thiện.

Trước khi tiến hành lắp đặt, kiểm tra để đảm bảo rằng bếp được hoạt động an toàn. Không được khởi động thiết bị hỏng, vì bếp có thể gây nguy hiểm.

Vệ sinh và bảo trì không được thực hiện bởi trẻ em nếu không có sự giám sát của người lớn.

Nếu dây nguồn bị hỏng, nó phải được thay thế bởi trung tâm chăm sóc khách hàng hoặc nhân viên kỹ thuật.

CHÚ Ý: Các thiết bị bảo vệ bếp phải là các thiết bị được chỉ ra là phù hợp với hướng dẫn của nhà sản xuất hoặc các thiết bị bảo vệ bếp có trong thiết bị.

Việc sử dụng các thiết bị bảo vệ không thích hợp có thể gây nguy hiểm.

Trong quá trình lắp đặt thiết bị phải được kết nối với nguồn điện có điện trở của hệ thống được kết hợp với một giá trị $0.005+j0.005[\text{Ohm}]$.

Không gắn kính và mặt bàn bằng silicone vì phải thay thế kính, kính có thể bị vỡ khi tháo kính. Việc lắp đặt và các kết nối điện với lưới điện phải được thực hiện bởi nhân viên kỹ thuật. Sự an toàn về điện của thiết bị nên được nối đất. Nếu nghi ngờ, hãy kiểm tra hệ thống điện bởi nhân viên kỹ thuật điện.

Trước khi kết nối bếp, hãy so sánh đặc điểm kết nối (điện áp và tần số) được chỉ ra trên bảng số nhận dạng với nguồn cung cấp điện chính.

Các đặc điểm kỹ thuật phải an toàn tương ứng với thông số kỹ thuật. Liên hệ với nhân viên kỹ thuật nếu nghi ngờ.

Ngắt kết nối thiết bị với nguồn điện chính khi thi công, lắp đặt, bảo trì hoặc sửa chữa.

CHÚ Ý: Nếu bề mặt kính bị nứt, gỡ phích cắm của thiết bị để tránh rò rỉ điện.

Không tháo vỏ ngoài của bếp. Bất kỳ bộ phận trực tiếp hoặc sửa đổi các bộ phận hoặc linh kiện về điện, cơ khí sẽ có thể dẫn đến hoạt động bất thường của thiết bị.

Bếp điện từ không nên được sử dụng để kê, đỡ hay làm bất cứ việc gì trên mặt bếp. Phần đáy của vật chứa thức ăn có thể làm xước mặt bếp.

Luôn giữ cho vùng nấu và đáy của nồi chảo luôn khô ráo.

Hỏa hoạn

Dầu mỡ nóng sẽ rất dễ bắt lửa nhanh.

Không để dầu mỡ quá nóng mà không được giám sát.

Nếu dầu mỡ bốc cháy, không cố gắng dập lửa bằng nước. Dập lửa bằng vật có nắp đậy hoặc tấm chống lửa. Tắt bếp. Không đặt vật dễ cháy lên bếp.

CẢNH BÁO: Hỏa hoạn: không để đồ vật gì lên bề mặt bếp.

CHÚ Ý: Thiết bị này và các bộ phận của nó sẽ trở nên rất nóng trong quá trình sử dụng.

Chú ý tránh chạm vào bộ phận nóng.

Giữ trẻ dưới 8 tuổi tránh xa khỏi thiết bị, trừ khi chúng được theo sát.

Không đặt những vật như dao, muỗng, nĩa, lên bề mặt bếp từ vì chúng có thể sẽ rất nóng.

Không dùng các bình chứa khí, chẳng hạn như hộp thiếc trên bề mặt nấu. Áp suất dư tạo ra có thể làm nổ hộp chứa.

Nồi Phù Hợp

Đáy nồi sử dụng thép nhiễm từ thích hợp cho bếp điện từ; đặc biệt là những nồi sau đây phù hợp: thép tráng men, gang, nồi đặc biệt dành cho bếp từ bằng thép không gỉ. Chỉ sử dụng nồi và chảo có mặt nhẵn. Không được đưa bất kỳ vật gì vào giữa nồi và mặt kính ceramic, như các bộ tiếp hợp.

Khu Vực Nấu	Đường kính tối thiểu	Đường kính tối thiểu kiến nghị
1	210-190 mm (Booster power)	200mm*
2	210-190 mm (Booster power)	200mm*
3	210-190 mm (Booster power)	200mm*
4	210-190 mm (Booster power)	200mm*

*Đường kính khuyến nghị tối đa tương ứng với đường kính của khu vực nấu; đường kính nồi lớn hơn có thể sử dụng được nhưng nhiệt sẽ phân bố không đều.

Để tìm xem nồi nào phù hợp, kiểm tra xem đáy nồi có hút với nam châm hay không.

Một loại đặc biệt khác có thể chấp nhận sử dụng với bếp điện từ, với toàn bộ đáy là sắt từ.

Nồi Không Phù Hợp

Không sử dụng nồi bằng: thép không nhiễm từ, thủy tinh, gốm, đồng và nhôm. Không đặt nồi không chứa thức ăn vào khu vực nấu vì chúng có thể gây hư hỏng.
Không đặt nồi nóng lên bảng điều khiển, trong khu vực đèn báo và ngay mép bếp vì chúng có thể gây hư hỏng.

Nguy Hiểm

Nồi chảo bị cạn nước kéo dài trong quá trình đun, nấu có thể gây ra thiệt hại cho mặt kính ceramic, nhà sản xuất sẽ không chịu trách nhiệm về việc này.

Thiết bị được trang bị quạt tản nhiệt. Nếu khoang bếp được đặt dưới bếp lõm, phải đảm bảo khoảng cách thích hợp giữa ngăn chứa và phần thấp của thiết bị để tránh việc cản trở không khí lưu thông.

Bề mặt tủ bếp nên nhẵn và cân bằng. Mặt đá phải được cắt đúng kích thước trước khi lắp đặt thiết bị. Loại bỏ những mảnh vụn vỏ tiện để tránh ảnh hưởng đến thành phần điện.

Sự lưu thông không khí của mặt bếp, phải theo những tiêu chuẩn sau đây:

-nếu mặt bếp được lắp đặt trên ngăn kéo, khoảng cách giữa ngăn kéo và mặt bếp là 65mm. (hình 1)

Không lưu trữ các vật nhỏ hoặc tờ giấy trong ngăn bếp, vì các vật thể đó có thể bị hút và nấu làm vỡ quạt, do đó cản trở tản nhiệt của bếp; tương tự, không lưu trữ kim loại hoặc các vật dễ cháy, vì chúng có thể trở nên rất nóng và bắt lửa.

Nếu bếp được lắp sau cửa tủ, chỉ vận hành bếp khi cửa mở. Chỉ đóng cửa tủ khi thiết bị và đèn báo dư nhiệt tắt.

Nếu thiết bị được lắp đặt trên một lò nướng hoặc mặt lò nhiệt điện phân, không nên vận hành trong khi quá trình nhiệt phân đang diễn ra, vì nó có thể kích hoạt quá trình bảo toàn nhiệt của bếp.

Mặt bếp không nên được lắp đặt phía trên bồn rửa chén vì nước có thể bốc hơi dẫn đến hoạt động sai và ảnh hưởng đến bếp.

Không sử dụng bất kì thiết bị hơi nước nào, vì hơi nước có thể tiếp cận các bộ phận đang hoạt động và gây chập mạch.

Bất kỳ sự can thiệp hoặc sửa chữa thiết bị nào trong thời gian bảo hành phải được thực hiện bởi trung tâm chăm sóc khách hàng được ủy quyền của nhà sản xuất; ngược lại, bảo hành sẽ bị hủy bỏ và chấm dứt ngay lập tức. Nhà sản xuất sẽ không nhận bảo hành trong bất kỳ trường hợp nào đối với vấn đề sau khi tự ý sửa chữa thiết bị.

Thay thế bất kỳ bộ phận hư hỏng nào bằng linh kiện chính hãng: chỉ linh kiện chính hãng mới có thể đảm bảo tuân thủ sự an toàn cho thiết bị.

Lưu ý cho những người sử dụng máy trợ tim: hãy nhớ rằng một trường điện từ được tạo ra trong vùng lân cận của thiết bị trong khi nó vận hành.

Khả năng hoạt động của máy điều hòa nhịp tim có thể bị ảnh hưởng là rất xa. Nếu nghi ngờ, hãy liên hệ với nhà sản xuất máy điều hòa nhịp tim hoặc bác sĩ của bạn.

Sau khi sử dụng, tắt bếp thông qua thiết bị điều khiển và không phụ thuộc vào thiết bị nhận diện nổi.

Tiếng Ổn

Trường điện từ có thể phát ra tiếng ồn nhẹ, nó có thể phụ thuộc vào vật liệu, loại nổi và mức công suất đã chọn.

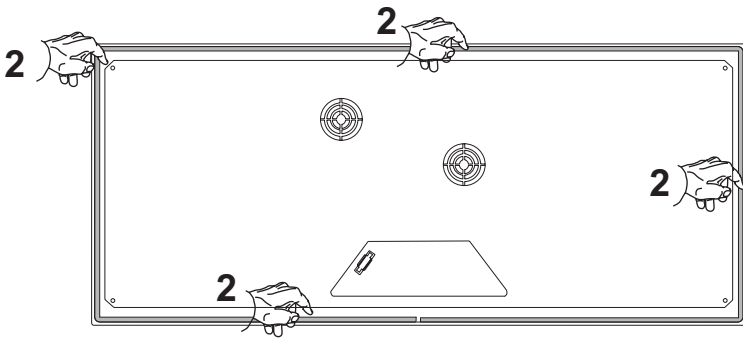
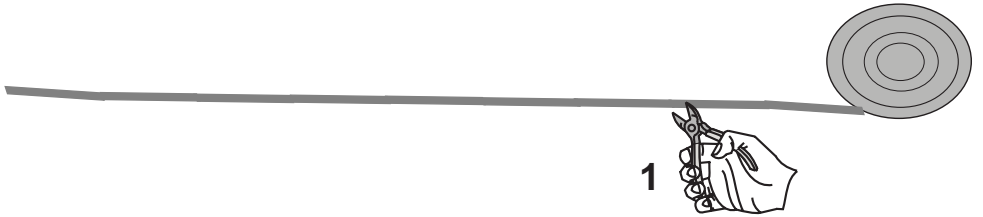
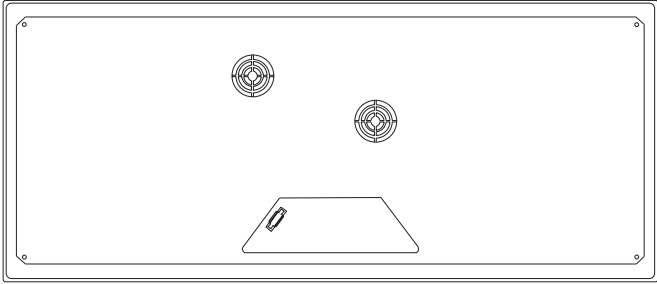
Trong quá trình bếp hoạt động, nhiệt độ bếp tăng, quạt tản nhiệt sẽ tự động hoạt động để bảo vệ thiết bị điện tử, tạo ra tiếng ồn: điều này là bình thường.

Lần Đầu Tiên Sử Dụng

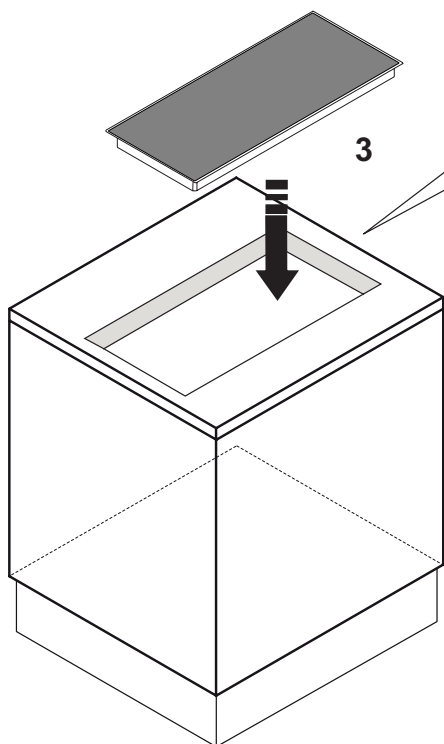
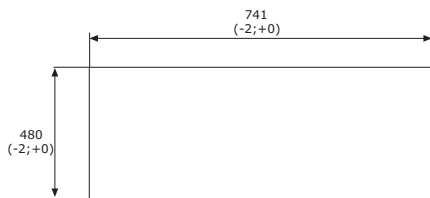
Sử dụng khăn ẩm để lau và làm khô bếp trước khi sử dụng lần đầu tiên.

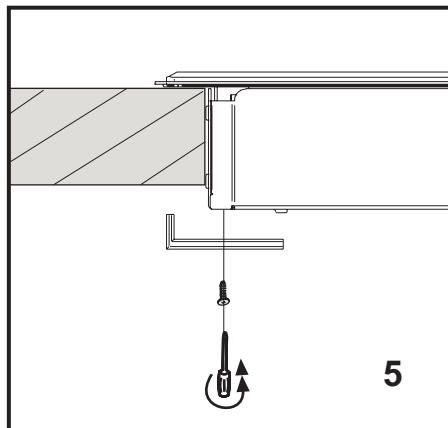
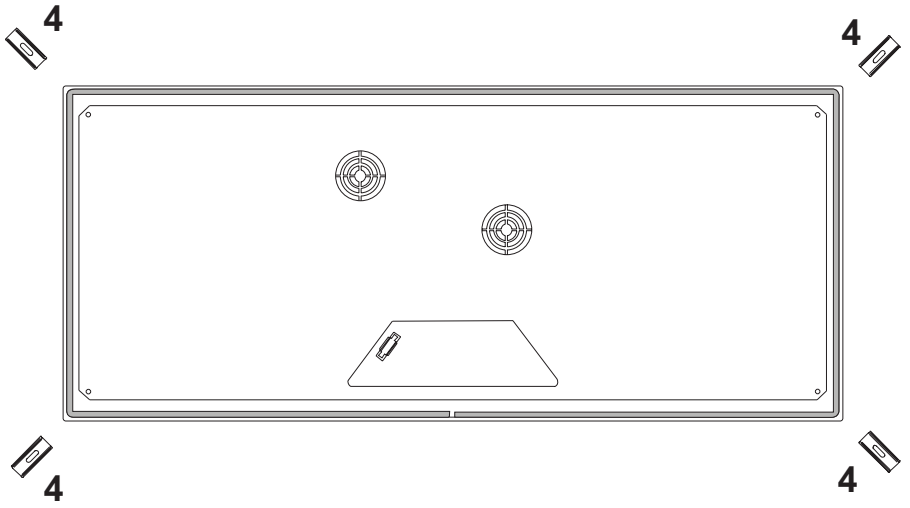
Nên lau khô thiết bị sau khi làm sạch bằng khăn ướt, để ngăn ngừa sự tích tụ vôi hóa.

Khi thiết bị khởi động lần đầu tiên, có thể tạo ra mùi hoặc khói. Mùi sẽ dần biến mất sau vài lần sử dụng, và nó sẽ biến mất hoàn toàn. Mùi và khói không làm ảnh hưởng đến kết nối hay làm hư hại thiết bị, và không gây nguy hiểm cho sức khỏe.

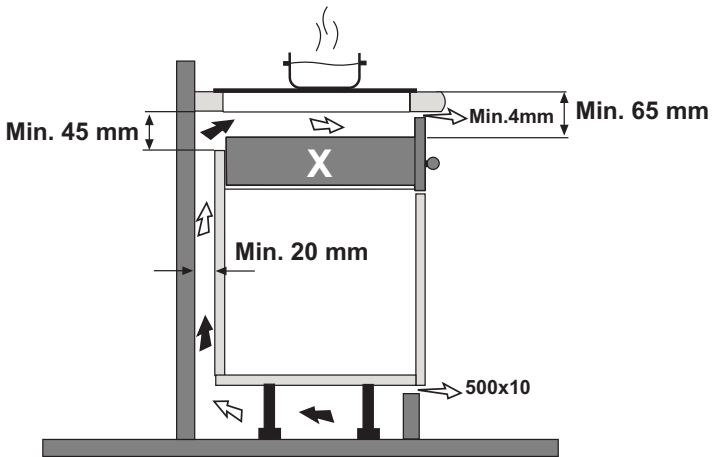


MI-784 ITG



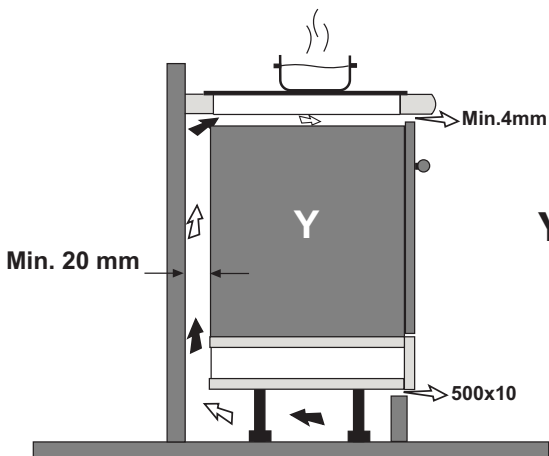


Hình 1



X : Ngăn Kéo

Hình 2



Y : Lò âm tủ

Mở Bếp


Bếp được trang bị các phím cảm biến cảm ứng điện tử.

Chạm phím nguồn lần đầu tiên, và sau đó chọn vùng nấu mong muốn.

Vận Hành Vùng Nấu Mong Muốn

Sau khi nhấn phím nguồn  ít nhất 2 giây.

Toàn màn hình hiển thị sáng đèn, nếu không có vùng nấu nào được thiết lập, sau vài giây bếp sẽ tự động tắt vì lý do an toàn.

Chạm vào phím vùng nấu mong muốn 

Màn hình hiển thị "0": chọn + hoặc - để cài đặt công suất mong muốn, điều chỉnh phạm vi từ 1 đến P.

P: chỉ thị chức năng Booster, có mặt trên mỗi vùng nấu. Để hoạt động chức năng này, nhấn phím + để cài đặt mức độ 9, sau đó nhấn phím thêm lần nữa. Chức năng Booster sẽ hoạt động trong vòng 5 phút, sau đó hệ thống sẽ quay lại mức công suất 9. Chức năng này được khuyến khích đun sôi nước nhanh hơn


Nhận Diện Nồi

Nếu không có nồi hoặc vật chứa nào được đặt hoặc nhận diện trên vùng nấu, chức năng nhận diện nồi sẽ chỉ thị điều kiện với biểu tượng "u".

Chọn nồi và chảo có đường kính và vật liệu thích hợp trên vùng nấu, như đã mô tả trong phần nồi nấu thích hợp.

Vùng nấu sẽ tự động tắt trong 10 giây nếu không có nồi nào được nhận diện.

Tắt bếp và hiển thị dư nhiệt

Chạm vào phím nguồn. symbol 

Đèn báo chính và đèn khu vực nấu sẽ tắt. Mặt bếp tắt. Chỉ báo dư nhiệt được hiển thị ký tự "H" trên mỗi vùng nấu, và sẽ sáng cho đến khi các vùng này chưa được làm nguội hoàn toàn.

Chú ý: Nguy cơ hỏa hoạn

Không chạm vào vùng nấu khi chỉ thị (H) xuất hiện.

Nếu vùng nấu hoạt động trong một thời gian dài ở cùng một mức công suất, thiết bị sẽ tự động tắt, và chỉ thị dư nhiệt H sẽ xuất hiện. Bật lại công tắc để cài đặt lại vận hành vùng nấu. Bảng liệt kê thời gian vận hành tối đa không gián đoạn của mỗi mức công suất:

Công Suất	Giới hạn thời gian vận hành (phút)
1	520
2	402
3	318
4	260
5	212
6	170
7	139
8	113
9	90
P	5

Hẹn Giờ

Chức năng hẹn giờ có thể được cài đặt từ 1 đến 99 phút cho mỗi vùng nấu.

Để vận hành chức năng hẹn giờ: lựa chọn vùng nấu và mức công suất mong muốn, sau đó nhấn đồng thời phím + và phím - để cài đặt thời gian mong muốn. Âm thanh sẽ kêu 2 phút trong thời gian đó hiển thị kết thúc cài đặt thời gian, và vùng nấu sẽ tự động tắt.

Đếm Ngược

Chức năng đếm ngược có thể được cài đặt từ 1 đến 99 phút, nhưng trái với chức năng hẹn giờ là nó không tắt vùng nấu.

Kết thúc thời gian sẽ đưa ra một tín hiệu âm thanh.

Với bếp mở: không chọn vùng nấu, nhấn đồng thời phím + và phím -, sau đó sử dụng phím + và - để cài đặt thời gian mong muốn.

Sau khi thiết lập, bếp tiếp tục hoạt động và bếp sẽ tắt khi thời gian kết thúc.

Chức Năng Khóa An Toàn Trẻ em

● Khóa:

Nhấn phím nguồn.

Nhấn đồng thời chọn vùng nấu bên trái phía dưới và phím (-).

Sau đó nhấn phím chọn bếp bên trái phía dưới.

● Mở khóa:

Nhấn đồng thời phím chọn vùng nấu bên phải phía dưới và phím (-).

Nhấn phím (-) để mở khóa.

Chức Năng Kết Nối Vùng Nấu

Chức năng kết nối vùng nấu cho phép sử dụng đồng thời hai vùng nấu như thể một vùng, cho phép sử dụng một chảo lớn che phủ hai vùng nấu.

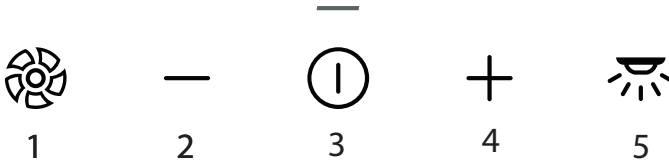
Để kích hoạt chức năng này, lựa chọn đồng thời hai phím chọn hai vùng nấu liền nhau; ký tự “u” ngược sẽ hiển thị, công suất nấu hiển thị phải được thiết lập bằng phím + và -.

Để tắt chức năng bắc cầu, nhấn đồng thời hai phím của hai vùng nấu liền nhau.

CHÚ Ý: chức năng bắc cầu chỉ có thể được kích hoạt trên hai vùng nấu bên trái hoặc hai vùng nấu bên phải, trong khi nó không thể kích hoạt hai vùng ở giữa.

Nếu chức năng bắc cầu mở, chỉ một bộ nấu nhanh được bật, và chỉ trên các vùng nấu không ở chức năng bắc cầu.

Kết Nối Integra



- 1: Tắt/Mở tốc độ
- 2: Giảm công suất hút
- 3: Tắt/Mở bàn phím
- 4: Tăng công suất hút
- 5: Tắt/Mở đèn

Chú ý: đèn LED trên máy hút hiển thị các tốc độ khác nhau: tốc độ thứ nhất xanh lá cây, thứ hai màu cam, thứ ba màu đỏ và thứ tư nhấp nháy màu đỏ. Nếu điều khiển thiết bị từ xa được thay đổi, thiết bị phải được thiết lập lại tần số của thiết bị mới như sau:

Thiết lập quy trình

- 1. Cắt điện của máy hút mùi
- 2. Mở lại nguồn của máy hút mùi
- 3. (điều khiển phải được mở bằng phím 3)

Trong 5 giây đầu tiên, nhấn phím đèn và nhả sau khi đèn mở.

- 4. Trong 5 giây, nhấn và nhả phím nguồn.

Bây giờ bạn chờ khoảng 10 giây – sau khi bạn có thể sử dụng máy hút mùi một cách bình thường.

Chú ý: sau 4 giờ từ khi lần cuối cùng sử dụng phím, máy hút mùi sẽ tự động tắt.

Nếu bị nhiễu với các thiết bị điều khiển từ xa khác, hãy thực hiện thủ tục thay đổi mã.

Nếu cần phải thay thế bộ phận vô tuyến, tần số của của hệ thống điện tử của bộ điều khiển vô tuyến mới phải được hiệu chuẩn lại thông qua thủ tục khởi tạo.

Thủ tục tạo mã mới cho bếp.

Bộ điều khiển vô tuyến được cung cấp với mã mặc định. Nếu bạn muốn tạo mã ngẫu nhiên mới, hãy thực hiện như sau: gỡ bỏ và khôi phục nguồn điện cho bếp, trong 5 giây nhấn đồng thời phím + và phím – trong ít nhất 10 giây; đèn LED bật, sau đó nhấn hai phím lần nữa (trong 3 giây). Đèn LED nhấp nháy 3 lần để hiển thị hoàn tất kích hoạt. Khi bạn thay đổi bộ điều khiển vô tuyến bạn phải chạy lại thủ tục khởi tạo.

Mặt Bếp

Mặt bếp phải được vệ sinh sau mỗi lần sử dụng. Để thiết bị nguội trước khi vệ sinh bếp.

Trước khi vệ sinh mặt kính ceramic, bạn nên kích hoạt chức năng khóa trẻ em, để mặt bếp không được vô tình bật (xem chức năng Khóa trẻ em).

Sử dụng sản phẩm vệ sinh đặc biệt cho mặt kính ceramic. Tôn trọng tất cả các chỉ dẫn trên bao bì sản phẩm.

Không sử dụng các sản phẩm làm sạch sau đây, vì chúng có thể gây hư hỏng bề mặt kính ceramic:

Bất kì sản phẩm hoặc làm mềm để loại bỏ thép và gỉ;

Chất tẩy rửa dùng cho rửa chén và máy rửa chén;

Chất tẩy rửa cho kính;

Chất tẩy rửa có chứa soda, amoni, acid và cloric;

Chất tẩy rửa bằng bột biển, bàn chải và chất mài mòn;

Dung môi;

Miếng chùi vết bẩn sao su;

Vật nhọn;

Sản phẩm vệ sinh lò nướng và vỉ nướng;

Bất kì thiết bị hơi nước nào, nước có thể bốc hơi làm ảnh hưởng đến các linh kiện đang hoạt động gây hư hỏng.

Để tránh làm hư hỏng phần khung trên bếp, hãy làm theo hướng dẫn sau:

Chỉ sử dụng nước ấm, với một ít xà phòng;

Không sử dụng vật nhọn hoặc vật làm mài mòn;

Sử dụng công cụ lau chùi cẩn bám trên cửa sổ.

Bất kì thức ăn hoặc chất bẩn nào nên được loại bỏ bằng công cụ vệ sinh cửa sổ. Hãy cẩn thận khi sử dụng công cụ vệ sinh cửa sổ để tránh bị thương.

Nếu đường hoặc các thực phẩm chế phẩm chứa đường, nhựa hoặc lá nhôm cuối cùng trên mặt bếp nóng, nó được khuyến khích tắt đi. Loại bỏ các vết bẩn ngay lập tức tại vùng nấu, nếu mặt bếp vẫn còn nóng, sử dụng công cụ lau chùi cẩn; nếu không các yếu tố này sẽ làm hỏng mặt kính ceramic khi làm mát.

(Chú ý: hòa hoãn!!!) Cuối cùng, vệ sinh vùng nấu khi nguội.

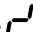
Các biểu tượng trên mặt bếp có thể bị mờ do sử dụng chất tẩy rửa mài mòn, len thép và xẻng của nồi và chảo. Tránh sử dụng những sản phẩm tẩy rửa này. Trong bất kì trường hợp nào, điều này sẽ không làm ảnh hưởng đến hoạt động chính xác của thiết bị.

Chú ý: số lượng vấn đề được mô tả trong phần này chỉ mang tính chất minh họa và không ảnh hưởng đến hoạt động chính xác của thiết bị. Chúng sẽ không thể khôi phục theo chế độ bảo hành.

Bảng Lỗi

Những lỗi xuất hiện trên màn hình mặt bếp..

Mã Lỗi	Mô Tả	Nguyên Nhân	Giải Pháp
Biểu tượng – C, E, C nhấp nháy, E nhấp nháy	Nếu màn hình hiển thị một biểu tượng trong một trong các vùng nấu, một vấn đề đã xảy ra hoặc đang xảy ra trong các cấu hình cơ bản của hệ thống.	Các vấn đề hoặc thay đổi được phát hiện đối với các cấu hình cơ bản của hệ thống.	Liên hệ với trung tâm chăm sóc khách hàng, để xác định mã lỗi.
E2	Nhiệt độ vùng nấu quá cao.	Nồi quá nóng.	Đề hệ thống nguội bớt, giảm công suất hoặc nhắc nồi xuống.*
E3	Sự hư hỏng do sử dụng các dụng cụ làm bếp không phù hợp.	Nồi không thích hợp hoặc có thể bị mất từ tính ở nhiệt độ cao	Sử dụng nồi và thiết bị phù hợp để thay thế chúng.*
E4, E5, E6, E7, E8, E9, EA, EC, EH,	Lỗi phản cứng.	Phát hiện lỗi phản cứng.	Liên hệ với trung tâm chăm sóc khách hàng, để xác định mã lỗi.
Không màn hình hiển thị/Chức năng	Lỗi điện áp hoặc điều khiển cảm ứng.	Lỗi nguồn điện hoặc bộ phận bị lỗi.	Liên hệ với trung tâm chăm sóc khách hàng, để xác định mã lỗi.
u	Không nhận nồi	Nồi không thích hợp	Sử dụng nồi phù hợp. Tham khảo hướng dẫn sử dụng để sử dụng nồi phù hợp.
Er31, Er47, er22, Er20 hoặc các phân đoạn trong màn hình sáng lên theo chu kì	Lỗi điều khiển cảm ứng.	Phát hiện lỗi điều khiển cảm ứng.	Liên hệ với trung tâm chăm sóc khách hàng, để xác định mã lỗi.

Er 03 or 	Liên tục kích hoạt một trong các phím điều khiển; phím điều khiển tắt sau 10 giây.	Chất lỏng hoặc nổi trên vùng kiểm soát.	Lau khô và vệ sinh kính hoặc thay đổi nổi từ vùng kiểm soát.
Công suất trở về mức 0		Phát hiện lỗi phần cứng	Liên hệ với trung tâm chăm sóc khách hàng, để xác định mã lỗi.
L	Không có lỗi! Bật khóa trẻ em		Tắt chức năng khóa trẻ em: xem phần hướng dẫn sử dụng.

**Nếu vẫn còn bị lỗi, liên hệ với trung tâm chăm sóc khách hàng gần bạn, để xác định mã lỗi.