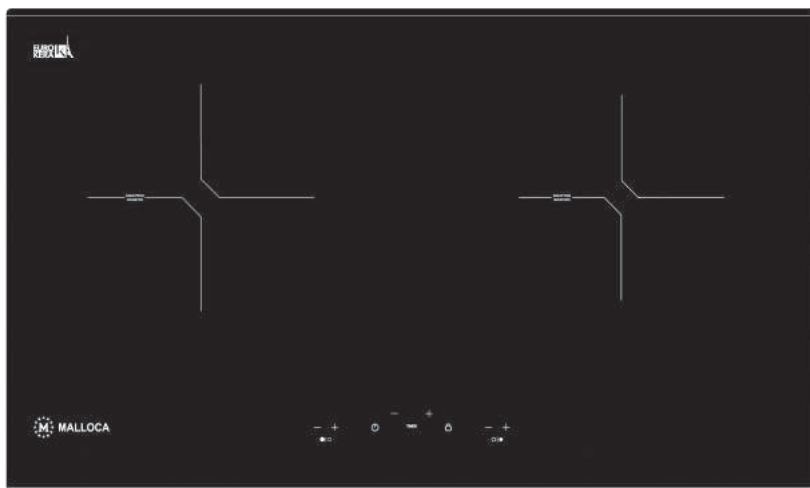




Operating and Installation Instructions



Induction hobs: **MH-02I N**

To avoid the risk of accidents or damage to the appliance it is essential to read these instructions before it is installed and used for the first time.

Contents

Important Safety Instructions.....	04
Cleaning and Care.....	11
Appliance errors.....	12
Safety Instructions for Installation.....	13
Caring for the environment.....	15
Before using for the first time.....	16

MH-02I N

Guide to the hob.....	19
-----------------------	----

INDUCTION

How induction works.....	23
Noises.....	24
Suitable pans.....	25
Use.....	26
Safety Features.....	32
Installation.....	33
Electrical Connection.....	34

Important Safety Instructions

READ THE OPERATING INSTRUCTIONS CAREFULLY BEFORE USING THE HOB

Warning

This hob is intended for residential cooking only. Malloca cannot be held responsible for damage or injury caused by improper use or for uses other than those for which this hob is intended.

When using your hob follow basic safety precautions including the following:

Installation

Be certain your hob is properly installed and grounded by a qualified technician in accordance with national and local safety regulations. Malloca cannot be held responsible for damage caused by incorrect installation or connection.

Do not connect the hob to the main electrical supply using an extension cord. Extension cords do not meet the safety requirements of this hob.

Before servicing, disconnect the hob from the main power supply.

To guarantee the electrical safety of this hob, continuity must exist between the hob and an effective grounding system. It is imperative that this basic safety requirement be met. If there is any doubt, have the electrical system of the house checked by a qualified electrician. Malloca will not be held responsible for damages caused by the lack, or inadequacy, of an effective grounding system.

Important Safety Instructions

Use

Only use the hob for residential cooking, and for the purposes described in this manual.

Other uses are not permitted and can be dangerous. Malloca will not be held liable for damage caused by unauthorized use or improper operation of any kind.

Persons who lack physical, sensory or mental abilities, or experience with the hob should not use it without supervision or instruction by a responsible person.

Individuals with a pacemaker or similar medical device: Please note that an electromagnetic field develops when the hob is turned on. Although unlikely that this will affect a pacemaker or other medical device please consult the device manufacturer or your doctor if you have concerns.

Keep magnetized items, e.g. credit cards, disks, etc. away from the hob while in operation. Damage may result.

Do not use the hob until it has been properly installed in the countertop.

This hob is equipped with an overheating protection feature. See “Over heating protection” for more information.

Be sure to use the proper type of cookware. Follow the manufacturer’s instructions.

If the hob is installed above a pyrolytic oven it should not be used during the pyrolytic process. The overheating protection feature of the hob might be activated.

Important Safety Instructions

Injury prevention

Children should not be left unattended in an area where the hob is in use. Never allow children to sit or stand on any part of the hob.

Caution: *Do not store items of interest to children in cabinets above the hob. Children climbing on the hob to reach these items could be injured.*

Use the Child Safety Lock to prevent children from turning on the heaters or changing the settings. See “Child Safety lock” for more information.

Keep all pots and pans out of children’s reach. Danger of burning or scalding.

Do not touch the hob or the surrounding areas during or immediately after use. The hob may be hot even though it is dark in color. Wait until the residual heat indicators go out.

Protect your hands with insulated gloves or potholders when using the hob. Use only dry, heat resistant potholders. Moist or damp potholders used on hot surfaces can result in steam burns. Do not let the potholder touch the hot heating elements. Do not use towels or other bulky items near the hob.

Be aware of loose fitting or hanging clothing when operating the hob, they may present a fire hazard.

Pot and pan handles should be turned inward and not extend over the countertop to reduce the risk of burns, ignition of flammable materials, and spills.

Never leave a hob unattended at high settings or when cooking with oil or fat. Overheated oil could ignite. Always heat oil slowly, monitoring it as it heats.

Do not use water on grease fires. Smother or use a dry chemical or foam-type extinguisher on any fire or flame.

When frying food make sure that the food is as dry as possible before placing it in oil. Moisture can cause hot oil to splatter and boil over. At high settings, be cautious of splattering grease or boiling over liquids which may produce smoke.

Do not flambé under an exhaust hood. Flames could be drawn up into the hood by the suction and the grease filters may ignite.

Important Safety Instructions

Do not heat unopened containers. Built-up pressure may cause the container to burst and result in injury.

Before removing pots and pans be sure to turn off the heaters.

To prevent burns and breathing difficulty, allow the hob to cool before cleaning. Some cleaners may produce toxic fumes if applied to a hot surface.

When wiping spills on a hot hob with a wet sponge or cloth, be careful to avoid steam burns.

Do not let flammable materials, i.e. cooking grease, accumulate on the hob.

Never cover the hob with a cloth. A fire may result.

Do not place items other than pots and pans on the hob.

Flammable materials should not be stored on or near the hob.

The hob is fitted with a cooling fan. Drawers under the hob are not recommended. If a drawer is fitted directly underneath the hob, ensure that there is sufficient space between the drawer, its contents and the underside of the appliance in order to ensure sufficient ventilation for the hob.

Do not store small items or paper in the drawer. They could get sucked into the housing by the fan and cause damage or impair cooling. Ensure that no aerosols, combustible liquids or other flammable materials are kept in this drawer. If cutlery inserts are to be placed in the drawer they must be made of heat-resistant material.

Damage protection

Never place hot pots or pans on the touch controls, this may damage the electronics.

Do not drop anything on the ceramic surface of the hob. Even lightweight objects may cause damage.

Do not use pots or pans with pronounced edges or ridges on the ceramic hob. These could scratch the hob permanently. See “Cookware” for more information. Grains of salt and sand can cause scratches. Make sure that the bases of any pots and pans are clean, free of any fat or oils, and are dry.

Do not allow solid or liquid sugar, pieces of plastic or foil to fall on the heaters when they are hot. If these residues are allowed to cool on the ceramic surface pitting or even cracking may occur.

Any spills should be removed as quickly as possible to prevent them from burning on and becoming difficult to remove.

Do not use a steam cleaner to clean this hob. Steam could penetrate electrical components and cause a short circuit.

Important Safety Instructions

Appliance safety

In the event of any damage to the hob, it must be turned off immediately and disconnected from the main power supply. Contact Malloca's Technical Service Department.

Do not use the hob until it has been repaired. Ensure power is not supplied to the hob until repair work is completed.

Do not cook on a damaged hob. Any breakages or cracks in the ceramic surface of the hob are defects and must be treated as such. If the hob should break, cleaning solutions and spills may penetrate the broken hob and create a risk of electric shock. Do not use the hob until it has been repaired.

Repairs should only be performed by qualified technicians to ensure safety. Repairs and other work by unqualified persons could be dangerous. Do not open the outer casing of the hob under any circumstances.

While the hob is under warranty repairs should only be performed by an authorized service technician. Otherwise the warranty is void.

Further safety notes

Make certain that the power cords of small appliances do not come in contact with the hob. The insulation of the cable could become damaged.
Danger of electric shock!

Keep pets away from the hob at all times and activate the Child Safety Lock. If a pet gets on the hob a touch control sensor could be activated turning on a heater.

Important Safety Instructions

To eliminate the risk of burns or fire by reaching over heated surfaces cabinet storage space above the hob should be avoided. If cabinet storage is necessary, the risk can be reduced by installing a venting hood to project horizontally a minimum of 127mm beyond the bottom of the cabinets.

Because of the heat radiated it is not recommended to install the hob above a drawer. It should be installed above a cabinet base unit with a dummy drawer front. A protective base should also be installed between the dummy drawer and the hob. There must be a minimum distance of 110 mm between the top of the countertop and the top of the protective base to ensure proper ventilation.

This hob has not been designed for maritime use or for use in mobile installations such as recreational vehicles or aircraft. However, under certain conditions it may be possible for installation in these applications. Please contact the Malloca Technical Service Department with specific requirements.

The hob must not be permanently sealed into the countertop when installed. The sealing strip under the edge of the hob provides a sufficient seal for the countertop.

Once installed, be sure that the power cord cannot come into contact with the underside of the hob or any mechanical parts.

Cleaning and Care

Do not use a steam cleaner to clean this hob. Steam could penetrate electrical components and cause a short circuit. Pressurized steam could cause permanent damage to the surface and to components for which Malloca cannot accept responsibility.

Do not use any sharp pointed objects which could damage the seal between the ceramic surface, the surrounding frame and the countertop.

Never use abrasive or caustic (oven) cleaners, dishwasher detergent, scouring pads, steel wool or hard brushes. They will damage the surface.

The ceramic surface can be cleaned using a cleaner for ceramic surfaces. Follow the manufacturer's instructions.

Make sure that no cleaner residue remains on the ceramic surface by carefully wiping the hob with a damp cloth. They may damage the hob or produce toxic fumes when heated.

Be sure that pot and pan bases are clean and dry.

After cleaning, dry the ceramic surface with a soft cloth to prevent a build up of limescale deposits.

Clean any spills immediately before they become difficult to remove. Clean the hob regularly, preferably after each use. Allow the hob to cool before cleaning.

Wipe off any soiling using a damp cloth. Stubborn soiling is best removed with a shielded scraper blade.

Apply a ceramic cleaner using a soft cloth or paper towel. To remove any lime-scale deposits or metallic residue apply a ceramic cleaner using a soft cloth and a shielded scraper blade if necessary.

After cleaning wipe the ceramic surface with a damp cloth and dry. A cleaner with a special additive to prevent water marks and smears on the ceramic surface may be used.

Any melted solids like sugar, plastic or aluminum foil should be removed as soon as possible, while the heater is still warm. If they are allowed to harden the hob may become pitted.

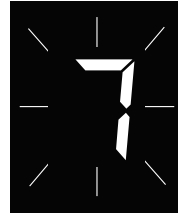
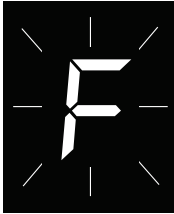
Appliance errors

Appliance errors are the errors which generate the deactivation of the whole hob.

When an appliance error is detected, all heaters are switched off, a beep sounds (only if one or more heaters are active) and all displays show a 'F' letter and the error code alternately.

While in error status all the heater keys are not operative .

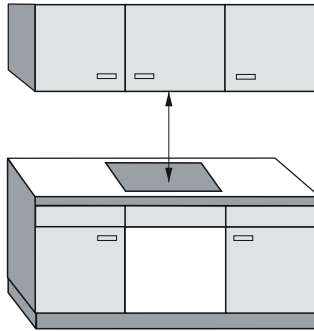
Except EEPROM and microcontroller errors, all errors are recoverable. That is, when the cause of the error disappears all displays are deactivated and the hob returns to normal operation.



Appliance errors			
Error (Visualization Priority Order)	Error recovery	Action	All Heater Displays (fore 0.5 sec./ back 0.5 sec)
Microcontroller fault	-----	App. off	F0
On/Off key emitter fault	When the fault disappears	App. off	FA
On/Off key receiver fault	When the fault disappears	App. off	FC
User interface temperature sensor short-circuit	When the fault disappears	App. off	FE
User interface temperature sensor open-circuit	When the fault disappears	App. off	Ft
User interface overtemperature	When user interface temperature < 90°C	App. off	Fc
EEPROM fault	-----	App. off	FH
Microcontroller A/D converter multiplexer fault	When the fault disappears	App. off	FJ
Ambient Light fault	When satisfactory ambient lighting is detected	App. off	FL
Microcontroller A/D converter conversion fault	When the fault disappears	App. off	FU

Safety Instructions for installation

Safety distance above the hob

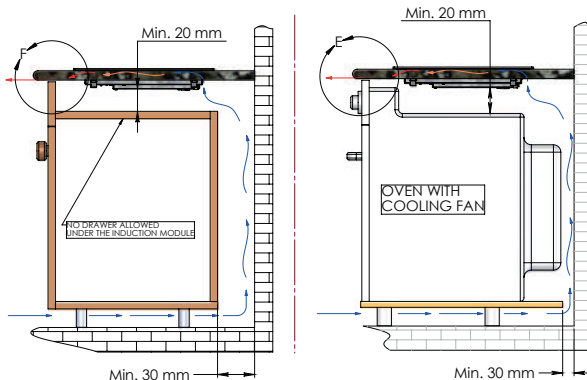


The minimum safety distance given by the hood manufacturer must be maintained between the hob and the hood above it. See the installation instructions of the hood for these safety measurements.

If the hood manufacturers instructions are not available or if flammable objects are installed over the hob (e.g. cabinets, utensil rail, etc.), a minimum safety distance of (760 mm) must be maintained.

If there is more than one appliance beneath a hood (e.g. wok burner and electric cooktop), and they have different minimum safety distances always observe the greater distance.

Ventilation



Safety Instructions for installation

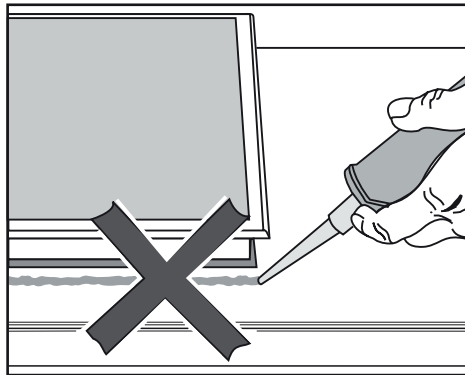
Installation

Feed the hob connection cable down through the cut-out.

Place the hob centrally in the cut-out. When doing so make sure that the seal under the cooktop sits flush with the countertop on all sides. This is important to ensure an effective seal. (*Do not use sealant*).

Connect the hob to the main power supply.

Turn the hob on and check the function.



The hob must not be permanently sealed into the countertop when installed. The sealing strip under the edge of the hob provides a sufficient seal for the countertop.

If the hob is sealed into position, the countertop or appliance could be damaged if the hob needs to be removed for maintenance or service.

Caring for the environment

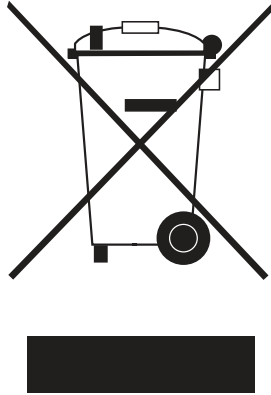
Disposal of the packing material

The transport and protective packing has been selected from materials which are environmentally friendly for disposal and should be recycled.

Ensure that any plastic wrappings, bags, etc. are disposed of safely and kept out of the reach of babies and young children. Danger of suffocation.

Disposal of your old appliance

Electrical and electronic appliances often contain materials which, if handled or disposed of incorrectly could be potentially hazardous to human health and to the environment. They are, however, essential for the correct functioning of your appliance. Please do not therefore dispose of it with your household waste.



Please dispose of it at your local community waste collection/recycling centre or contact your dealer for advice. Ensure that it presents no danger to children while being stored for disposal.

Cleaning the hob

Before using for the first time, clean the hob with a damp cloth and dry with a soft cloth.

Heating the hob

Metal components of the hob have a protective coating which may give off a slight odor the first time the hob is heated.

The smell will dissipate after a short time and does not indicate a faulty connection or appliance defect.

Before using for the first time

Touch controls

The control panel is equipped with Infrared sensor. They respond to a finger touch.

To operate the heaters, simply touch the corresponding sensor area(s). Each time a command is registered, a signal will be heard.

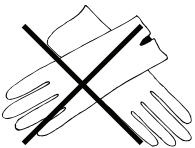
Be sure to touch only the desired sensor area and keep the control panel clean and clear. Otherwise, the touch controls may not respond, or unintentional commands may be given, even causing the cooktop to switch off automatically (see “Automatic Safety off”).

User interface initial calibration

The user interface has implemented an initial keyboard calibration focused to adapt the sensibility of the keys, to the final mechanical, environmental and user conditions.

Anytime the Cooktop is plugged or there is a power failure that generates a reset in the user interface, the first time the Key lock is touched the sensitivity of the keyboard is readjusted. This first touch of the Key Lock must be done in certain conditions:

Do not use gloves



Use a clean finger



Touch the glass (smooth touching)



Initial Light Conditions

When power is initially applied to the Cooktop, the touch control conducts a calibration process for the touch keys, which requires a low level of ambient light in the area of the touch keys.

If during this calibration process excessive ambient lighting is detected the User Interface displays “FL” (Infrared Ambient Light Error) and the control calibration process is suspended.

In order to rectify the process any lighting that could affect the calibration process should be switched off (e.g. halogen cooker hood lighting).

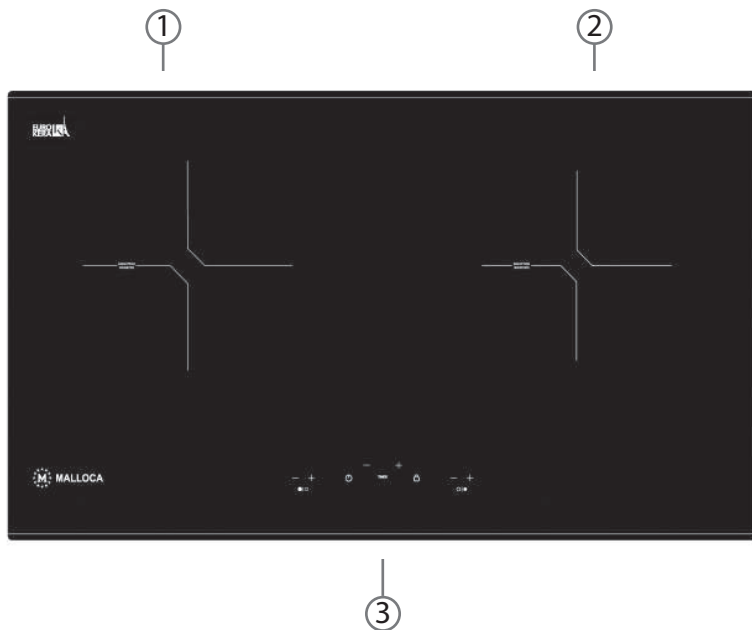
The error will disappear when satisfactory ambient lighting is detected and the touch control calibration procedure will now complete satisfactorily.

Notes:

- 1) The “FL” error can only be generated within approx. 3s of initial power being applied to the cooktop.
- 2) We recommend that you switches off all cooker hood lighting and lighting directed towards the Cooktop when power is initially applied to the Cooktop.
- 3) After the touch control has conducted its initial calibration process, (approx. 3s) any cooker hood or other lighting can be switched on as normal and will not affect the operation of the touch control

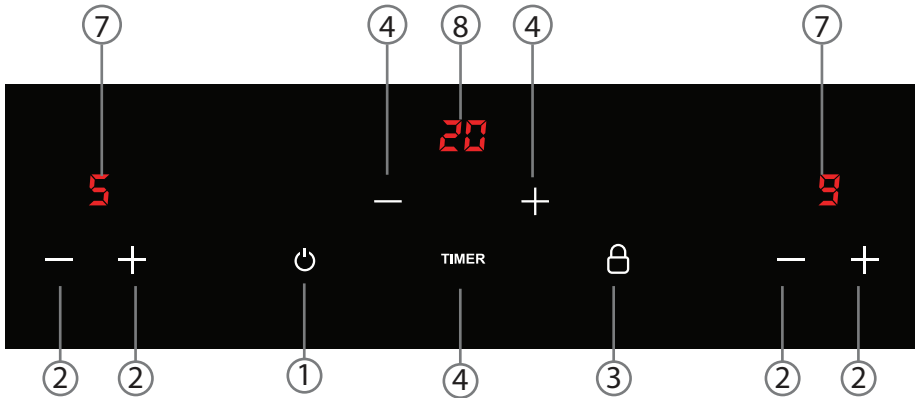


MH-02I N



- ① ② Heaters
- ③ Control panel

Control panel



Sensors for

- ① Turning the hob on and off
- ② Setting the power level
- ③ Child safety lock
- ④ Setting the timer

Display

- ⑦ Power level, residual heat display
- ⑧ Timer display

Guide to the hob

Heater data

Heater \varnothing in mm	Power Level	Rating in W 220-240V	
		215	185
<div style="display: flex; align-items: center; gap: 10px;"> <div style="border: 1px solid black; width: 20px; height: 20px; display: flex; align-items: center; justify-content: center;">●</div> 215 </div>	1	100	100
	2	200	200
	3	300	300
	4	500	500
	5	700	700
<div style="display: flex; align-items: center; gap: 10px;"> <div style="border: 1px solid black; width: 20px; height: 20px; display: flex; align-items: center; justify-content: center;">●</div> 185 </div>	6	900	900
	7	1100	1000
	8	1300	1200
	9	1500	1400
	Booster "P"	2000	1800

INDUCTION

How induction works

An induction coil is located under each heater. When a heater is switched on, this coil creates a magnetic field which impacts directly on the base of the pan and heats it up. The heater itself is heated indirectly by the heat given off by the pan.

Induction heaters only work when a magnetic based pan is placed on it (see “Cookware”).

Induction automatically recognizes the size of the pan, i.e. heat is only generated in the area covered by the base of the pan.

The heater will not work:

- ~ If it is switched on without a pan in place, or if the pan is unsuitable (non-magnetic base).
- ~ If the diameter of the pan is too small.
- ~ If the pan is taken off the heater when it is switched on.

If this happens, “u” will flash in the relevant heater display alternating with 0 or the last selected power level selected.

If a suitable pan is placed on the heater the “u” will go out and you can continue cooking as normal.

If no pan or an unsuitable pan is placed on the heater, the heater and the hob will switch off automatically after 1 minutes.

Be careful not to place cutlery or other metal objects on the hob. When the hob is switched on, or when there is residual heat present, there is the risk of metal objects heating up quickly. Beware of burns.

Depending on the material, other objects left on the hob could also melt or catch fire. Switch the heaters off after use.

When using an induction heater, the following noises can occur in the pan, depending on what it is made of and how it is constructed.

~ Higher power settings may cause a buzz. This will decrease or cease altogether when the power setting is reduced.

~ If the pan is base is made of layers of different materials (e.g. a sandwiched base), a cracking sound may be heard.

~ Whistling might occur if linked burners (see “ Booster function”) are being used on the highest setting at the same time, and the pans have bases made of layers of different materials.

~ You may hear a clicking sound from the electronic switches, especially on lower settings.

~ The hob has a cooling fan to help extend the life of the electronics. When the hob is being used at high levels for a long period of time, this will come on and you will hear a whirring sound. The fan may continue to run after the hob has been switched off.

Suitable pans

Cookware

Suitable pans include:

- ~ Stainless steel pans with a magnetic base
- ~ Enameled steel pans
- ~ Cast iron pans
- ~ Use always flat base pans

Unsuitable pans:

- ~ Stainless steel pans without a magnetic base
- ~ Aluminum and copper pans
- ~ Glass, ceramic or earthenware pots and pans

To test whether a pot or pan is suitable for use on an induction hob, hold a magnet to the base of the pan. If the magnet sticks, the pan is suitable.

Pan size

To make optimum use of the heaters, choose cookware that fits between the inner and outer marking of the heater. If the base diameter of the pan is smaller than the inner marking, the induction heating will not work. The heater will behave as if it had no pan on it.

COIL	MINIMUM PAN
210 mm	180 mm
145 mm	140 mm

Turning on the hob

Put a pot or pan on the desired heater.

Touch the ON/OFF touch control.

You will see 0 in each of the Heater displays. If the selection of the Heater is not done in 10 seconds the hob will be turned off automatically as a safety measure.

Turning on a Heater

When the hob is on, the power level for a heater can be selected by touching the [-] [+] touch control. In each increase/ decrease a beep sounds and the corresponding display shows the new power level.

The [-] [+] touch control will be locked:

- If the cooktop is off, or
- If the Child Safety Lock is activated (CHILD SAFETY LOCK LED on), or
- If there is any heater error or appliance error.

The [+] touch control raises the cooking level to 9



The [-] touch control reduces the cooking level to 0. With the Heater at power level 0, the [-] touch control raises the cooking level to 9



Use

Booster function

Each heater is equipped with a booster function to temporarily increase the power level. When the booster function is on, the heaters increase to maximum power level for 10 minutes and its display shows "P"

With the heater at power level 9, the [+] touch control will raise the power level to P



After these ten minutes, a beep sound and the heater will return to power level 9. This booster is intended for quickly bringing large quantities of water to the boil, e.g. cooking pasta.

Taking a pan off the heater while the booster is in operation interrupts the booster function. It will resume if a pan is placed back on the heater.

The booster can be switched off by touching the [-] touch control.



Turning Off A Heater

When a heater is on, the heater can be turned off by touching the [-] and [+] touch control simultaneously. A beep sounds and its display shows "0".



Turning off the hob

Touch the On/Off touch control for the hob.

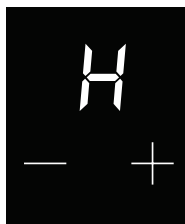
All heaters are turned off. If any heaters are still hot the residual heat indicator will show in the respective display.

The ON/OFF touch control will be locked to switch On the hob:

- If the Child Safety Lock is activated CHILD SAFETY LOCK LED on, or
- If there is any appliance error.

Residual heat indicator

While a temperature on the hob ceramic surface is above 65oC, this condition will be shown in the associated display, by means of an "H"



The residual heat indicator also reacts to hot dishes and plates being placed on a heater that is not switched on.

Do not touch any heater or place any heat sensitive items on a heater where the residual heat indicator is lit. Danger of burns and fire hazard.

Please note that the residual heat indicators do not light when there is a fault message, even if the heaters are hot.

Use

Timer

The hob has a timer which can be used to automatically switch-off one (any) heater.

Quick Guide:

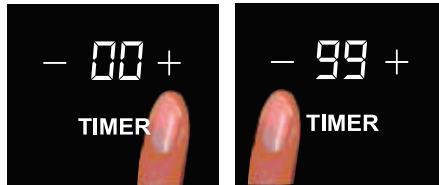
Turn on	Touch [-] or [+]
Set	With [-] set from 99 to 00 minute With [+] set from 00 to 99 minutes
Reset back to 00	Touch [-] and [+] simultaneously

Setting the timer

The timer can be set with the hob turned on. It can be set from 1 to 99 minutes.

Touch [-] or [+] touch control to turn the timer on.

The display shows 00.



Touch the [-] or [+] to select the heater on which the timer function is to operate. The selection of a heater of a new heater disables the previous selection in such a way that the timer only operates on one heater each time.

The heater must always be selected before the time is set; otherwise, the timer will switch off.

If, after selecting the heater, the time is not defined (T=00) in 10 sec., the timer switches off.

The set time counts down in minutes in the timer display. The remaining time is displayed and can be changed at any time by pressing [-] or [+]. After the set time has elapsed the display shows 00 and an audible signal is heard. After a few seconds the tone will stop and the 00 will go out.

To end the signal select the [-] or [+] touch control.

Child Safety Lock

Keep children away from the hob for their own safety.

The hob has a Child Safety Lock to prevent children from turning on the heaters or changing the settings.

The Child Safety Lock can be activated while the hob is on or off.

Activating the Child Safety Lock during hob use

The settings for the heater and timer cannot be altered.

The heaters and hob can still be turned off but once turned off cannot be turned on again.

Activating the Child Safety Lock when the hob is turned off

The hob cannot be turned on.

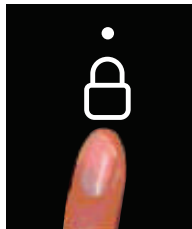
To activate the Child Safety Lock

Press and hold the Child Safety Lock control until the respective indicator lights.

If you touch the Child Safety Lock control or setting, the indicator will come on to show that the Child Safety Lock is activated.

To deactivate the Child Safety Lock

Press and hold the Child Safety Lock control until the indicator goes out. In the case of a power failure the Child Safety Lock will be deactivated.



Safety Features

Automatic Safety Off

The hob has an automatic safety off in case it is not turned off after use.

If one of the heater is heated for an unusually long period of time (see table), and the power level settings are not adjusted, the hob will turn itself off automatically and the residual heat indicator will light.

To use the heaters again, switch the hob back on in the usual way.

Power level	Max Operating hr.
1	10
2	10
3	10
4	10
5	10
6	10
7	10
8	10
9	3

Covered touch controls

The hob will turn off automatically if any of the touch controls are covered for more than 10 seconds, e.g. by finger contact, food boiling over or by an object such as an oven mitt or towel.

Clean the touch controls or remove the object covering it.

Turn the hob on again with the ON/OFF touch control. The heater can now be used.

Overheating protection

The induction coils and the cooling element of the electronic are fitted with a overheating protection feature. This prevents the induction coils and cooling element from overheating.

This mechanism works on the affected heater or on the entire hob in the following ways:

- If the booster function is being used, it will be switched off.
- If an induction coil is affected, the heater will automatically turn off. 0 and the residual heat indicator will show in the display.

The heater can be used again as soon as it has cooled to a safe temperature.

- If the cooling system is affected, all heaters will automatically turn off, and the display will show 0 alternating the set power level.

Once the system has sufficiently cooled, the heaters will automatically operate at the originally set power level.

Overheating can be caused by:

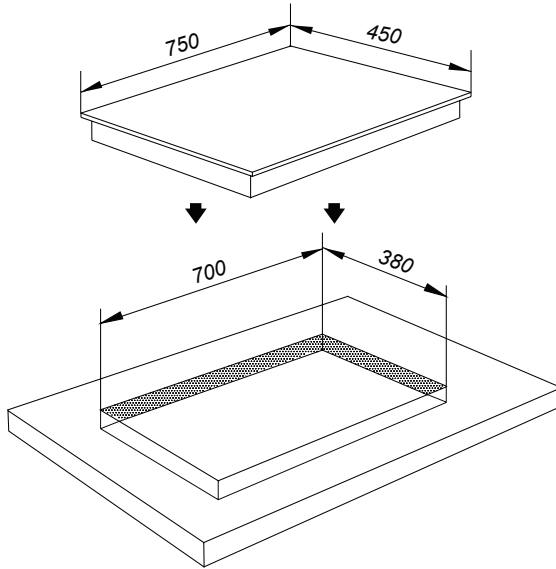
- heating an empty pan.
- fats or oils being heated on the highest power setting.
- there being insufficient ventilation to the under side of the hob

If the overheating protection mechanism triggers again, contact Malloca Technical Service.

Installation

Cut out

Make the countertop cut-out following the dimensions given in the illustration.



Code	Cut out dimension
MH-02I N	700 x 380mm

Remember to maintain a minimum distance of 50 mm between the rear wall and the right or left side. See also the “IMPORTANT SAFETY INSTRUCTIONS”. This hob has a seal underneath to keep it securely in position. Spring clips are not required. Any gap between the frame and the countertop will reduce as the hob is used.

CAUTION:

Before installation or servicing, disconnect the power supply by either removing the fuse, shutting off the main power supply or manually “tripping” the circuit breaker.

Installation work and repairs should only be performed by a qualified technician in accordance with all applicable codes and standards. Repairs and service by unqualified persons could be dangerous and the manufacturer will not be held responsible.

Before connecting the appliance to the power supply, make sure that the voltage and frequency listed on the data plate correspond with the household electrical supply. This data must correspond to prevent appliance damage. Consult an electrician if in doubt.

Power supply

Be sure your electrical supply matches the data plate.

Connection

The cooktop is equipped with a power cord 3 wires ready for connection to a grounded power supply.

A dedicated line and junction box should be used to connect the hob to a circuit.

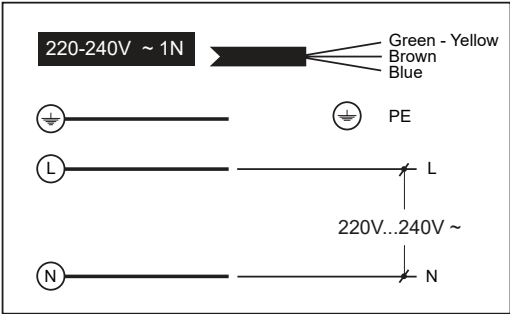
MH-02I N: 20A

For further information, see the wiring diagram provided with the appliance.

WARNING: THIS APPLIANCE MUST BE GROUNDED!

Electrical Connection

MH 02I N



Nội Dung

Thông Tin An Toàn Quan Trọng.....	38
Vệ sinh và bảo trì.....	45
Báo lỗi thiết bị.....	46
Hướng dẫn lắp đặt an toàn.....	47
Bảo vệ môi trường.....	49
Lần đầu tiên sử dụng.....	50

MH-02I N

Bảng điều khiển.....	54
----------------------	----

BẾP TỬ

Hoạt động của bếp.....	57
Tiếng ồn.....	58
Lựa chọn nồi phù hợp.....	59
Sử dụng.....	60
Đặc tính an toàn.....	64
Lắp đặt.....	67
Kết nối điện.....	68

ĐỌC HƯỚNG DẪN SỬ DỤNG CẨN THẬN TRƯỚC KHI SỬ DỤNG BẾP

Lưu ý

Bếp từ này chỉ phục vụ cho chức năng nấu trong gia đình. Malloca không chịu bất cứ trách nhiệm nào nguy hiểm đến an toàn người sử dụng do sử dụng không đúng cách theo yêu cầu của nhà sản xuất.

Khi sử dụng bếp vui lòng đọc kỹ các thông tin an toàn cơ bản bên dưới để đảm bảo an toàn cho người sử dụng:

Lắp đặt

Để đảm bảo an toàn cho người sử dụng, thiết bị nên được lắp đặt bởi nhân viên kỹ thuật và tuân thủ theo các quy định an toàn về điện. Malloca không chịu bất cứ trách nhiệm nguy hiểm nào liên quan đến lắp đặt, kết nối bếp không chính xác.

Không nên kết nối trực tiếp bếp với nguồn điện, hãy sử dụng dây kết nối. Dây kết nối phải phù hợp với yêu cầu phù hợp với bếp.

Trước khi bảo trì bếp, vui lòng ngắt kết nối nguồn điện.

Để đảm bảo an toàn điện cho bếp, phải có sự kết nối hệ thống nối đất cho bếp. Điều bắt buộc là phải đáp ứng được yêu cầu an toàn cơ bản này. Nếu có bất kỳ nghi ngờ nào, hãy kiểm tra hệ thống điện bởi nhân viên kỹ thuật. Malloca không chịu bất cứ trách nhiệm nào liên quan đến các nguy cơ an toàn điện do không kết nối hệ thống nối đất.

Thông Tin An Toàn Quan Trọng

Sử Dụng

Chỉ sử dụng bếp để nấu ăn ở nhà, và cho các mục đích phù hợp như sách hướng dẫn này đã chỉ dẫn.

Việc sử dụng cho mục đích khác thì không phù hợp và có thể nguy hiểm. Malloca sẽ không chịu trách nhiệm về thiệt hại do sử dụng trái phép hoặc hoạt động không đúng cách dưới bất kỳ hình thức nào.

Đối với người không có năng lực về thể chất, giác quan hoặc tinh thần hoặc thiếu kinh nghiệm và kiến thức thì họ cần được giám sát hoặc hướng dẫn sử dụng thiết bị một cách an toàn và tránh được những mối nguy hiểm có tính liên quan.

Những người sử dụng máy trợ tim hoặc những thiết bị y tế tương tự, vui lòng hạn chế sử dụng vì khi bếp bật có từ trường điện xuất hiện. Mặc dù không chắc chắn điều này có thể ảnh hưởng đến máy trợ tim hoặc các thiết bị y tế khác, vui lòng tham khảo ý kiến của bác sĩ khi sử dụng bếp.

Các vật dụng từ hóa như là thẻ tín dụng, đĩa cd,.. nên để ra xa bếp khi hoạt động và có thể gây nguy hiểm.

Không sử dụng bếp khi chưa được lắp đặt chính xác.

Bếp này được trang bị chức năng báo dư nhiệt. Xem phần "Bảo vệ dư nhiệt" để biết thêm chi tiết.

Sử dụng các loại nồi chảo phù hợp, và tuân theo các hướng dẫn của nhà sản xuất.

Nếu bếp được lắp đặt phía trên lò nướng có chức năng nhiệt phân, không nên sử dụng bếp trong quá trình lò đang thực hiện chức năng nhiệt phân. Nếu không bếp sẽ báo dư nhiệt.

Phòng Chống Thương Tích

Trẻ em không nên chơi ở gần khu vực bếp đang sử dụng. Không nên cho trẻ em ngồi hay đứng lên bất cứ phần nào của bếp.

Lưu ý: Không được để các đồ vật mà trẻ em yêu thích ở tủ đựng phía bên trên bếp. Trẻ nhỏ có thể leo lên bếp để lấy những đồ vật yêu thích và có thể gây nguy hiểm.

Sử dụng phím khóa trẻ em để ngăn chặn trẻ em bật bếp hoặc thay đổi cài đặt bếp. Vui lòng xem nội dung “ Khóa an toàn trẻ em” để biết thêm thông tin.

Vui lòng để nồi, chảo tránh xa tầm tay trẻ em.

Để bảo vệ tay bạn không bị bỏng khi sử dụng bếp nên dùng găng tay hoặc miếng lót nồi.

Lưu ý không nên treo các vật dụng dễ cháy như quần áo khô gần xung quanh khi bếp hoạt động, có thể làm nguy cơ dẫn đến cháy.

Không được sử dụng nước để dập tắt lửa khi xảy ra sự cố. Hãy sử dụng bình chữa lửa chuyên dụng, bình chữa lửa khô.

Không nên cài đặt bếp ở mật công suất cao khi không có ai theo dõi và đồ quá nhiều dầu, mỡ. Không để dầu quá nóng.

Không được sử dụng nước để dập tắt lửa khi xảy ra sự cố. Hãy sử dụng bình chữa lửa chuyên dụng, bình chữa lửa khô.

Khi chiên thức ăn đảm bảo thức ăn ráo nước trước khi cho vào chảo dầu. Ở mức công suất cao, cẩn thận khi chiên hoặc đun sôi có thể gây ra khói.

Không để bếp quá nóng vì hơi nóng có thể làm cho dầu mỡ ở máy hút mùi bốc cháy.

Thông Tin An Toàn Quan Trọng

Không làm nóng nồi chảo rỗng. Áp suất có thể làm vỡ hoặc hỏng nồi chảo.

Khi lấy nồi chảo ra đảm bảo đã tắt bếp.

Để tránh bị bỏng và khó thở, hãy để nguội trước khi vệ sinh.

Một số chất tẩy rửa có thể gây độc khi sử dụng trên bề mặt nóng.

Khi vệ sinh bếp bằng miếng bọt biển hoặc khăn ẩm, hãy cẩn thận vì có thể bị bỏng do hơi nước tạo thành.

Không để các vật dụng dễ cháy, như dầu mỡ, vì chúng có thể bắt lửa.

Không che đậy bếp bằng vải, vì chúng có thể gây cháy.

Không đặt các vật dụng khác không phải nồi chảo lên mặt bếp.

Vật liệu dễ cháy không được lưu giữ gần hoặc trên mặt bếp.

Bếp được trang bị quạt tản nhiệt. Không khuyến khích làm các ngăn kéo phía dưới bếp. Nếu lắp đặt ngăn kéo phía dưới bếp, hãy đảm bảo đủ không gian giữa ngăn kéo và bếp để đảm bảo lưu thông gió.

Không lưu trữ các vật nhỏ hoặc giấy bên trong ngăn kéo. Chúng có thể bị quạt hút vào. Đảm bảo rằng không có bình xịt hoặc vật dụng dễ cháy nào được đặt trong ngăn kéo. Nếu lưu trữ đồ hãy lưu ý những vật dụng này chịu được nhiệt.

Bảo vệ

Không được để các chảo nóng, nồi nóng vào vị trí bảng điều khiển, có thể làm hỏng bảng điều khiển điện tử.

Không được để bất cứ vật nặng nào rơi vào bề mặt kính của bếp, thậm chí nhẹ có thể gây hư hỏng bề mặt kính.

Không nên sử dụng nồi, chảo có các cạnh sắc, bén có thể gây trầy xước bề mặt. Những hạt muối, cát có thể là nguyên nhân gây nên trầy kính. Hãy chắc chắn rằng bề mặt đáy nồi, chảo sạch khi sử dụng bếp.

Không để đường dạng rắn hoặc lỏng, các mảnh nhựa hoặc giấy bạc rơi trên mặt bếp khi bếp đang nóng. Nếu các dư lượng này trên mặt bếp sẽ gây ra hiện tượng rỗ thậm chí có thể làm nứt mặt kính bếp.

Cần loại bỏ các vết bẩn bị tràn ra ngay sau khi sử dụng bếp để ngăn chặn việc chúng bị cháy và khó làm sạch.

Không được sử dụng máy vệ sinh bằng hơi nước để vệ sinh bếp, có thể ảnh hưởng trực tiếp đến bếp.

Thông Tin An Toàn Quan Trọng

An Toàn Thiết Bị

Trong trường hợp có bất kỳ thiệt hại nào đối với bếp, ngay lập tức tắt bếp, ngắt nguồn điện. Liên hệ với trung tâm chăm sóc khách hàng của Malloca.

Không được sử dụng bếp cho đến khi bếp đã được sửa chữa. Chắc chắn rằng nguồn điện cung cấp đã được ngắt, cho đến khi sửa chữa hoàn thiện.

Không nên nấu trên bếp bị hỏng, bất cứ vết nứt trên bề mặt kính và các khuyết điểm nên được xử lý thay thế kính. Nếu mặt kính bị vỡ, khi vệ sinh các dung dịch tẩy rửa thâm nhập vào bên trong bếp, có nguy cơ gây nên rò rỉ điện, dẫn đến giật điện. Không được sử dụng bếp bị các lỗi như trên cho đến khi được sửa chữa.

Thay thế, sửa chữa nên được thực hiện bởi nhân viên kỹ thuật để đảm bảo an toàn. Không nên thay thế, sửa chữa bởi người không có chuyên môn có thể gây nguy hiểm. Không được mở bếp trong bất cứ trường hợp nào.

Trong khi bếp còn thời gian bảo hành, vui lòng liên hệ với trung tâm dịch vụ khách hàng để được hỗ trợ.

Lưu ý an toàn

Chắc chắn rằng dây cung cấp điện phù hợp với bếp, không sử dụng các dây có mức nhỏ hơn có thể không thể kết nối với bếp.
Nguy cơ giật điện!

Giữ thú cưng tránh xa bếp và kích hoạt chế độ Khóa an toàn trẻ em.

Thông Tin An Toàn Quan Trọng

Để tránh nguy cơ bị bỏng hoặc hỏa hoạn bằng cách giữ khoảng cách quy định giữa bề mặt tủ và không gian bên trong ngăn kéo. Nếu việc lưu trữ là cần thiết, rủi ro có thể được giảm thiểu bằng cách lắp đặt một ống thông gió theo chiều ngang, kích thước tối thiểu khoảng 127mm phía dưới đáy tủ.

Vì nhiệt sẽ được sinh ra, không nên lắp đặt bếp phía trên ngăn kéo tủ. Bếp nên được lắp đặt trên một ngăn kéo tủ giả. Một khung nền bảo vệ cũng nên được lắp đặt và có khoảng cách tối thiểu 110mm để đảm bảo độ thông gió thích hợp.

Thiết bị này không được thiết kế cho mục đích sử dụng đối với hàng hải và hàng không. Tuy nhiên, trong một số điều kiện nhất định có thể lắp đặt. Vui lòng liên hệ với bộ phận kỹ thuật của Malloca với các yêu cầu cụ thể.

Bếp không được cố định vĩnh viễn vào mặt bàn, gioăng được cung cấp sẽ đủ để lót cho một bếp với mặt bàn.

Sau khi lắp đặt, hãy chắc chắn rằng dây nguồn không tiếp xúc với mặt dưới của bếp hoặc bất kì vật dụng cơ khí nào.

Vệ sinh và bảo trì

Không sử dụng chất tẩy rửa hơi nước để làm sạch bếp. Hơi nước có thể xâm nhập làm hỏng các bộ phận điện và gây ngắn mạch. Hơi áp suất có thể gây ra thiệt hại vĩnh viễn cho bề mặt và các bộ phận mà Malloca không thể chịu trách nhiệm.

Không sử dụng bất kỳ vật nhọn nào có thể làm hỏng gioăng bếp, khung xung quanh và mặt bàn.

Không sử dụng chất tẩy rửa có tính ăn mòn hoặc ăn da (lò nung), chất tẩy rửa máy rửa chén, miếng cọ rửa bằng kim loại hoặc bàn chải cứng. Chúng sẽ làm hỏng bề mặt.

Bề mặt kính có thể sử dụng chất tẩy rửa dùng riêng cho bề mặt kính. Thực hiện theo hướng dẫn của nhà sản xuất.

Đảm bảo rằng không có cặn bẩn bám trên bề mặt bếp, vệ sinh cẩn thận bằng vải ẩm. Nếu không chúng có thể bị hỏng hoặc tạo ra khói độc khi đun nóng.

Hãy chắc chắn rằng đáy nồi chảo sạch sẽ và khô ráo.

Sau khi vệ sinh, lau lại bề mặt kính để tránh chúng bị đóng cặn vôi.

Làm sạch những thức ăn bị tràn ra ngay lập tức trước khi chúng khó loại bỏ.

Làm sạch bếp thường xuyên, tốt nhất là sau mỗi lần sử dụng. Để bếp nguội trước khi thực hiện làm sạch.

Làm sạch các vết bẩn bằng khăn ẩm. Các vết bẩn cứng đầu được làm sạch bằng dao cạo có đầu được bọc lại để tránh làm hỏng bề mặt kính.

Sau khi làm sạch bằng khăn khô, có thể sử dụng chất tẩy rửa chuyên dụng cho bề mặt kính để làm sạch các vết bẩn cứng đầu.

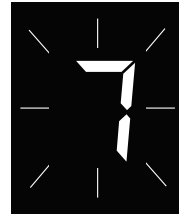
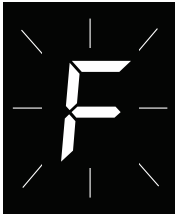
Bất kỳ vết bẩn từ đường dạng rắn hoặc lỏng, nhựa hoặc nhôm nên được loại bỏ càng sớm càng tốt, trong lúc bếp vẫn còn ấm, nếu chúng bị đông cứng mặt bếp có thể bị rỗ hoặc dẫn đến nứt kính.

Lỗi thiết bị là lỗi tạo ra do việc hủy kích hoạt toàn bộ bếp.

Khi thiết bị phát hiện ra lỗi, sẽ tự động tắt bếp và sẽ nghe một âm thanh, bếp sẽ hiển thị "F" và mã lỗi nhấp nháy liên tục.

Khi lỗi xuất hiện, bếp sẽ không thể hoạt động được.

Ngoại trừ lỗi EEPROM và vi điều khiển, các lỗi còn lại đều có thể khôi phục được. Đó là khi nguyên nhân lỗi biến mất, tất cả màn hình bị vô hiệu hóa và bếp hoạt động bình thường trở lại.

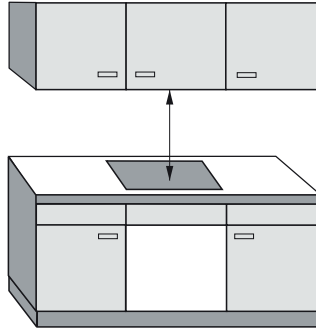


Báo lỗi thiết bị

Lỗi	Nội dung	Hoạt động	Hiển thị (trước 0.5 giây./ sau 0.5 giây)
Lỗi vi điều khiển	-----	Tắt	F0
Lỗi nhận phím Tắt/Mở	Khi lỗi xuất hiện	Tắt	FA
Lỗi phát phím Tắt/Mở	Khi lỗi xuất hiện	Tắt	FC
Cảm biến nhiệt độ bị ngắn mạch	Khi lỗi xuất hiện	Tắt	FE
Cảm biến nhiệt độ bị hở mạch	Khi lỗi xuất hiện	Tắt	Ft
Dư nhiệt	Khi nhiệt độ giao diện người dùng < 90°C	Tắt	Fc
Lỗi EEPROM	-----	Tắt	FH
Lỗi vi điều khiển A/D của bộ vi điều khiển	Khi lỗi xuất hiện	Tắt	FJ
Lỗi ánh sáng	Khi ánh sáng khác ánh sáng môi trường xuất hiện	Tắt	FL
Lỗi chuyển đổi vi điều khiển A/D	Khi lỗi xuất hiện	Tắt	FU

Hướng Dẫn Lắp Đặt An Toàn

Khoảng cách an toàn của bếp

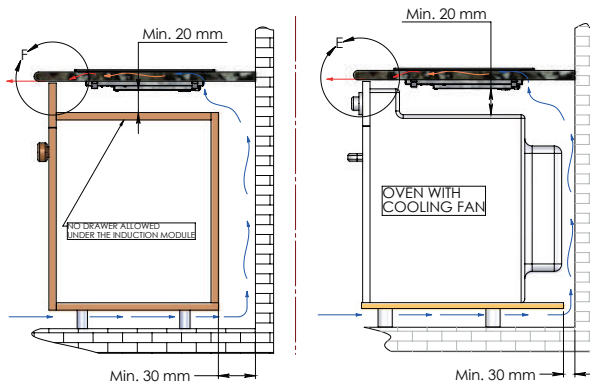


Khoảng cách an toàn tối thiểu được yêu cầu phải phù hợp với yêu cầu của nhà sản xuất, để đảm bảo an toàn cho người sử dụng. Vui lòng xem kỹ hướng dẫn lắp đặt.

Khoảng cách an toàn lắp đặt máy hút và bếp tối thiểu là 760mm.

Nếu tủ bếp có nhiều hơn một thiết bị (ví dụ bếp gas, bếp điện,...), thì nên lắp đặt khoảng cách an toàn tối thiểu phù hợp để đạt được công năng làm việc hiệu quả nhất.

Sự thông gió



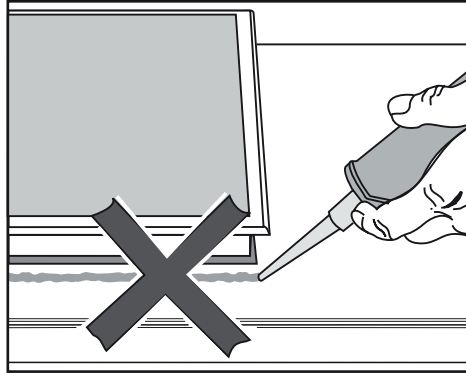
Lắp Đặt

Đề dây cáp kết nối nguồn điện không bị vướng, cản với bếp.

Đặt bếp vào vị trí trung tâm của lỗ đá. Khi lắp vào chú ý gioăng bếp nằm phẳng với mặt bàn ở tất cả các mặt. Điều này đảm bảo gioăng bếp hiệu quả (Không sử dụng keo để dán gioăng bếp).

Kết nối bếp với nguồn điện được cung cấp.

Mở nguồn bếp và kiểm tra chức năng.



Không nên dán keo dính bếp với mặt đá khi lắp đặt. Bên dưới bếp đã có 1 lớp gioăng để đảm bảo an toàn và không bị dịch chuyển.

Đề bếp vào vị trí cắt đá phù hợp, có thể dễ dàng vệ sinh hoặc sửa chữa khi cần thiết.

Bảo Vệ Môi Trường

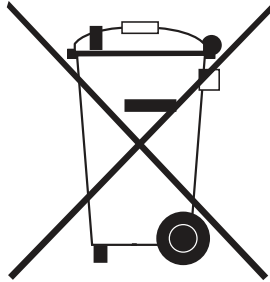
Xử lý các bao bì thiết bị

Bao bì thiết bị được lựa chọn từ các vật liệu thân thiện với môi trường, và có thể dùng tái chế và tái sử dụng.

Chắc chắn rằng các bao bì nhựa, túi ni lông,... được xử lý an toàn và tránh xa tầm tay trẻ em. Gây nguy hiểm cho trẻ em.

Xử lý thiết bị cũ

Thiết bị điện, điện tử thường chứa những vật liệu gây nguy hiểm cho sức khỏe con người và môi trường. Vui lòng không được xử lý thiết bị như các thiết bị như chất thải gia đình.



Xin vui lòng xử lý các chất thải tại các trung tâm xử lý chất thải địa phương. Và đảm bảo không nguy hại cho trẻ em trong khi chờ xử lý.

Vệ sinh bếp

Trong lần sử dụng đầu tiên, vệ sinh bếp bằng khăn ẩm và lau khô bằng khăn mềm.

Làm nóng bếp

Các bộ phận của bếp được bọc một lớp phủ bảo vệ, khi bật bếp lần đầu có thể có một số mùi.

Mùi được tạo ra khi lần đầu tiên bật bếp sẽ biến mất trong thời gian ngắn, điều đó không có nghĩa là bếp bị lỗi hoặc bị hư.

Lần Đầu Tiên Sử Dụng

Bảng Điều Khiển

Bảng điều khiển cảm ứng được trang bị cho bếp. Nó sẽ phản ứng với thao tác chạm tay trên bảng điều khiển.

Để khởi động bếp, chỉ cần chạm vào khu vực cảm biến tương ứng. Mỗi lần chạm vào vị trí tương ứng, sẽ nghe một âm thanh.

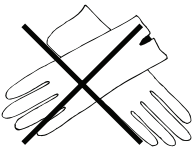
Hãy chắc chắn rằng bạn chạm chính xác vào khu vực trên bảng điều khiển. Thêm vào đó, các vị trí điều khiển có thể không phản hồi hoặc những nguyên nhân không thể biết, hoặc tự động tắt nguồn, có thể bếp đang bật chức năng khóa tự động an toàn (Xem chức năng "Khóa tự động an toàn").

Giao Diện Người Dùng

Giao diện người dùng đã được chuẩn hóa trên bàn phím điều khiển tùy thuộc vào độ nhạy của phím cảm ứng, môi trường và cả người sử dụng.

Bếp được kết nối với nguồn điện và bất cứ khi nào mất điện thì cần phải điều chỉnh bật nguồn.

Không dùng găng tay



Sử dụng ngón tay sạch



Chạm vào mặt kính



Điều kiện ánh sáng

Khi nguồn được cấp vào bếp, thì bảng điều khiển cảm ứng sẽ được kích hoạt để có thể điều khiển, và ánh sáng đèn xung quanh khu vực điều khiển sẽ sáng.

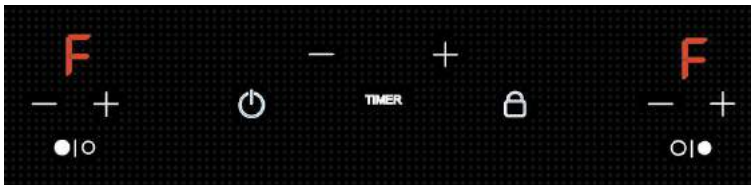
Trong quá trình hiệu chỉnh ánh sáng xung quanh, nếu bếp phát hiện có nhiều ánh sáng sẽ hiển thị "FL" và không có thể điều khiển bàn phím bếp.

Để khắc phục ánh sáng có thể ảnh hưởng đến quá trình sử dụng bếp cũng như là điều khiển, vui lòng tắt đèn (Đèn halogen của máy hút mùi.)

Lỗi này có thể biến mất khỏi nếu đèn được tắt và có thể điều chỉnh điều khiển cảm ứng.

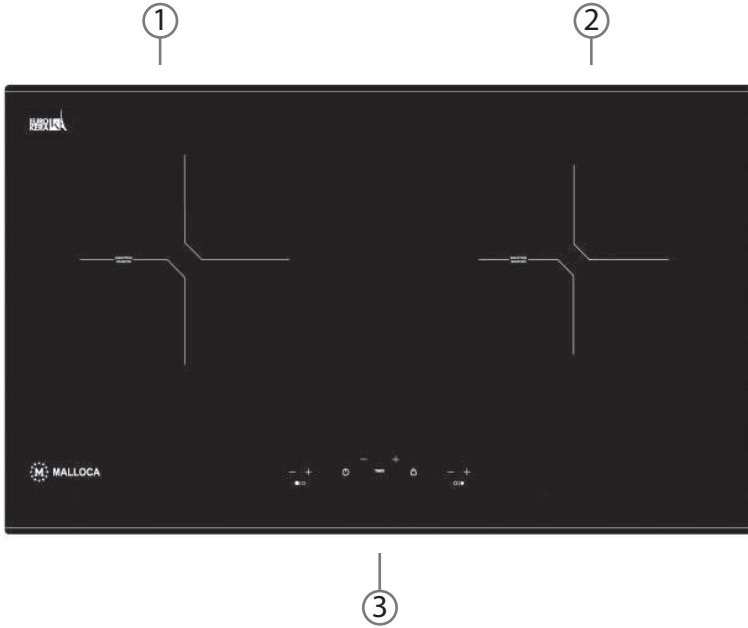
Lưu ý:

- 1) Lỗi "FL" chỉ xuất hiện trong 3 giây đầu khi nguồn điện được cung cấp.
- 2) Chúng tôi khuyên rằng nên tắt tất cả các đèn của máy hút khi tiến hành bật bếp.
- 3) Sau khi điều khiển cảm ứng có thể điều chỉnh được (trong vòng 3 giây), đèn máy hút có thể bật và không ảnh hưởng đến điều khiển cảm ứng.



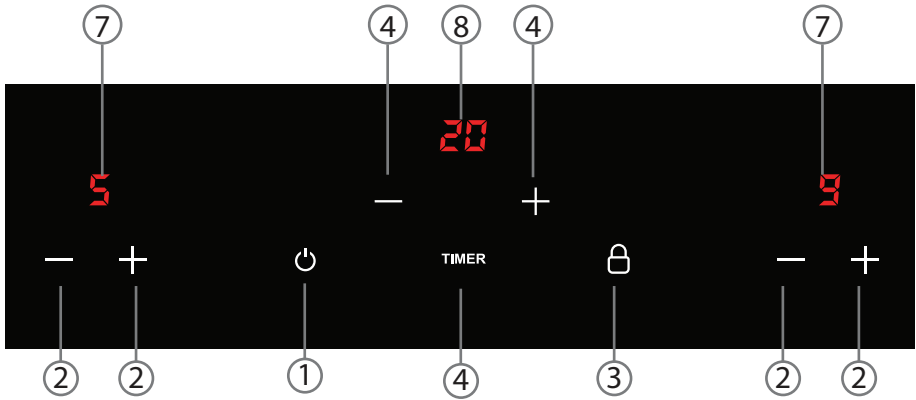
Hướng Dẫn Sử Dụng

MH-02I N



- ① ② Vùng nấu
- ③ Bảng điều khiển

Bảng Điều Khiển



Nút nhấn



- ① Tắt mở nguồn
- ② Cài đặt công suất bếp
- ③ Khóa phím trẻ em
- ④ Cài đặt thời gian hẹn giờ

Hiển thị

- ⑦ Công suất bếp, hiển thị dư nhiệt
- ⑧ Thời gian hẹn giờ

Hướng Dẫn Sử Dụng

Dữ liệu

Đường kính vùng nấu (Ø mm)	Mức công suất	Công suất (W) 220-240V	
		215	185
 215	1	100	100
	2	200	200
	3	300	300
	4	500	500
	5	700	700
 185	6	900	900
	7	1100	1000
	8	1300	1200
	9	1500	1400
	Booster "P"	2000	1800

BÉP TỪ

Hoạt Động Của Bếp

Cuộn dây từ được đặt phía bên dưới vị trí bếp. Khi bếp được bật, cuộn dây từ tạo ra từ trường, từ trường khi tiếp xúc với nồi kim loại sinh ra dòng điện và nóng lên.

Bếp từ chỉ có thể hoạt động với nồi chảo có đáy nhiễm từ. (Xem phần Lựa chọn nồi chảo phù hợp).

Bếp từ sẽ tự nhận diện kích cỡ của nồi được đặt lên bếp, và chỉ nóng trên kích cỡ nồi được đặt lên.

Bếp sẽ không hoạt động:

- ~ Bật bếp nhưng không đặt nồi lên vùng nấu, hoặc nồi không phù hợp (Nồi không nhiễm từ)
- ~ Đường kính của đáy nồi quá nhỏ.
- ~ Nồi được lấy khỏi khu vực bếp, khi bếp đang bật.

Trong trường hợp này, "u" sẽ nhấp nháy liên tục với mức công suất đang hiện trên bếp hoặc xuất hiện mức 0.

Khi để nồi phù hợp lên vị trí nấu, chữ "u" sẽ biến mất và có thể tiếp tục nấu như bình thường.

Nếu không có nồi và nồi không phù hợp trên vùng nấu, thì bếp sẽ tự động tắt trong vòng 1 phút.

Chú ý không được để dao kéo hoặc các vật kim loại khác lên trên bếp. Khi bếp được bật, có thể kim loại được đặt trên bếp nóng lên. Và dẫn đến nguy cơ cháy.

Tùy thuộc vào vật liệu, các vật thể khác còn lại trên bếp cũng có khả năng bắt lửa. Tắt bếp sau mỗi lần sử dụng.

Khi sử dụng bếp, tiếng ồn có thể xuất hiện ở nồi chảo, tùy theo bạn đang nấu gì và chế biến như thế nào.

~ Cài đặt mức công suất cao có thể tạo ra tiếng ồn. Tiếng ồn có thể tăng và giảm tùy thuộc khi tăng giảm công suất.

~ Bởi vì nồi chảo được tạo thành từ nhiều lớp khác nhau, chính vì thế bạn có thể nghe những âm thanh xuất phát từ nồi.

~ Trong trường hợp bếp sử dụng chức năng Booster được cài đặt mức công suất cao nhất, bạn có thể nghe âm thanh xuất hiện từ nồi.

~ Bạn có thể nghe những âm thanh nhỏ khi bật bếp, đặc biệt là khi cài đặt công suất thấp.

~ Quạt tản nhiệt để kéo dài tuổi thọ của thiết bị điện tử. Khi bạn cài đặt bếp ở mức công suất cao trong một thời gian dài, bạn có thể nghe âm thanh rung. Quạt tản nhiệt có thể tiếp tục chạy ngay sau khi bếp tắt.

Lựa chọn nồi phù hợp

Nồi Phù Hợp

Nồi phù hợp gồm có:

- ~ Nồi inox có đáy nhiễm từ
- ~ Chảo inox tráng men
- ~ Chảo gang
- ~ Luôn sử dụng đáy phẳng

Nồi không phù hợp:

- ~ Nồi inox có đáy không nhiễm từ
- ~ Nồi nhôm hoặc đồng
- ~ Nồi chảo bằng thủy tinh, gốm hoặc đất nung

Để kiểm tra xem nồi chảo có phù hợp để sử dụng cho bếp từ hay không, hãy thử bằng nam châm, nếu nam châm dính với đáy thì nồi chảo phù hợp.

Kích thước nồi

Để sử dụng bếp tối ưu, chọn nồi chảo phù hợp với vùng nấu bên trong và bên ngoài mặt kính. Nếu đường kính của nồi chảo nhỏ hơn so với vùng nấu bên trong, bếp sẽ không hoạt động, hiển thị như trạng thái không có nồi chảo trên bếp.

Kích thước vùng nấu	Kích thước tối thiểu của nồi
210 mm	180 mm
145 mm	140 mm

Bật bếp

Đặt nồi chảo vào vùng nấu bạn muốn sử dụng.

Chạm phím Tắt/Mở.

Bạn sẽ thấy màn hình hiển thị 0 ở mỗi vùng nấu. Nếu việc chọn vùng nấu không được thực hiện trong 10 giây, bếp sẽ tự động tắt.

Chọn vùng nấu

Khi bật bếp, có thể chọn mức công suất cho vùng nấu bằng cách nhấn phím [-] [+]. Trong mỗi lần tăng/giảm sẽ có tiếng bíp và màn hình tương ứng sẽ hiển thị mức công suất mới.

Phím [-] [+] sẽ bị khóa:

- Nếu bếp bị tắt, hoặc
- Nếu Khóa an toàn trẻ em kích hoạt (đèn KHÓA TRẺ EM sáng), hoặc có bất kỳ lỗi vùng nấu hoặc lỗi thiết bị.

Nhấn phím [+] để tăng mức công suất lên mức 9



Nhấn phím [-] để giảm mức công suất xuống 0. Khi ở mức 0, nhấn phím [+] để tăng lên mức 9.



Sử Dụng

Chức năng Booster

Mỗi vùng nấu được trang bị chức năng booster. Khi chức năng booster được kích hoạt, vùng nấu sẽ tăng đến mức công suất tối đa trong 10 phút và màn hình sẽ hiển thị "P"

Với vùng nấu ở mức công suất 9, nhấn phím [+] để tăng công suất lên P



Sau 10 phút này, sẽ có một tiếng bíp và vùng nấu sẽ trở lại mức công suất 9. Chức năng booster này được sử dụng để nấu một lượng lớn nước cần đun sôi ví dụ như mì pasta

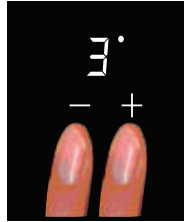
Nhấc nồi chảo ra khỏi bếp khi đang thực hiện chức năng booster sẽ làm chức năng này bị gián đoạn. Nó sẽ hoạt động trở lại nếu nồi chảo được đặt lại lên bếp.

Có thể tắt chức năng booster bằng cách chạm phím [-].



Tắt vùng nấu

Khi vùng nấu bật, có thể tắt vùng nấu bằng cách nhấn phím [-] và [+] cùng lúc. Một tiếng bíp vang lên và màn hình hiển thị “0”.



Tắt bếp

Nhấn phím Tắt/Mở

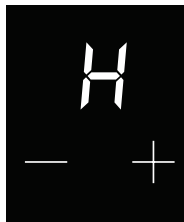
Tắt cả vùng nấu đều bị tắt. Nếu vùng nấu bất kỳ còn hoạt động, bếp sẽ chỉ báo dư nhiệt trên màn hình

Phím Tắt/Mở sẽ bị khóa khi bếp bật trong trường hợp:

- Nếu Khóa trẻ em kích hoạt, đèn KHÓA TRẺ EM sáng, hoặc
- Nếu thiết bị bị lỗi.

Chỉ báo dư nhiệt

Khi nhiệt độ bề mặt bếp lên đến 65°C, màn hình sẽ hiển thị “H”



Chỉ báo dư nhiệt cũng phản ứng khi đặt các đĩa thức ăn hoặc nồi chảo nóng lên bếp kể cả khi không bật bếp.

Không được chạm vào vùng nấu hoặc đặt bất kỳ vật dụng gì lên vùng nấu khi chỉ báo dư nhiệt sáng. Nguy cơ bị bỏng và hỏa hoạn.

Vui lòng lưu ý rằng chỉ báo dư nhiệt sẽ không sáng khi có thông báo lỗi, ngay cả khi bếp đang nóng.

Sử Dụng

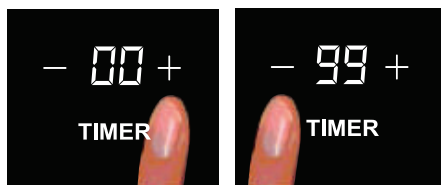
Hẹn giờ

Bộ hẹn giờ có thể cài đặt để tự động tắt đối với bất kỳ vùng nấu nào.
Hướng dẫn nhanh:

Mở	Nhấn phím [-] hoặc [+]
Cài đặt	Với phím [-] cài đặt từ 99 đến 00 phút Với phím [+] cài đặt từ 00 đến 99 phút
Đặt lại ở 00	Nhấn cùng lúc phím [-] và [+].

Cài đặt hẹn giờ

Bộ hẹn giờ có thể được cài đặt khi bếp bật. Có thể cài đặt từ 1 đến 99 phút.
Nhấn phím [-] hoặc [+] để bật chế độ hẹn giờ
Màn hình hiển thị 00.



Chạm phím [-] hoặc [+] để lựa chọn vùng nấu muốn cài đặt hẹn giờ. Việc chọn vùng nấu mới sẽ vô hiệu hóa lựa chọn trước đó theo cách mà bộ hẹn giờ chỉ hoạt động trên một vùng nấu mỗi một lần cài đặt.

Vùng nấu phải luôn được chọn trước khi cài đặt hẹn giờ, nếu không, chức năng hẹn giờ sẽ tắt.

Nếu sau khi chọn vùng nấu, thời gian không được xác định (T=00) trong 10 giây, chức năng hẹn giờ sẽ tắt.

Thời gian cài đặt đếm ngược trên màn hình được tính bằng phút. Thời gian còn lại được hiển thị và có thể thay đổi bất kỳ lúc nào bằng cách nhấn phím [-] hoặc [+]. Sau khi đặt thời gian màn hình hiển thị 00 và nghe thấy tín hiệu âm thanh. Sau một vài giây âm thanh sẽ dừng và 00 sẽ tắt.

Để kết thúc tín hiệu, nhấn phím [-] hoặc [+].

Khóa phím trẻ em

Giữ trẻ em ở xa vì sự an toàn của chúng.

Bếp được trang bị chức năng Khóa trẻ em để ngăn trẻ em vô tình bật bếp hoặc thay đổi cài đặt trước đó.

Khóa phím trẻ em có thể được kích hoạt cả khi bếp bật hoặc tắt.

Kích hoạt khóa phím trẻ em

Các cài đặt cho vùng nấu và hẹn giờ không thể thay đổi.

Vùng nấu và bếp vẫn có thể tắt, nhưng khi tắt sẽ không thể bật lại khi đang kích hoạt chức năng khóa phím trẻ em.

Kích hoạt khóa phím trẻ em khi bếp tắt

Bếp không thể bật.

Để kích hoạt khóa phím trẻ em

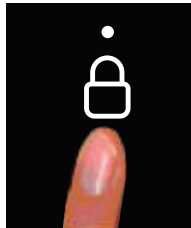
Nhấn và giữ phím tương ứng cho đến khi đèn sáng.

Khi bạn chạm phím, đèn sẽ sáng chỉ báo chức năng khóa trẻ em được kích hoạt.

Để hủy kích hoạt khóa phím trẻ em

Nhấn và giữ cho đến khi đèn chỉ báo tắt.

Trong trường hợp mất điện, khóa phím trẻ em sẽ bị vô hiệu hóa.



Đặc Tính An Toàn

Chức năng an toàn tự động tắt

Bếp có chức năng an toàn tự động tắt khi không sử dụng.

Nếu một trong các vùng nấu được làm nóng trong một thời gian dài bất thường (xem bảng) và cài đặt mức công suất không được điều chỉnh, vùng nấu sẽ tự động tắt và đèn chỉ báo dư nhiệt sẽ sáng.

Để sử dụng lại, bật vùng nấu như cách thông thường.

Mức công suất	Thời gian hoạt động tối đa
1	10
2	10
3	10
4	10
5	10
6	10
7	10
8	10
9	3

Che phủ bảng điều khiển

Bếp sẽ tự tắt nếu có bảng điều khiển nào bị che phủ trong khoảng 10 giây, ví dụ như tiếp xúc bằng ngón tay, thực phẩm hoặc khăn lau.

Làm sạch bảng điều khiển hoặc lấy những vật dụng che phủ bảng điều khiển ra.

Bật bếp một lần nữa bằng cách nhấn phím Tắt/Mở. Vùng nấu hiện giờ có thể sử dụng.

Bảo vệ dư nhiệt

Các cuộn dây cảm ứng và bộ phận làm mát là những bộ phận có tính năng bảo vệ dư nhiệt. Điều này ngăn cuộn dây cảm ứng và bộ phận làm mát không bị quá nóng.

Cơ chế này hoạt động trên các vùng nấu như sau:

- Nếu chức năng booster đang được sử dụng, nó sẽ bị tắt.
- Nếu cuộn dây cảm ứng bị ảnh hưởng, vùng nấu sẽ tự tắt. Màn hình sẽ hiển thị và chỉ báo dư nhiệt sẽ sáng.

Vùng nấu có thể sử dụng lại ngay khi nó đạt đến nhiệt độ nguội an toàn.

- Nếu bộ phận làm mát bị ảnh hưởng, tất cả các vùng nấu sẽ bị tắt và màn hình sẽ hiển thị 0 xen kẽ mức công suất đã đặt.

Khi hệ thống đã được làm mát hoàn toàn, vùng nấu sẽ tự động hoạt động ở mức công suất cài đặt ban đầu.

Hiện tượng dư nhiệt có thể bị gây ra bởi:

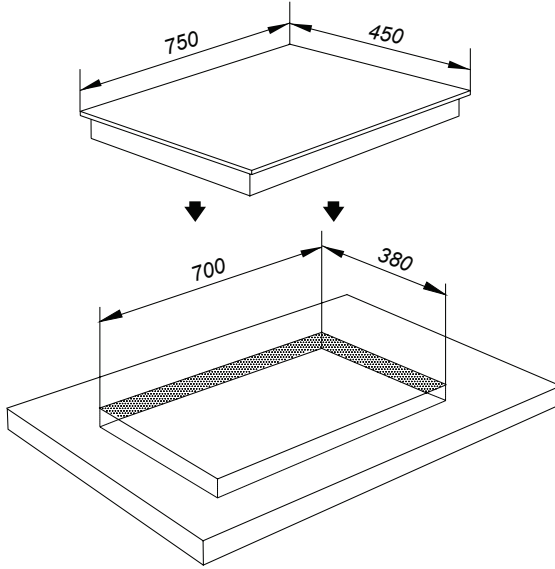
- làm nóng nồi chảo rỗng.
- chất béo hoặc dầu được làm nóng ở mức công suất cao nhất.
- không đủ thông gió phía bên dưới bếp.

Nếu có vấn đề với chức năng báo dư nhiệt theo một cách bất thường, vui lòng liên hệ với dịch vụ kỹ thuật của Malloca.

Lắp Đặt

Cắt mặt đá

Vui lòng cắt mặt đá theo rập bếp được kèm theo.



Mã sản phẩm	Kích thước cắt đá
MH-02I N	700 x 380 mm

Hãy nhớ duy trì khoảng cách tối thiểu 50mm giữa tường phía sau, bên trái hoặc bên phải. Xem phần "HƯỚNG DẪN SỬ DỤNG AN TOÀN". Bếp này được trang bị vòng đệm bên dưới để cố định bếp ở một vị trí an toàn. Các clip để cố định bếp là không cần thiết trong trường hợp này.

LƯU Ý:

Trước khi lắp đặt hoặc bảo trì, ngắt kết nối nguồn điện như là tháo cầu chì, tắt nguồn điện hoặc ngắt mạch cầu dao điện

Việc lắp đặt và sửa chữa nên được thực hiện bởi nhân viên kỹ thuật có trình độ chuyên môn phù hợp với tiêu chuẩn. Đối với trường hợp lắp đặt và sửa chữa bởi người không có chuyên môn dẫn đến nguy cơ gây nguy hiểm và nhà sản xuất không chịu trách nhiệm về các trường hợp đó.

Trước khi nối thiết bị với nguồn điện, hãy chắc chắn rằng điện áp và tần số được liệt kê trong tem thông số phù hợp với nguồn điện gia đình bạn. Dữ liệu này cần được chính xác để tránh hư hỏng thiết bị bếp.

Nguồn Cung Cấp

Đảm bảo nguồn cung cấp điện phù hợp với tem thông số.

Kết Nối

Bếp gồm 3 có dây và được yêu cầu cần được kết nối đất.

Dòng điện được yêu cầu để sử dụng hợp lý cho mạch điện của bếp.

MH-02I N: 20A

Để biết thêm thông tin, xem sơ đồ dây điện được cung cấp cùng với thiết bị.

CHÚ Ý: THIẾT BỊ CẦN ĐƯỢC NỐI ĐẤT!

Kết Nối Nguồn Điện

MH 02I N

