

## C45017 Amanda wall hung flush valve toilet Back Inlet (P-Trap)

### Selling Point

- With only 4.5 liters of water, everything is clean with one flush. (Save 25% more, when compared with 6 liters)
- Hygiene. Less stain and easy to clean.
- More comfortable with long toilet seat, elongated shape.

### Product descriptions

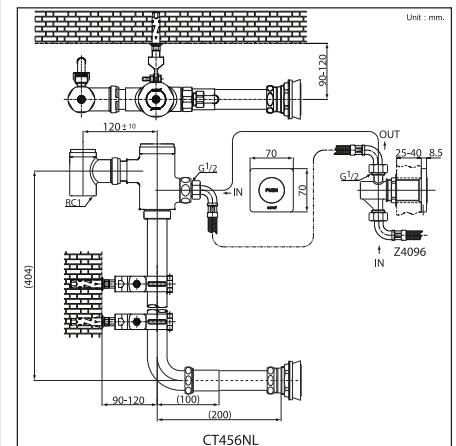
- Standard : TIS 792 - 2554
- Water Closet : wall hung flush valve toilet
- Size : 370 x 640 x 370 mm.
- Bowl Shape : Elongated
- Outlet : P-Trap , rough-in 150 mm.
- Flush System : Siphon Jet
- Water Consumption : 4.5 Liters



Dimension ware	Dimension pack.	Unit
370 x 640 x 370	400 x 710 x 410	mm.
Net whight	Gross whight	Unit
20.00	29.00	kg.

### INSTALLATION MANUAL : CONCEALED TOILET FLUSH VALVE

#### Installation and dimension

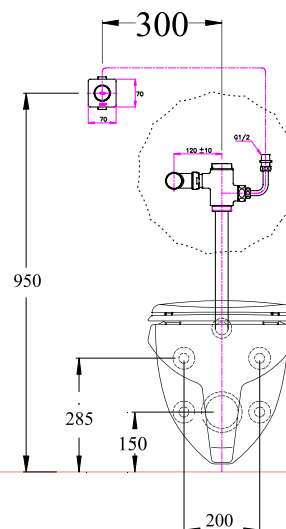
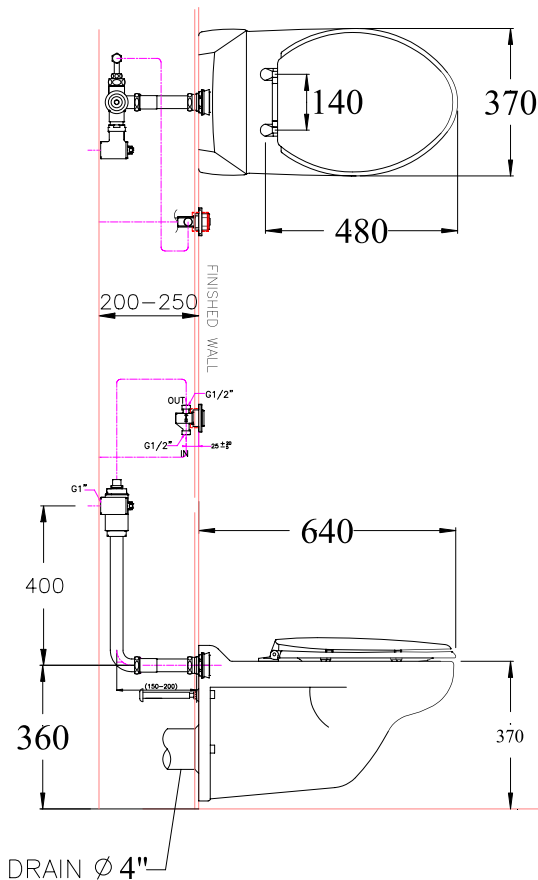


\*\* CT 456NL(LCX)  
LEED V=FLOW RATE 3.8 LPF@PRESSURE 0.24&0.55 MPa

\*\* CT 456NL(L4CX)  
LEED V4=FLOW RATE 3.04 LPF@PRESSURE 0.24&0.55 MPa

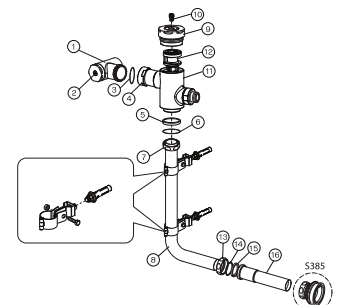
### INSTALLATION MANUAL : CONCEALED TOILET FLUSH VALVE

Problem	Check point	Solution
Leak around joints.	- Improper assembly the lock nut is not well tightened. The packing is damaged.	- Disassemble and then reassemble. (as shown in figure). - Change the new packing.
Can not close	- Strainer or orifice is clogged. - Packing dirty	- Screw turn off (3) disassemble piston cover (8), piston(13) and clean strainer and orifice.



### INSTALLATION MANUAL : CONCEALED TOILET FLUSH VALVE

#### Part list



- |                    |                      |
|--------------------|----------------------|
| 1. Body stop valve | 9. Cover             |
| 2. Machine screw   | 10. Adjusting        |
| 3. Ring            | 11. Body flush valve |
| 4. Lock nut        | 12. Piston           |
| 5. Packing         | 13. Lock nut         |
| 6. Slipping washer | 14. Washer           |
| 7. Lock nut        | 15. Packing          |
| 8. Outlet pipe     | 16. Outlet pipe      |