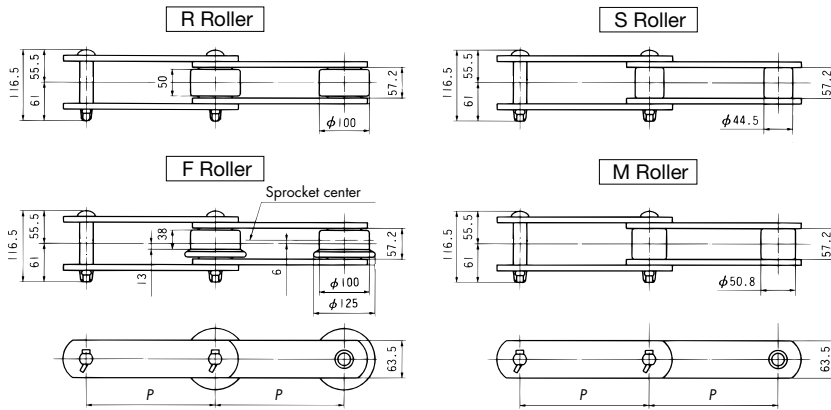
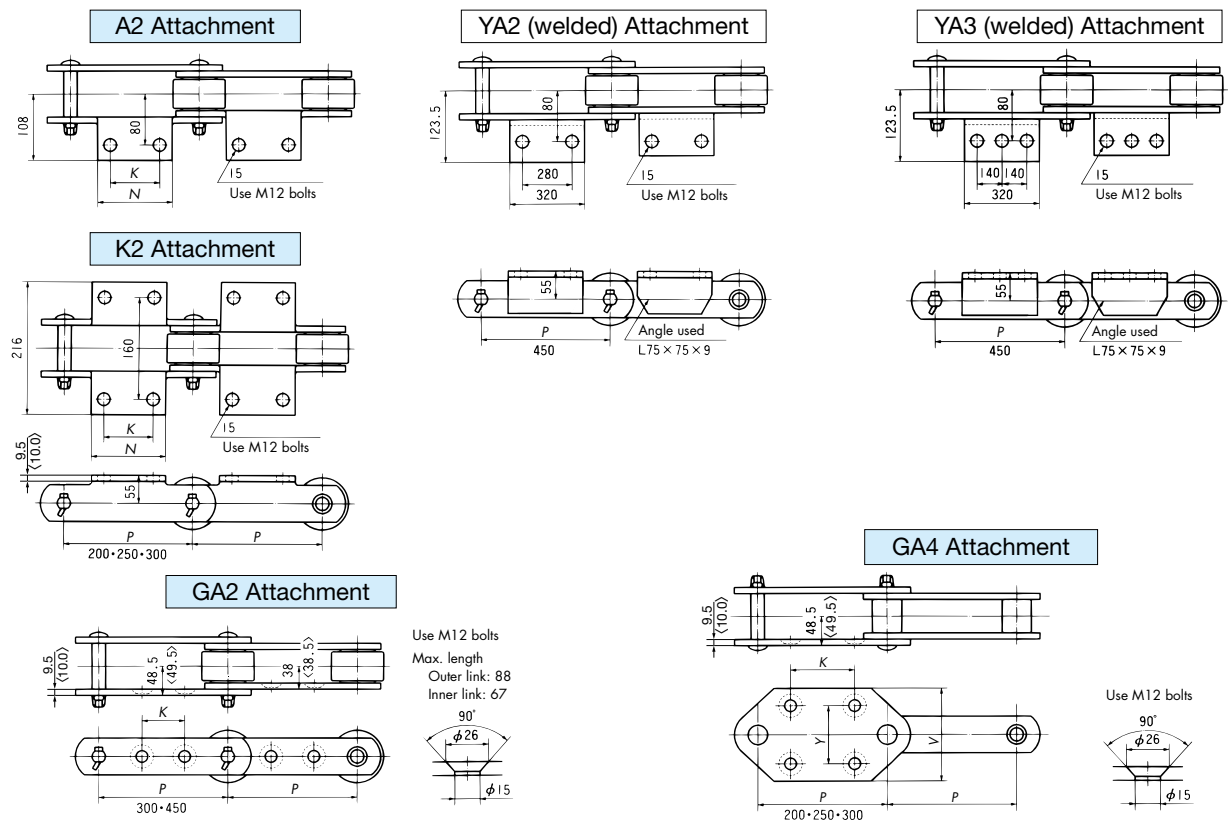


Metric Pitches (Dimensions) RF26200 • RF26250 • RF26300 • RF26450



T-pin Nominal Diameter
 $\phi 6 (5.6) \times 33\ell$
 Note: Actual diameter given inside parentheses ().



Size	Pitch P	Attachment						Attachment and Roller Combinations					Approximate Mass kg/m				A Attachment Mass kg/each	GA4 Attachment Mass kg/each
		A • K		GA2		GA4		A2 K2	YA2 (welded)	YA3 (welded)	GA2	GA4	R Roller	F Roller	S Roller	M Roller		
		N	K	K	K	V	Y											
RF26200	200	120	80	-	100	120	80	S/M	-	-	-	S/M	-	-	16	17	0.74	19 (20)
RF26250	250	170	125	-	140	150	100	R/F/S/M	-	-	-	S/M	26	27	15	16	1.01	18 (19)
RF26300	300	220	180	140	180	150	100	R/F/S/M	-	-	R/F/S/M	S/M	23	24	14	15	1.34	17 (18)
RF26450	450	See dwg	See dwg	220	-	-	-	R/F/S/M	R/F/S/M	R/F/S/M	-	-	19	19	13	13	3.19	-

Size	Maximum Allowable Load kN{kgf}							
	DT Series	DTA Series	AT Series	ATA Series	GS Series	GSA Series	SS Series	SSA Series
RF26200								
RF26250	44.9{4570}	44.9{4570}	74.3{7580}	89.1{9090}	46.1{4700}	59.9{6100}	20.8{2120}	20.8{2120}
RF26300								
RF26450								

- Note: 1. The mass of A attachments in the chart is the additional mass (kg) per attachment. For K attachments, multiply this number by two.
 2. The mass of the GA4 attachment in the chart is the mass (kg/m) when S Rollers are attached every other link. Values in parentheses () are for M Rollers.
 3. Values in < > are for SS and SSA Series.
 4. Contact a Tsubaki representative if using a guide on A or K attachment sides.
 5. Attachments written in are standard attachments.
 6. The dimensions given above are nominal dimensions and may differ from actual dimensions.