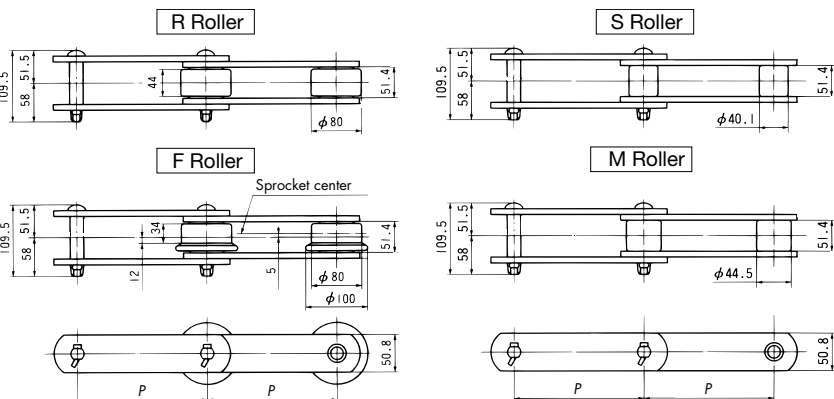
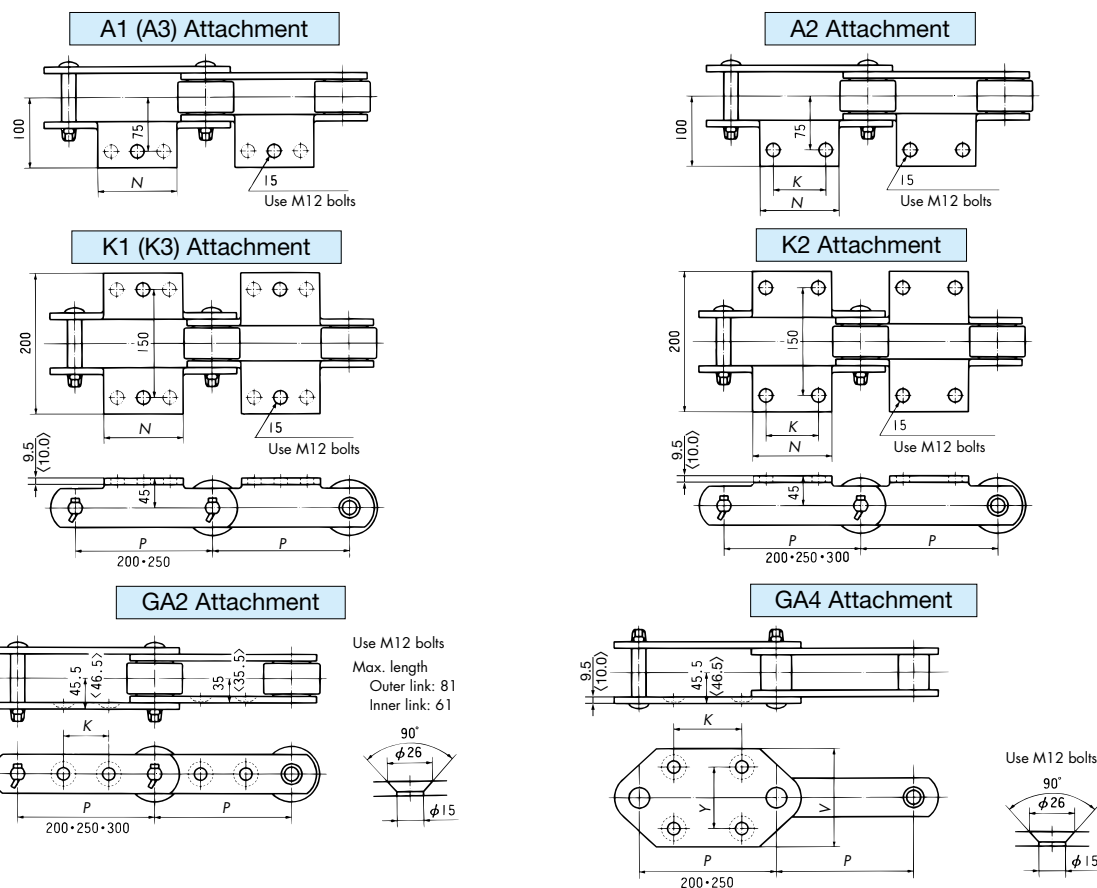


Metric Pitches (Dimensions) RF17200 • RF17250 • RF17300



T-pin Nominal Diameter
 $\phi 6 (5.6) \times 33\ell$
 Note: Actual diameter given inside parentheses ().



Size	Pitch P	Attachment						Attachment and Roller Combinations					Approximate Mass kg/m				A Attachment Mass kg/each	GA4 Attachment Mass kg/each
		A • K		GA2		GA4		A1 K1	A2 K2	YA2 (welded)	GA2	GA4	R Roller	F Roller	S Roller	M Roller		
		N	K	K	K	V	Y											
RF17200	200	120	80	70	100	120	80	R/F/S/M	R/F/S/M	-	R/F/S/M	S/M	20	21	12	13	0.64	14 (15)
RF17250	250	170	125	110	140	150	100	R/F/S/M	R/F/S/M	-	R/F/S/M	S/M	17	18	11	12	0.88	15 (16)
RF17300	300	220	180	150	-	-	-	R/F/S/M	R/F/S/M	-	R/F/S/M	-	16	16	11	11	1.26	-

Size	Maximum Allowable Load kN{kgf}							
	DT Series	DTA Series	AT Series	ATA Series	GS Series	GSA Series	SS Series	SSA Series
RF17200								
RF17250	35.0{3570}	35.0{3570}	55.3{5640}	66.3{6770}	35.8{3650}	46.5{4750}	15.5{1580}	15.5{1580}
RF17300								

- Note: 1. The mass of A attachments in the chart is the additional mass (kg) per attachment. For K attachments, multiply this number by two.
 2. The mass of the GA4 attachment in the chart is the mass (kg/m) when S Rollers are attached every other link. Values in parentheses () are for M Rollers.
 3. Values in < > are for SS and SSA Series.
 4. Contact a Tsubaki representative if using a guide on A or K attachment sides.
 5. Attachments written in are standard attachments.
 6. The dimensions given above are nominal dimensions and may differ from actual dimensions.