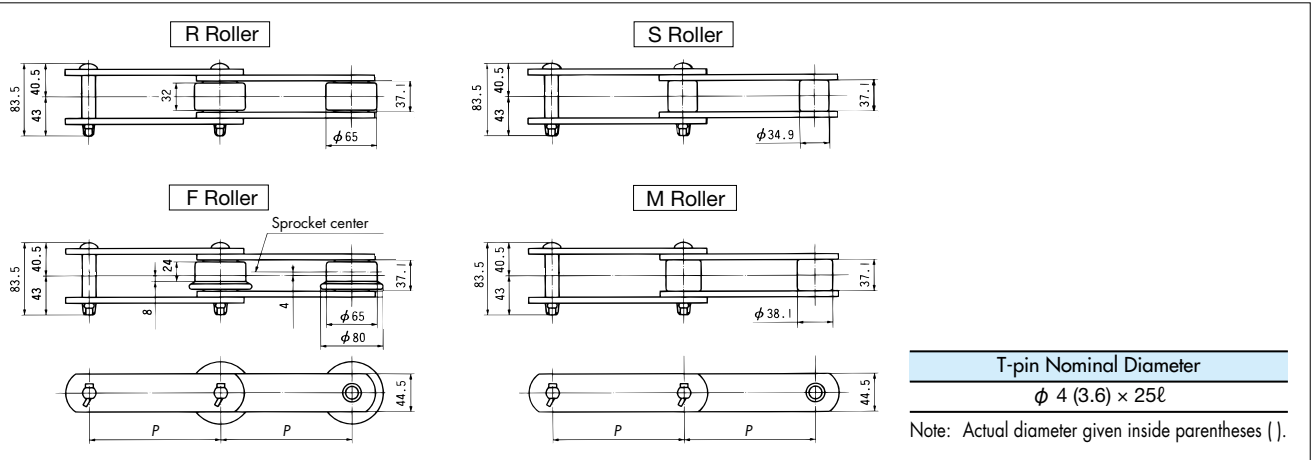
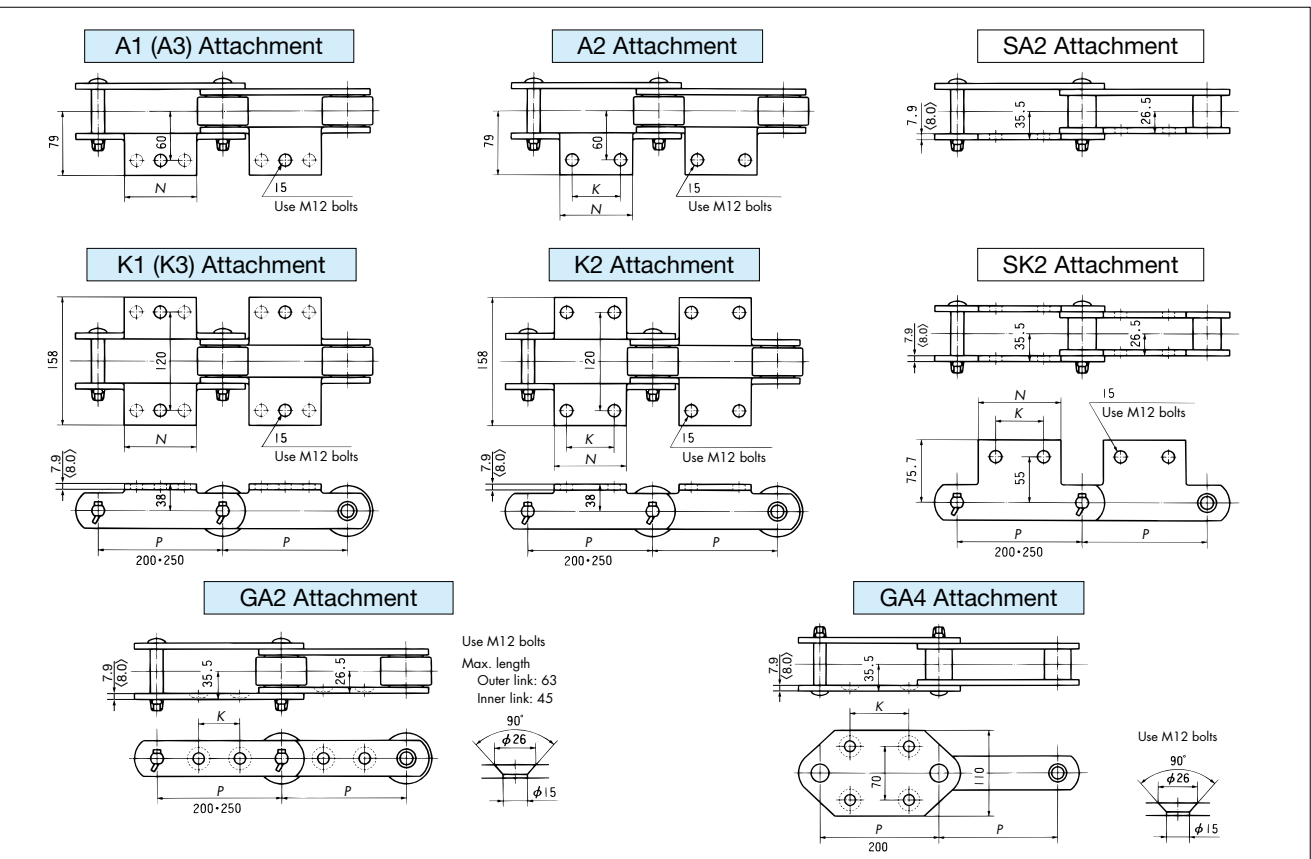


Metric Pitches (Dimensions) RF12200 • RF12250



T-pin Nominal Diameter
 $\phi 4 (3.6) \times 25l$
 Note: Actual diameter given inside parentheses ().



Size	Pitch P	Attachment				Attachment and Roller Combinations					Approximate Mass kg/m				A Attachment Mass kg/each	GA4 Attachment Mass kg/each
		A • K • SA • SK	GA2	GA4		A1 K1	A2 K2	SA2 SK2	GA2	GA4	R Roller	F Roller	S Roller	M Roller		
RF12200	200	120	80	80	100	R/F/S/M	R/F/S/M	R/S/M	R/F/S/M	S/M	11.6	12.1	8.3	8.6	0.44	10.3(10.6)
RF12250	250	170	125	125	-	R/F/S/M	R/F/S/M	R/S/M	R/F/S/M	-	10.5	10.8	7.8	8.0	0.61	-

Size	Maximum Allowable Load kN(kgf)							
	DT Series	DTA Series	AT Series	ATA Series	GS Series	GSA Series	SS Series	SSA Series
RF12200	26.6{2710}	26.6{2710}	39.9{4060}	47.8{4880}	26.5{2700}	34.5{3500}	11.0{1120}	11.0{1120}
RF12250								

- Note: 1. The mass of A attachments in the chart is the additional mass (kg) per attachment. For K attachments, multiply this number by two.
 2. The mass of the GA4 attachment in the chart is the mass (kg/m) when S Rollers are attached every other link. Values in parentheses () are for M Rollers.
 3. Values in < > are for SS and SSA Series.
 4. Contact a Tsubaki representative if using a guide on A or K attachment sides.
 5. Attachments written in are standard attachments.
 6. The dimensions given above are nominal dimensions and may differ from actual dimensions.