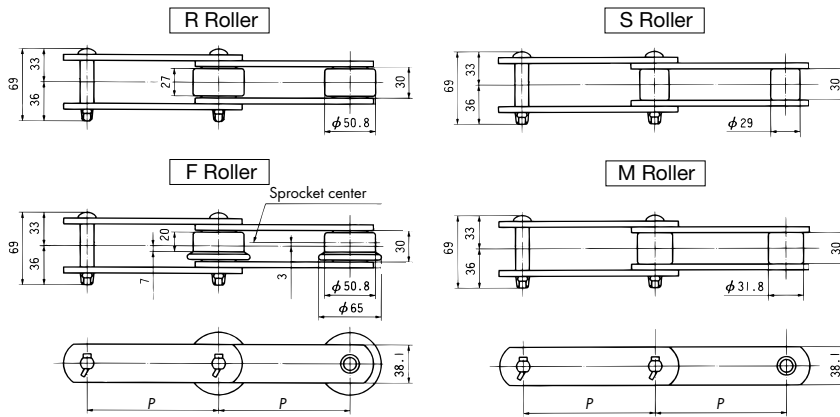
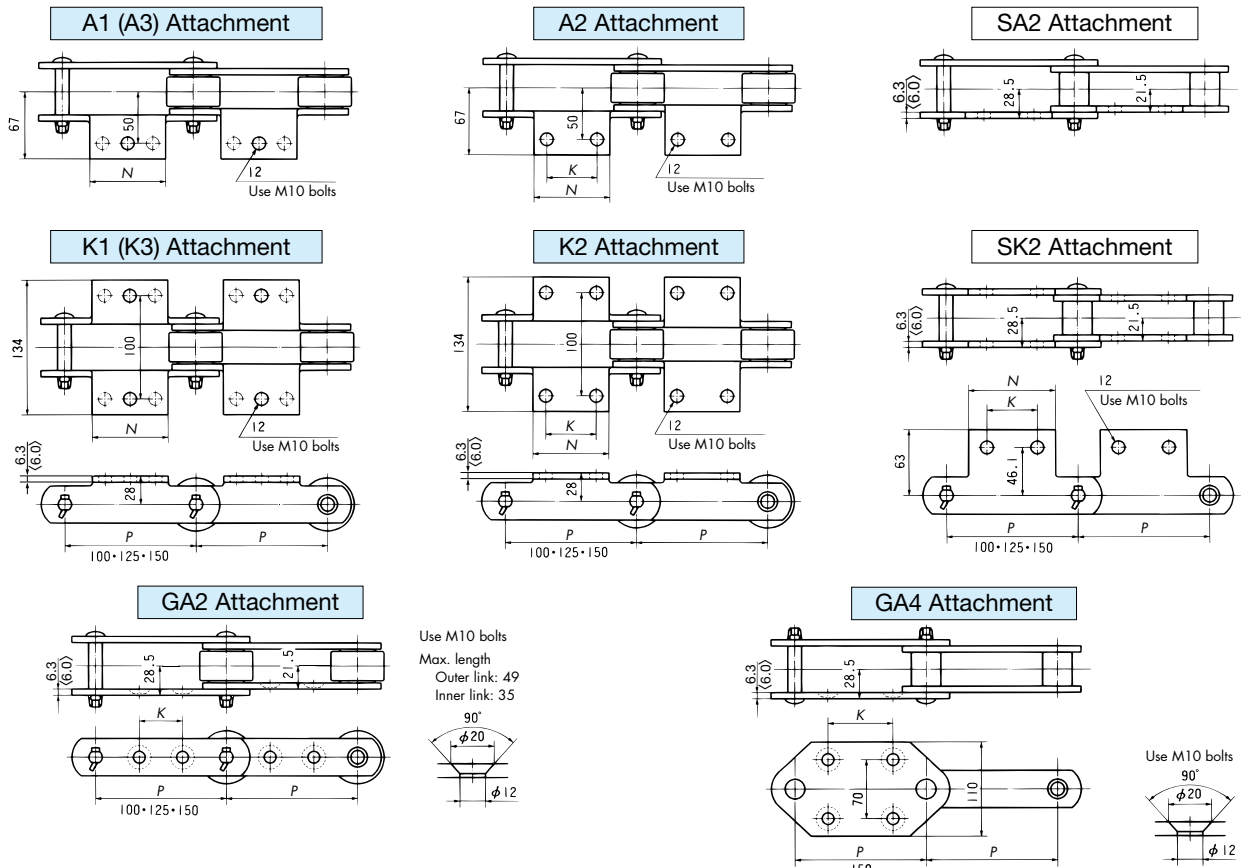


Metric Pitches (Dimensions) RF10100 • RF10125 • RF10150



T-pin Nominal Diameter
 $\phi 4 (3.6) \times 25\ell$
 Note: Actual diameter given inside parentheses ().



Size	Pitch P	Attachment				Attachment and Roller Combinations	Approximate Mass kg/m				A Attachment Mass kg/each	GA4 Attachment Mass kg/each					
		A • K • SA • SK	GA2	GA4			R Roller	F Roller	S Roller	M Roller							
RF10100	100	N	K	K	K	A1 K1	R/S/M	R/S/M	R/S/M	S/M	-	10	-	7.0	7.3	0.16	-
RF10125	125	70	40	30	-	R/S/M	R/S/M	R/S/M	R/S/M	-	8.7	9.0	6.3	6.5	0.18	-	-
RF10150	150	80	50	40	-	R/S/M	R/S/M	R/S/M	R/S/M	-	8.0	8.3	5.9	6.1	0.20	7.7 (7.9)	-

Size	Maximum Allowable Load kN(kgf)							
	DT Series	DTA Series	AT Series	ATA Series	GS Series	GSA Series	SS Series	SSA Series
RF10100								
RF10125	17.6{1790}	17.6{1790}	32.3{3290}	38.7{3950}	17.7{1800}	23.0{2350}	9.00{920}	9.00{920}
RF10150								

- Note: 1. The mass of A attachments in the chart is the additional mass (kg) per attachment. For K attachments, multiply this number by two.
- Note: 2. The mass of the GA4 attachment in the chart is the mass (kg/m) when S Rollers are attached every other link. Values in parentheses () are for M Rollers.
- Note: 3. Values in < > are for SS and SSA Series.
- Note: 4. Contact a Tsubaki representative if using a guide on A or K attachment sides.
- Note: 5. Attachments written in are standard attachments.
- Note: 6. The dimensions given above are nominal dimensions and may differ from actual dimensions.