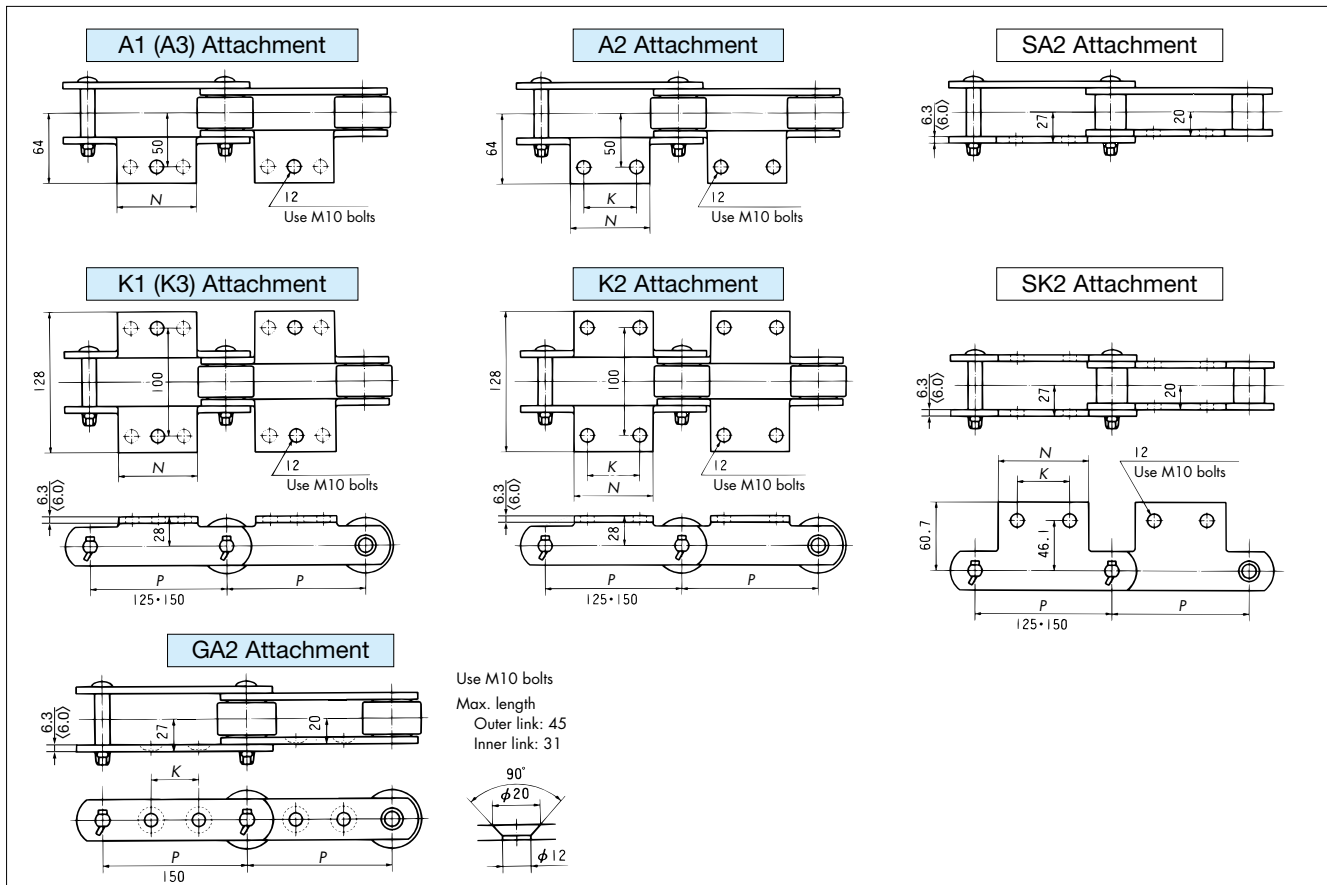
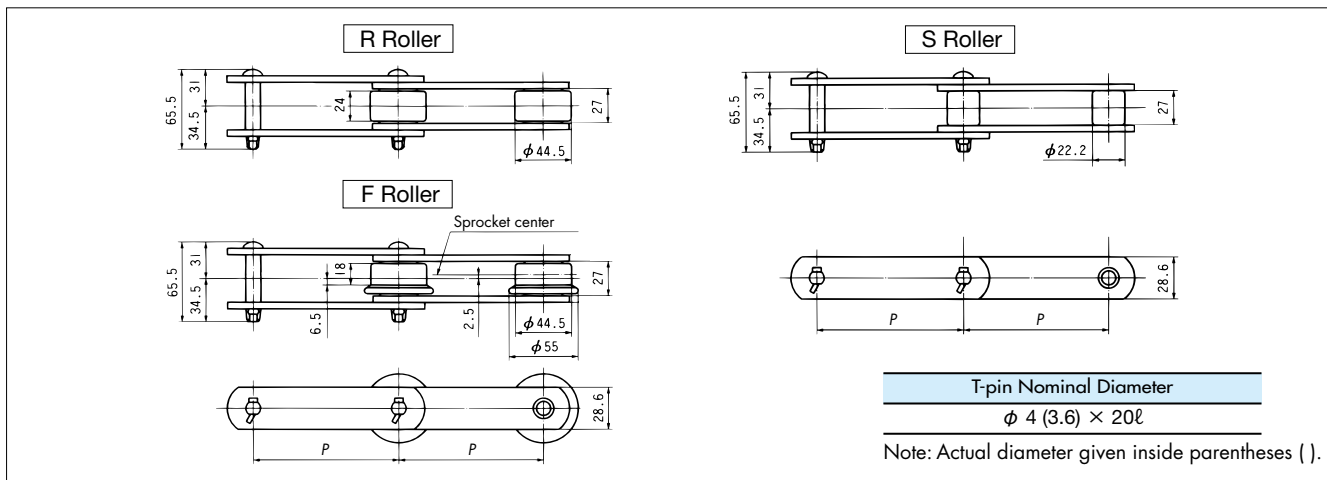


## Metric Pitches (Dimensions) RF08125 • RF08150



Size	Pitch P	Attachment			Attachment and Roller Combinations				Approximate Mass kg/m			A Attachment Mass kg/each
		A • K • SA • SK		GA2	A1	A2	SA2	GA2	R Roller	F Roller	S Roller	
		N	K	K	K1	K2	SK2					
<b>RF08125</b>	125	80	50	—	R/F/S	R/F/S	R/S	—	5.9	6.2	4.2	0.19
<b>RF08150</b>	150	90	60	60	R/F/S	R/F/S	R/S	R/F/S	5.6	5.8	4.0	0.23

Size	Maximum Allowable Load kN{kgf}								
	DT Series	DTA Series	AT Series	ATA Series	GS Series	GSA Series	SS Series	SSA Series	
<b>RF08125</b>	11.2{1140}	11.2{1140}	20.3{2070}	24.3{2480}	12.3{1250}	16.0{1650}	5.70{580}	5.70{580}	
<b>RF08150</b>									

- Note: 1. The mass of A attachments in the chart is the additional mass (kg) per attachment. For K attachments, multiply this number by two.  
 2. Values in < > are for SS and SSA Series.  
 3. Contact a Tsubaki representative if using a guide on A or K attachment sides.  
 4. Attachments written in   are standard attachments.  
 5. The dimensions given above are nominal dimensions and may differ from actual dimensions.