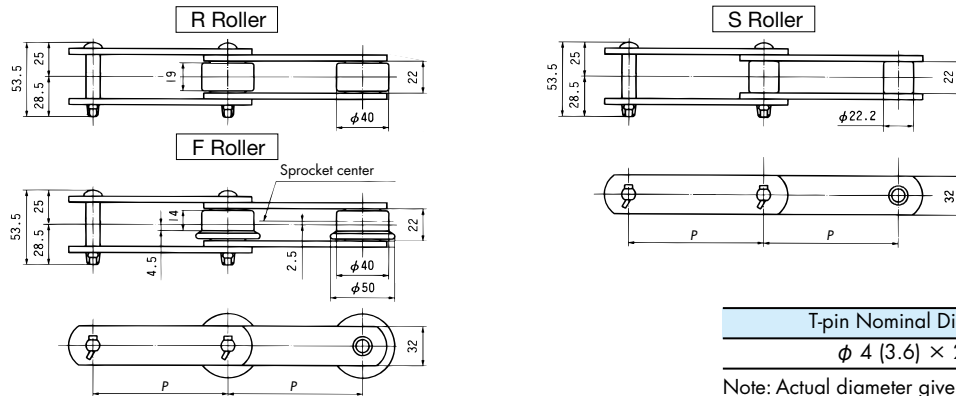
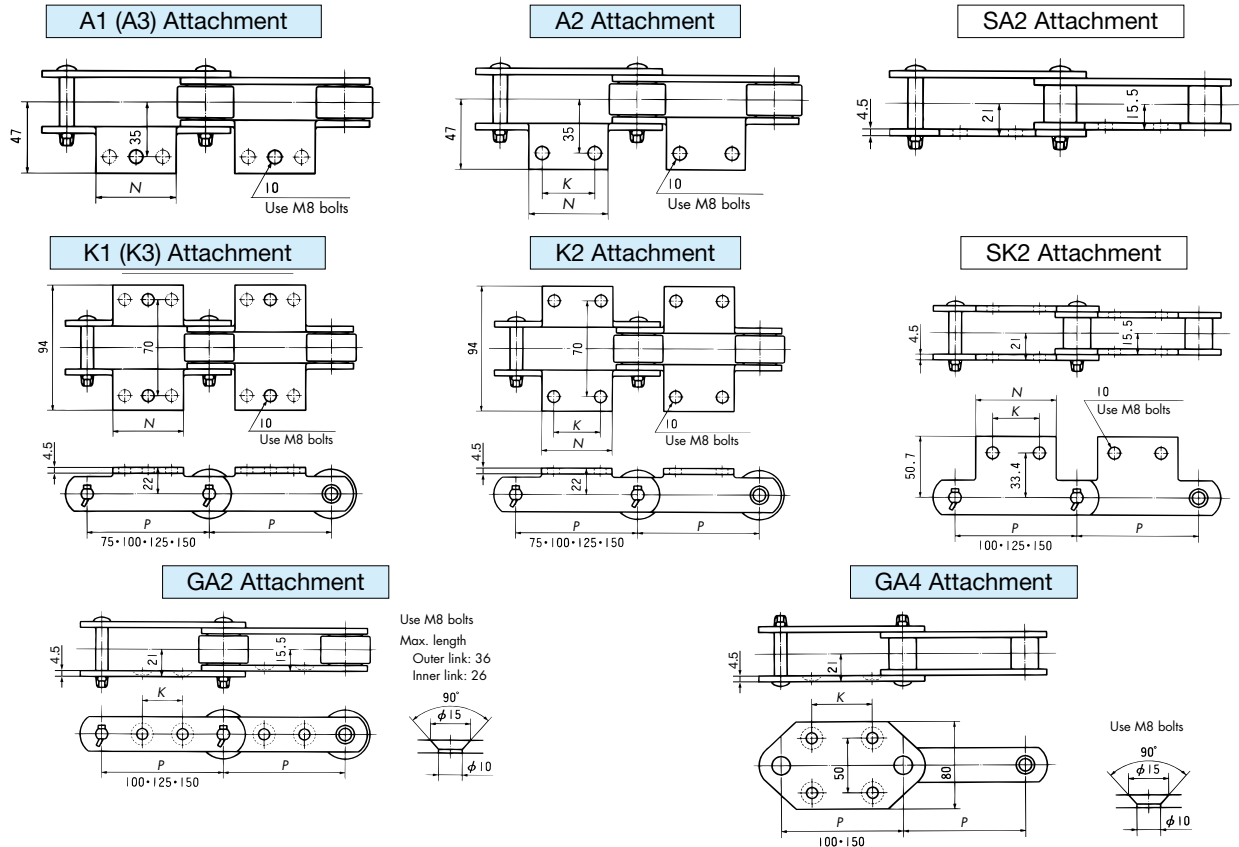


Metric Pitches (Dimensions) RF05075 • RF05100 • RF05125 • RF05150



T-pin Nominal Diameter
 $\phi 4 (3.6) \times 20\ell$
 Note: Actual diameter given inside parentheses ().



Size	Pitch P	Attachment					Attachment and Roller Combinations					Approximate Mass kg/m			A Attachment Mass kg/each	GA4 Attachment Mass kg/each
		A • K • SA • SK	GA2	GA4	A1	A2	SA2	GA2	GA4	R Roller	F Roller	S Roller				
		N	K	K	K1	K2	SK2									
RF05075	75	55	30	-	-	S	S	-	-	-	-	-	4.3	0.06	-	
RF05100	100	65	40	40	50	R/F/S	R/F/S	R/S	R/S	S	5.2	5.4	3.8	0.07	4.6	
RF05125	125	75	50	50	-	R/F/S	R/F/S	R/S	R/F/S	-	4.5	4.6	3.4	0.08	-	
RF05150	150	85	60	60	70	R/F/S	R/F/S	R/S	R/F/S	S	4.2	4.4	3.3	0.10	4.1	

Size	Maximum Allowable Load kN{kgf}							
	DT Series	DTA Series	AT Series	ATA Series	GS Series	GSA Series	SS Series	SSA Series
RF05075	9.80{1000}	9.80{1000}	20.3{2070}	-	10.8{1100}	14.0{1450}	5.70{580}	5.70{580}
RF05100								
RF05125								
RF05150								

- Note: 1. The mass of A attachments in the chart is the additional mass (kg) per attachment. For K attachments, multiply this number by two.
 2. The mass of the GA4 attachment in the chart is the mass (kg/m) when S Rollers are attached every other link.
 3. Contact a Tsubaki representative if using a guide on A or K attachment sides.
 4. Attachments written in are standard attachments.
 5. The dimensions given above are nominal dimensions and may differ from actual dimensions.