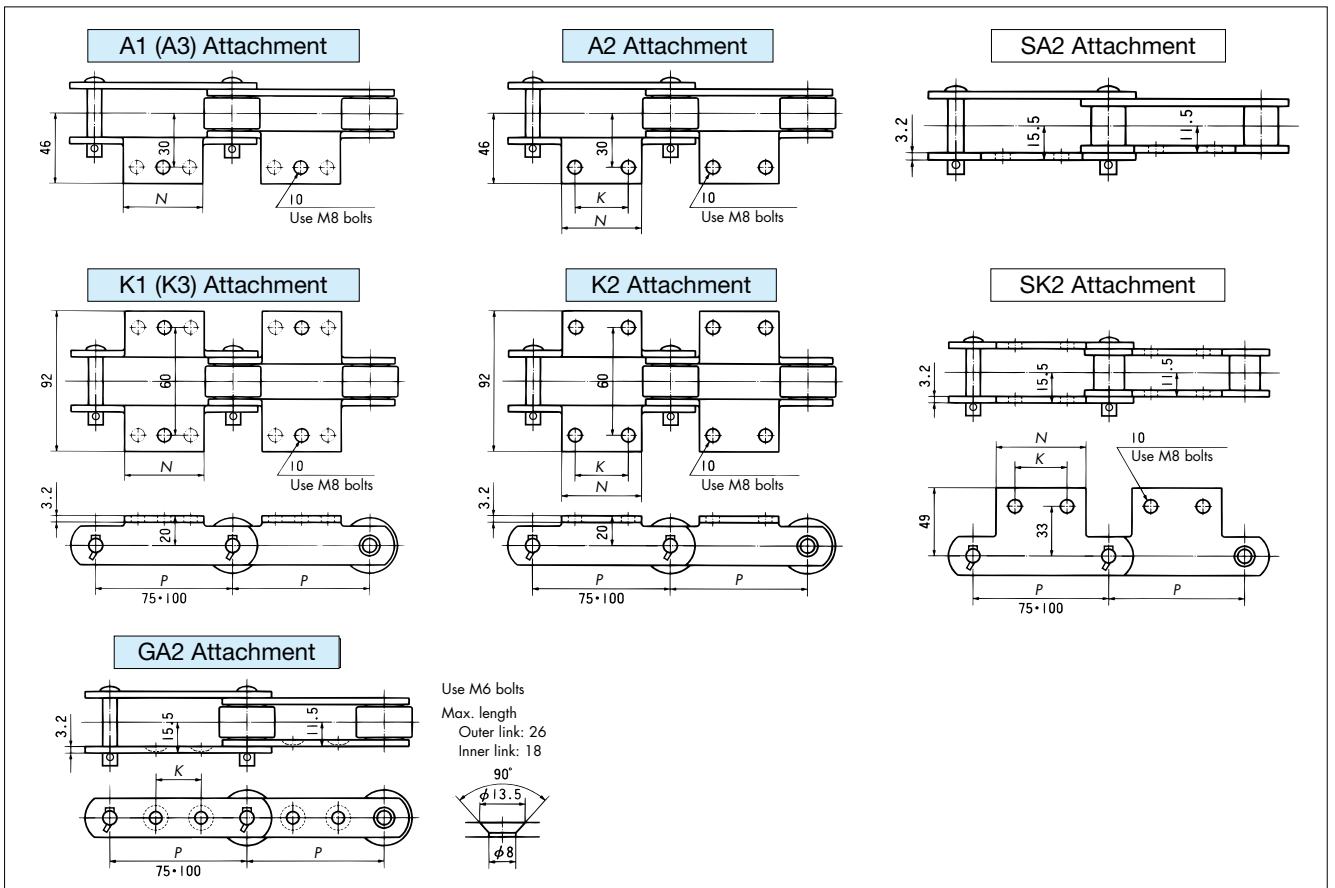
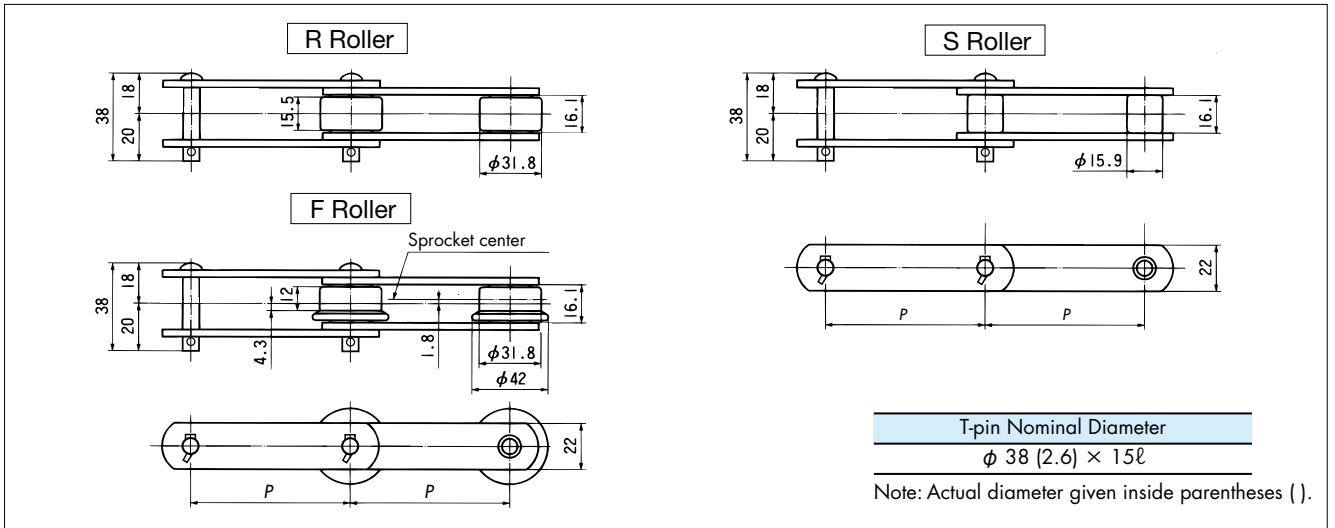


## Metric Pitches (Dimensions) RF03075 • RF03100



Size	Pitch P	Attachment			Attachment and Roller Combinations				Approximate Mass kg/m			A Attachment Mass kg/each
		A • K • SA • SK	GA2		A1 K1	A2 K2	SA2 SK2	GA2	R Roller	F Roller	S Roller	
<b>RF03075</b>	75	N	K	K	R/F/S	R/F/S	R/S	R/S	2.8	2.9	1.8	0.06
<b>RF03100</b>	100	N	K	K	R/F/S	R/F/S	R/S	R/S	2.4	2.5	1.6	0.07

Size	Maximum Allowable Load kN{kgf}								
	DT Series	DTA Series	AT Series	ATA Series	GS Series	GSA Series	SS Series	SSA Series	
<b>RF03075</b>	4.20{430}	4.20{430}	9.95{1010}	—	5.40{550}	7.02{720}	2.80{280}	2.80{280}	
<b>RF03100</b>	4.20{430}	4.20{430}	9.95{1010}	—	5.40{550}	7.02{720}	2.80{280}	2.80{280}	

- Note: 1. The mass of A attachments in the chart is the additional mass (kg) per attachment. For K attachments, multiply this number by two.  
 2. Contact a Tsubaki representative if using a guide on A or K attachment sides.  
 3. Attachments written in    are standard attachments.  
 4. The dimensions given above are nominal dimensions and may differ from actual dimensions.