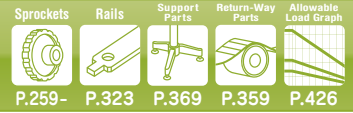


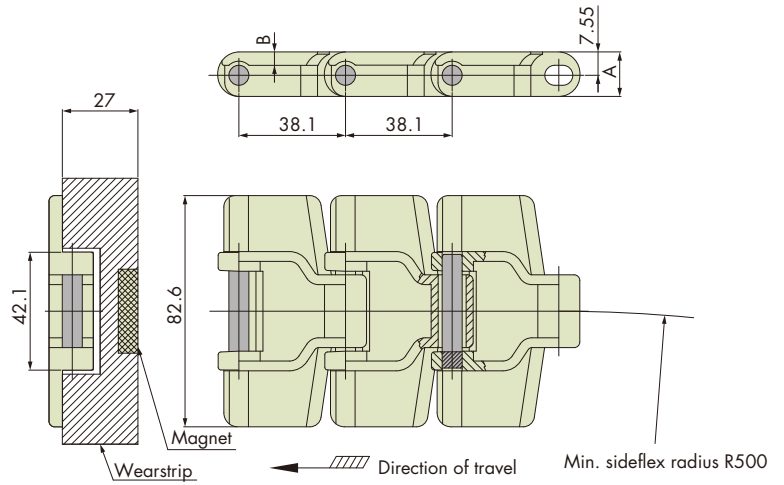
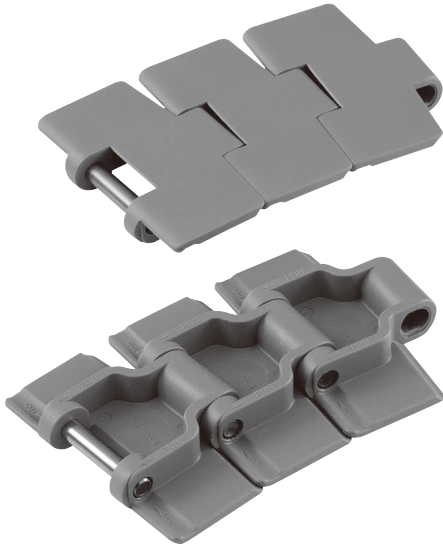
Plastic Top Chain TTUP(T)-M

Sideflexing Running



Features

Magnetic stainless steel pins are adopted, making this type of chain ideal for preventing chain from floating in curved section when used in combination with plastic rails that have embedded magnets.



Chain pitch mm	Backflex radius mm	Number of links per unit
38.1	50	80

Chain Material Table

Standard Chain	
Material	Low friction/Wear resistant
Material mark	LFB
Link color	Brown
Max. allowable load kN {kgf}	0.98{100}
Max. allowable speed m/min	With lube: 100 No lube: 50
Operating temperature range °C	-20 to (65)80
Pin material	Stainless steel pin (magnetic)
Pin type	Knurled pin
Availability	△

- Note: 1. "△": Made-to-order product (RFQ).
 Not available for other chain materials that are not listed in the chain material table on the left.
 2. Operating temperature of (the value in parentheses) is for wet conditions.
 3. Connecting pins are not for sale separately.
 4. Plastic pin type is not available.
 5. Contact a Tsubaki representative for information about magnet-embedded curved plastic rails.

Tsubaki Model Table

Material	Low friction/Wear resistant	Link height A	Top plate thickness B	Top plate width	Chain mass kg/m
Material mark	LFB				
Chain type	TTUP826M-LFB	15.1	4.0	82.6	1.05
	TTUPT826M-LFB	15.9	4.8		1.15

Note: Chain type in normal face are made-to-order products.

Model Numbering

Chain type	Top plate width	Chain type	Material mark	Number of links	Unit
TTUP	826 ^{Note: 2}	M	LFB	80 ^{Note: 3}	L
M: Magnetic type					L: Link

- Note: 1. Do not leave space between letters and symbols.
 2. Please check the width of the top plate in the Tsubaki model table above.
 3. Minimum quantity: 2, maximum quantity: 99999.