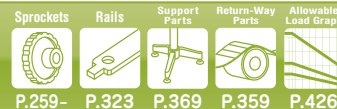


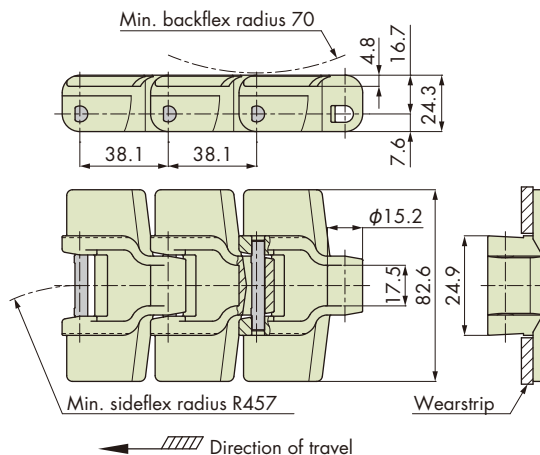
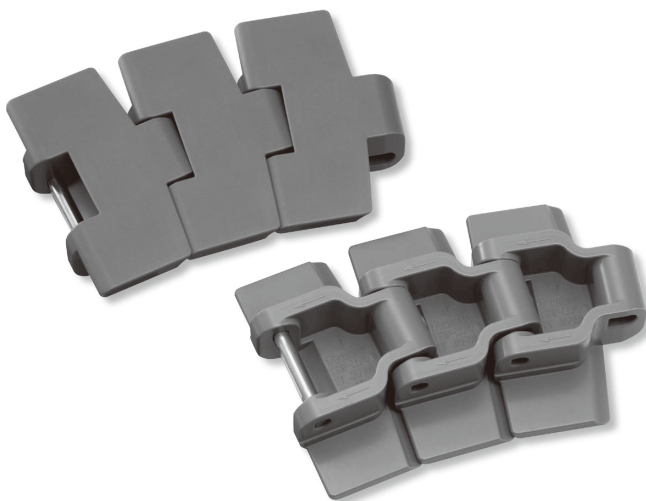
Plastic Top Chain TTUP-LLPC

Sideflexing Running



Features

1. The lowered center of gravity of its pins prevents the chain from floating even with a relatively small sideflex radius.
2. Sprockets for TPS and TTUP can be used with standardized parts.



Chain pitch mm	Backflex radius mm	Number of links per unit
38.1	70	80

Chain Material Table

Material	Standard Chain							High-Function Chain						
	Standard			Low friction/ Wear resistant		Advanced low friction/ Wear resistant	Low friction		Low friction/ Wear resistant	Electrostatic preventive	Middle friction	Ultraviolet resistant	Food conveying	
Material mark	—	B	BL	LFW	LFG	LFB	ALF	NLF	WR	HG	SE	MF	UVR	PFS
Link color	Gray	Blue	Sky blue	White	Green	Brown	Light blue	Dark gray	Dark green	Navy blue	Gray	Yellow	Light gray	Nile blue
Max. allowable load kN {kgf}	1.08{110}											0.80 {81}	1.08{110}	
Max. allowable speed m/min	100											—	100	
	50													
Operating temperature range °C	-20 to 80		-20 to (65)80		-20 to 80	-20 to (65)80	-20 to 80	-20 to 80	-20 to (65)80	-20 to 80				
Pin material	SUS304													
Pin type	D-pin													
TTUP826-LLPC	△	△	△	△	△	△	△	●	△	△	△	△	△	△

Note: 1. "●": Standard product, "△": Made-to-order products (RFQ). Not available for other chain materials that are not listed in the chain material table above.
 2. Operating temperature of (the value in parentheses) is for wet conditions.
 3. Plastic pin type is not available.

Tsubaki Model Table

Material	Low friction	Top plate width	Chain mass kg/m
Material mark	NLF		
Chain type	TTUP826-LLPC-NLF	82.6	1.20

Note: 1. Chain type in boldface is a standard product.
 2. The chain mass of the chain materials available whose information are not described in above are the same with that in the Tsubaki model table above.

Connecting Pin

1. SUS304 D-pin
Tsubaki model no. **TPU-SUS-JPD**

Model Numbering

Chain type	Top plate width	Chain type	Material mark	Number of links	Unit
TTUP	826 <small>Note: 2</small>	- LLPC	- NLF <small>Note: 3</small>	+ 80 <small>Note: 4</small>	L
					L: Link

Note: 1. Do not leave space between letters and symbols.
 2. Please check the width of the top plate in the Tsubaki model table above.
 3. Please check the chain material and material marks in the chain material table above.
 4. Minimum quantity: 2, maximum quantity: 99999.