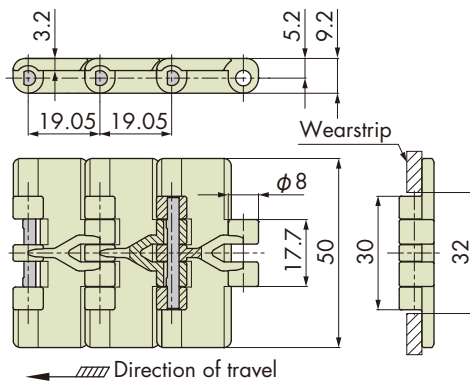
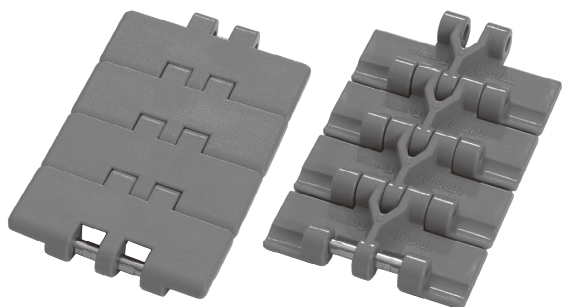


## Features

1. Adopts chain pitch of approx. half of conventional chains. Effective to reduce noise and to save space of transfer section.
2. Suitable for conveying small products such as batteries and vials for medical use due to its top plate width of 50.0 mm.
3. The high temperature (HTW) series are superior to standard chain listed in chain material table below in terms of chemical resistance, and provide a longer life even under use where chemical adherence is common.



Chain pitch mm	Backflex radius mm	Number of links per unit
19.05	25	160 <small>Note</small>

Note: As of 2013, the number of links per unit has changed.

## Chain Material Table

Material	Standard Chain							High-Function Chain			
	Standard			Low friction/Wear resistant			Advanced low friction/ Wear resistant	Low friction		Low friction/ Wear resistant	High temperature
Material mark	W	B	BL	LFW	LFG	LFB	ALF	NLF	WR	HG	HTW
Link color	White	Blue	Sky blue	White	Green	Brown	Light blue	Dark gray	Dark green	Navy blue	White
Max. allowable load kN {kgf}	0.29{30}										0.15 {15}
Max. allowable speed m/min	With lube										100
	No lube										50
Operating temperature range °C	-20 to 80			-20 to (65)80			-20 to 80	-20 to (65)80	-20 to 80	-20 to (65)80	5 to 105
Pin material	SUS304										
Pin type	D-pin										
TTPM500	●	△	●	○	○	○	○	△	○	○	○

Note: 1. "●": Standard products, "○": Made-to-order products, "△": Made-to-order products (RFQ).

Not available for other chain materials that are not listed in the chain material table above.

2. Operating temperature of (the value in parentheses) is for wet conditions.

3. Can be connected with TTDS-20, which was obsolete round pin type.

4. Plastic pin type is not available.