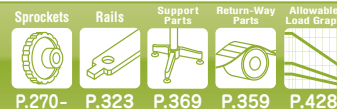


Plastic Universal Chain TPUN-LH

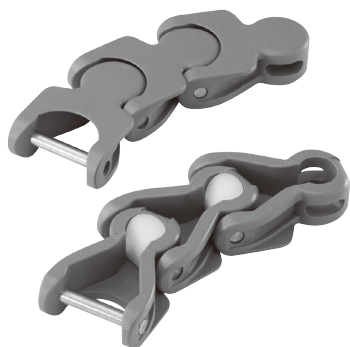
Sideflexing Running



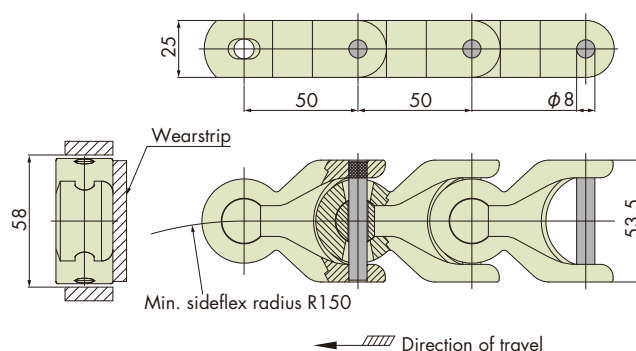
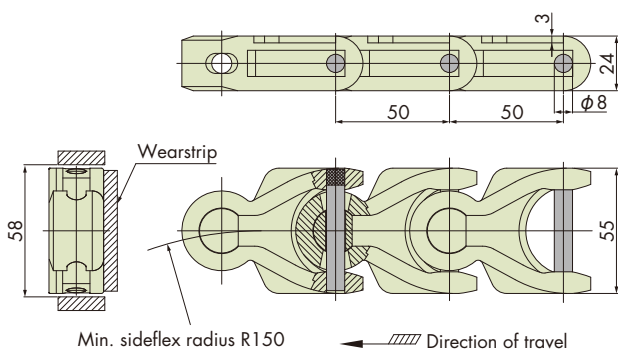
Features

1. Small sideflex radius (150 mm) enables more compact conveyor layouts.
2. The link height, which is slightly shorter than TPUN, is commonly found in the global market.

● TPUN550-LH



● TPUN550-LH



Chain pitch mm	Backflex radius mm	Number of links per unit
50	25	61

Chain Material Table

Standard Chain	
Material	Standard
Material mark	—
Link color	Gray
Max. allowable load kN (kgf)	1.96 {200}
Max. allowable speed m/min	With lube
	No lube
Operating temperature range °C	-20 to (65)80
Pin material	Equivalent to SUS304
Pin type	Knurled pin
Availability	●

- Note: 1. "●": Standard product.
 Not available for other chain materials that are not listed in the chain material table above.
 2. Standard only available.
 3. Operating temperature of (the value in parentheses) is for wet conditions.
 4. Plastic pin type is not available.
 5. Connecting pins are not for sale separately.

Tsubaki Model Table

Material	Standard	Chain mass kg/m
Material mark	—	
Chain type	TPUN550-LH	1.25
	TPUN535-LH	1.40

Note: Chain type in boldface are standard products.

Model Numbering

Chain type	Link width	Chain type	Number of links	Unit
TPUN	550	- LH	+ 61	L
	535: 53.5 mm		Note: 2	L: Link
	550: 55 mm			

- Note: 1. Do not leave space between letters and symbols.
 2. Minimum quantity: 2, maximum quantity: 99999.