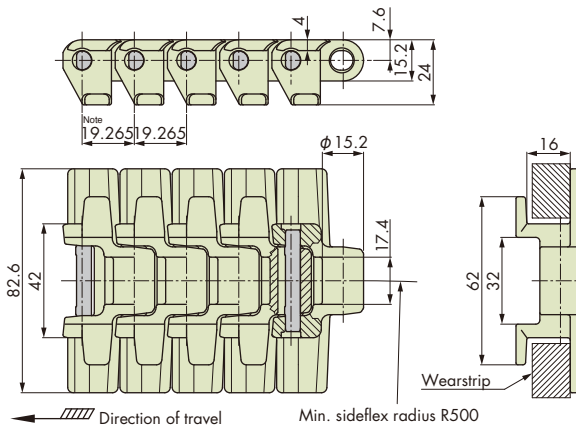
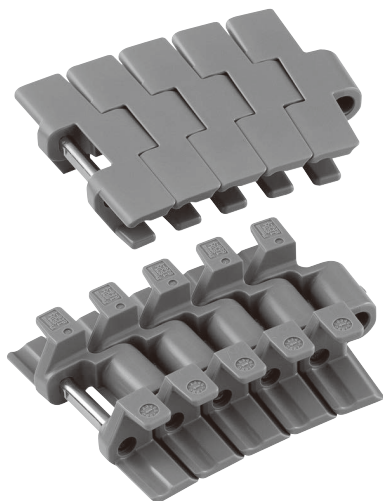


Features

1. Sideflexing chain of TPM. Adopts chain pitch of approx. half of conventional chains. Effective to reduce noise and to save space in the transfer sections.
2. Only odd number of teeth of TPS sprockets can be used with standardized parts.
3. A chain that has tabs prevents the chain from floating in a corner and ascending/descending section, and prevents scratches on the top surface of the plate on the return-way.



Note: The pitch of 19.265 mm is designed to engage all teeth of TTUP1012T which is the sprocket for TPS and the equivalent of 21T.

Chain pitch mm	Backflex radius mm	Number of links per unit
19.265	15	160

Chain Material Table

Standard Chain									
Material	Standard			Low friction/ Wear resistant			Advanced low friction/ Wear resistant	Low friction	
Material mark	—	B	BL	LFW	LFG	LFB	ALF	NLF	WR
Link color	Gray	Blue	Sky blue	White	Green	Brown	Light blue	Dark gray	Dark green
Max. allowable load kN {kgf}	0.98{100}								
Max. allowable speed m/min	With lube								
	No lube								
Operating temperature range °C	-20 to 80			-20 to (65)80			-20 to 80	-20 to (65)80	-20 to 80
Pin material	SUS304								
Pin type	D-pin								
TPUM826-T	○	△	△	○	○	○	○	△	△

Note: 1. "○": Made-to-order products, "△": Made-to-order products (RFQ).
 2. Not available for other chain materials that are not listed in the chain material table above.
 3. Operating temperature of (the value in parentheses) is for wet conditions.
 4. Plastic pin type is not available.