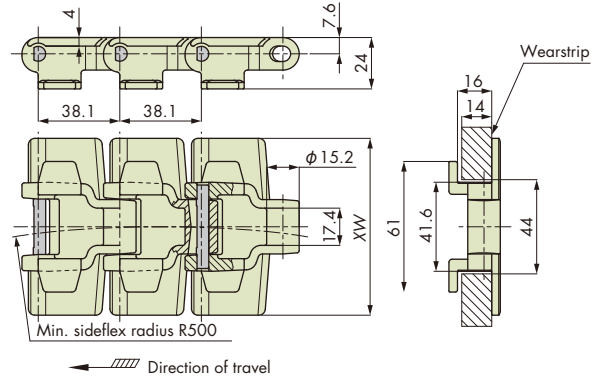


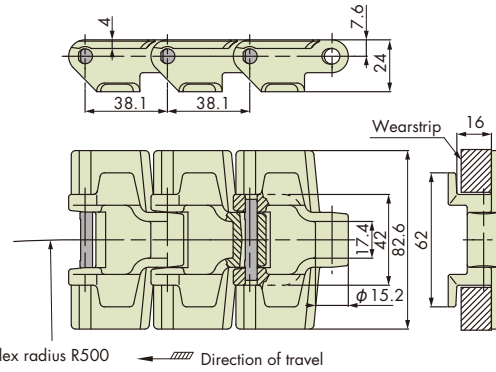
Features

1. A chain that has tabs prevents the chain from floating in a corner and ascending/descending section, and prevents scratches on the top surface of the plate on the return-way.
2. Sprockets for TPS and TTUP can be used with standardized parts.

TPU826 (materials other than those below), TPU1143



TPU826-DIA, DIY, KV150, KV180, KV250



Chain pitch mm	Backflex radius mm	Number of links per unit
38.1	40	80

Chain Material Table

Material	Standard Chain									High-Function Chain						
	Standard			Low friction/Wear resistant			Advanced low friction/Wear resistant			Low friction			Heat resistance/High speed		Low friction/Wear resistant	
Material mark	-	B	BL	LFW	LFG	LFB	ALF	NLF	WR	KV150	KV180	KV250	HG			
Link color	Gray	Blue	Sky blue	White	Green	Brown	Light blue	Dark gray	Dark green	Black			Navy blue			
Max. allowable load kN {kgf}	0.98{100}															
Max. allowable speed m/min	With lube									-	200		100			
	No lube									50			200		50	
Operating temperature range °C	-20 to 80			-20 to (65)80			-20 to 80		-20 to (65)80	-20 to 80	-20 to 150	-20 to 180	-20 to 250	-20 to (65)80		
Pin material	SUS304															
Pin type	D-pin															
TPU826-T	●	△	△	○	●	●	○	△	○	○	○	○	○	△		
TPU1143-T	●	△	△	△	●	○	○	△	△	×	×	×	△			

Note: 1. "●": Standard products, "○": Made-to-order products, "△": Made-to-order products (RFQ), "x": Unable to produce.
 Not available for other chain materials that are not listed in the chain material table above.
 2. Operating temperature of (the value in parentheses) is for wet conditions.
 3. As of October 2008, the shape of the tab for the stainless steel pin type of TPU826-T chain had changed.
 4. The current type of chain can be connected with the previous model.