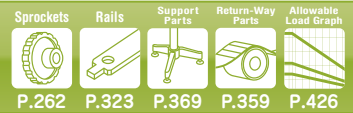


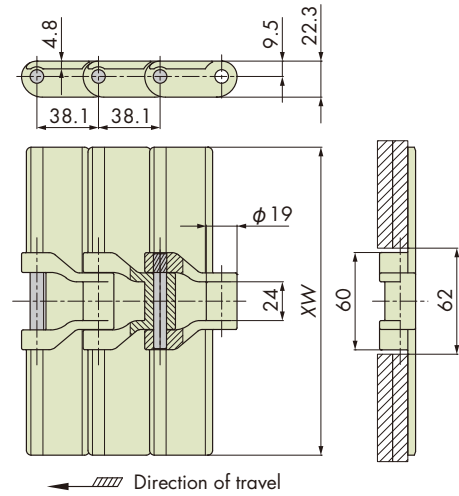
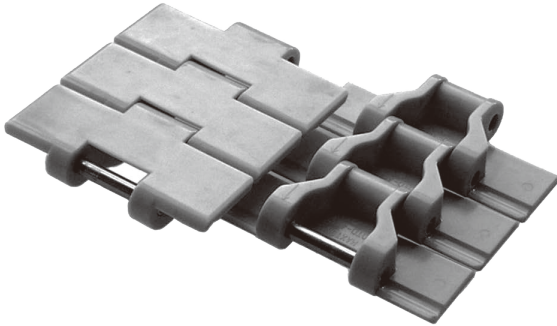
Plastic Top Chain TPSS

Straight Running



Features

1. Suitable for higher applied load conditions due to an approx. 2.3 times higher allowable load than TTP.
2. Suitable for conveying large products due to its wide top plates.
3. Suitable for applications where top plates are susceptible to wear due to a thicker plate compared to TTP and TPS.



Chain pitch mm	Backflex radius mm	Number of links per unit
38.1	50	80

Chain Material Table

Material	Standard Chain								High-Function Chain				
	Standard			Low friction/Wear resistant			Low friction		Low friction/Wear resistant	Electrostatic preventive	Middle friction	Ultraviolet resistant	Food conveying
Material mark	—	B	BL	LFW	LFG	LFB	NLF	WR	HG	SE	MF	UVR	PFS
Link color	Gray	Blue	Sky blue	White	Green	Brown	Dark gray	Dark green	Navy blue	Gray	Yellow	Light gray	Nile blue
Max. allowable load kN {kgf}	1.96{200}											1.45 {148}	1.96{200}
Max. allowable speed m/min	100											—	100
	50												
Operating temperature range °C	-20 to 80			-20 to (65)80				-20 to 80	-20 to (65)80	-20 to 80			
Pin material	SUS304												
Pin type	Knurled pin												
TPSS1143	△	△	△	△	○	○	△	△	△	△	△	△	△
TPSS1270	△	△	△	△	△	△	△	△	△	△	△	△	△
TPSS1524	△	△	△	△	△	△	△	△	△	△	△	△	△
TPSS1905	△	△	△	△	○	○	△	△	△	△	△	△	△

- Note: 1. "○": Made-to-order products, "△": Made-to-order products (RFQ).
 Not available for other chain materials that are not listed in the chain material table above.
 2. Operating temperature of (the value in parentheses) is for wet conditions.
 3. Plastic pin type is not available.
 4. The chain widths of 127.0 mm and 152.4 mm are cut by machining.
 5. The chain mark on the bottom of the plate of which the width was cut by machining indicates information not for the chain of modified width but for the original chains.

Tsubaki Model Table

Material	Low friction/Wear resistant		Top plate width XW	Chain mass kg/m
	LFG	LFB		
Chain type	TPSS1143-LFG	TPSS1143-LFB	114.3	1.9
	TPSS1270-LFG	TPSS1270-LFB	127.0	2.0
	TPSS1524-LFG	TPSS1524-LFB	152.4	2.1
	TPSS1905-LFG	TPSS1905-LFB	190.5	2.4

- Note: 1. Chain type in normal face are made-to-order products. Refer to the chain material table above for availability.
 2. The chain mass of the chain materials available whose information are not described in above are the same with that in the Tsubaki model table above.

Model Numbering

Chain type	Top plate width	Material mark	Number of links
TPSS	1143 <small>Note: 2</small>	- LFG <small>Note: 3</small>	+ 80 <small>Note: 4</small>

Unit

L

L: Link

- Note: 1. Do not leave space between letters and symbols.
 2. Please check the width of the top plate in the Tsubaki model table above.
 3. Please check the chain material and material marks in the chain material table above.
 4. Minimum quantity: 2, maximum quantity: 99999.