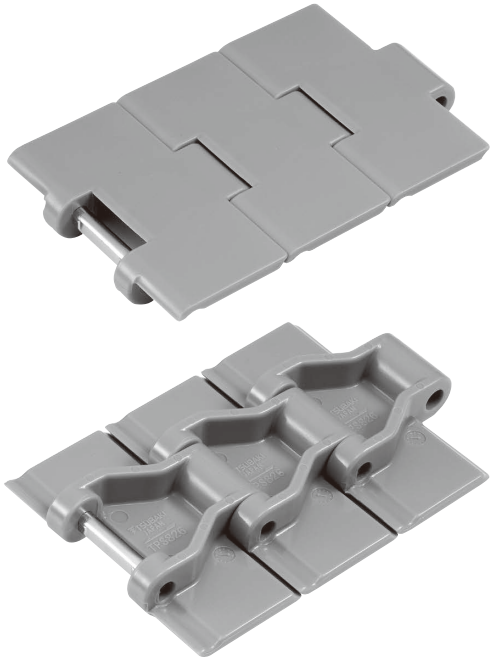
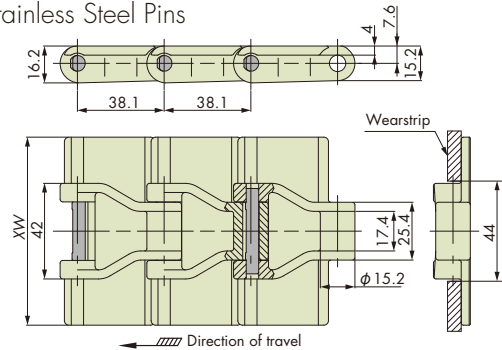


Features

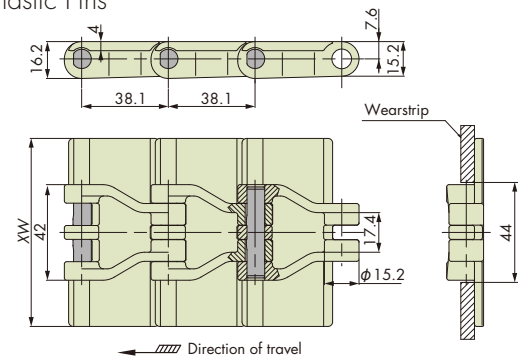
1. Suitable for higher applied load conditions due to an a pprox. 1.4 times higher allowable load than TTP.
2. Sprockets for sideflexing plastic top chains (TTUP and TPU) can be used and standardize parts.
3. The plastic pin type is lightweight, easy to install and replace, and is expected to have a longer life cycle than stainless steel pins that use water lubrication.



Stainless Steel Pins



Plastic Pins



Chain pitch mm	Backflex radius mm	Number of links per unit
38.1	40	80

Chain Material Table

Material	Standard Chain									High-Function Chain				
	Standard			Low friction/Wear resistant			Advanced low friction/Wear resistant	Low friction		Heat resistant/High speed			Low friction/Wear resistant	
Material mark	-	B	BL	LFW	LFG	LFB	ALF	NLF	WR	KV150	KV180	KV250	HG	
Link color	Gray	Blue	Sky blue	White	Green	Brown	Light blue	Dark gray	Dark green	Black			Navy blue	
Max. allowable load kN {kgf}	Stainless steel pin	1.18{120}									0.98{100}			1.18{120}
	Plastic pin	0.98{100}									-			0.98{100}
Max. allowable speed m/min	With lube	100									-	200		100
	No lube	50									200			50
Operating temperature range °C	Stainless steel pin	-20 to 80		-20 to (65)80			-20 to 80	-20 to (65)80	-20 to 80	-20 to 150	-20 to 180	-20 to 250	-20 to (65)80	
	Plastic pin	-20 to (60)80									-	-	-	-20 to (60)80
Pin material	Stainless steel pin/SUS304 Plastic pin/Special engineering plastic													
Pin type	D-pin ^{Note: 4}													
Stainless steel pin	TPS762	△	△	△	△	△	△	△	△	△	△	△	△	
	TPS826	●	△	△	○	●	●	○	△	○	○	○	○	
	TPS1016	●	△	△	○	○	○	△	△	△	×	×	×	
	TPS1143	●	△	△	○	○	○	○	△	○	×	×	×	
	TPS1270	●	△	△	○	○	○	△	△	△	×	×	×	
Plastic pin	TPS762P	△	△	△	△	△	△	△	△	×	×	×	△	
	TPS826P	○	△	△	○	●	●	●	△	○	×	×	○	
	TPS1143P	○	△	△	○	○	○	○	△	○	×	×	○	

Note: 1. "●": Standard products, "○": Made-to-order products, "△": Made-to-order products (RFQ), "x": Unable to produce.

Not available for other chain materials that are not listed in the chain material table above.

2. Operating temperature of (the value in parentheses) is for wet conditions.

3. The color of the connecting pins are orange. Base chain pins are white.

4. As of January 2009, knurled pin had been changed to D pin. These cannot be connected with each other.