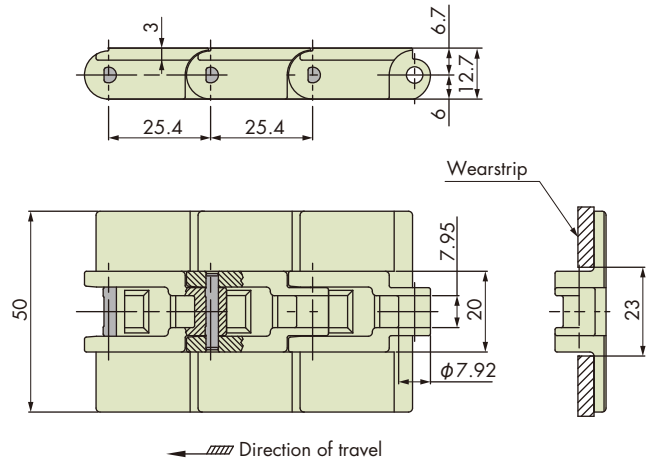


Plastic Top Chain TPRF (TPRF2040)

Straight Running

Features

1. Conveyor chain with a plastic top plate and the same pitch as RF2040.
2. RF2040S sprockets (with 19T or greater) can be used.



Chain pitch mm	Backflex radius mm	Number of links per unit
25.4	350	120

Chain Material Table

Standard Chain									
Material	Standard			Low friction/Wear resistant			Advanced low friction/ Wear resistant	Low friction	
Material mark	—	B	BL	LFW	LFG	LFB	ALF	NLF	WR
Link color	White	Blue	Sky blue	White	Green	Brown	Light blue	Dark gray	Dark green
Max. allowable load kN {kgf}	0.44{45}								
Max. allowable speed m/min	60								
Operating temperature range °C	-20 to 80			-20 to (65)80			-20 to 80	-20 to (65)80	-20 to 80
Pin material	SUS304								
Pin type	D-pin ^{Note: 3}								
TPRF2040	●	△	△	○	○	○	○	△	△

- Note: 1. "●": Standard product, "○": Made-to-order products, "△": Made-to-order products (RFQ).
 Not available for other chain materials that are not listed in the chain material table above.
 2. Operating temperature of (the value in parentheses) is for wet conditions.
 3. As of July 2008, knurled pins have been changed to D pins. These pins can be connected together.
 4. Plastic pin type is not available.