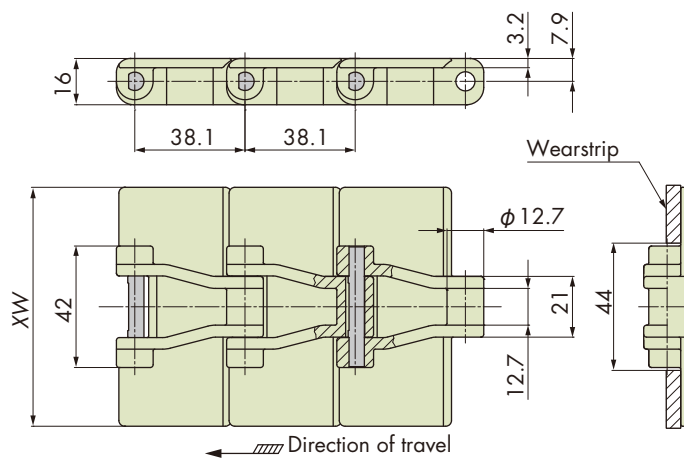
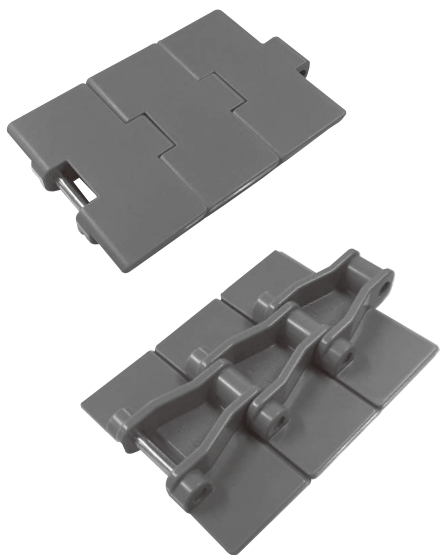


Features

1. Suitable for higher applied load conditions due to an approx. 1.4 times higher allowable load than TTP.
2. 3.2 mm plate thickness, the same plate thickness as TT stainless steel top chain.



Chain pitch mm	Backflex radius mm	Number of links per unit
38.1	40	80

Chain Material Table

Standard Chain										
Material	Standard				Low friction/Wear resistant			Advanced low friction/ Wear resistant	Low friction	
Material mark	—	W	B	BL	LFW	LFG	LFB	ALF	NLF	WR
Link color	Gray	White	Blue	Sky blue	White	Green	Brown	Light blue	Dark gray	Dark green
Max. allowable load kN {kgf}	1.18{120}									
Max. allowable speed m/min	With lube	100								
	No lube	50								
Operating temperature range °C	-20 to 80				-20 to (65)80			-20 to 80	-20 to (65)80	-20 to 80
Pin material	SUS304									
Pin type	D-pin ^{Note: 3}									
TPF762	●	●	△	△	○	○	○	○	△	△
TPF826	●	●	△	△	○	●	●	○	△	△

Note: 1. "●": Standard products, "○": Made-to-order products, "△": Made-to-order products (RFQ).

Not available for other chain materials that are not listed in the chain material table above.

2. Operating temperature of (the value in parentheses) is for wet conditions.

3. As of January 2009, knurled pin had been changed to D pin. These cannot be connected with each other.

4. Plastic pin type is not available.