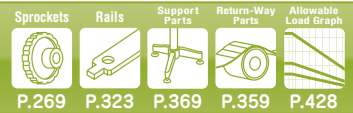


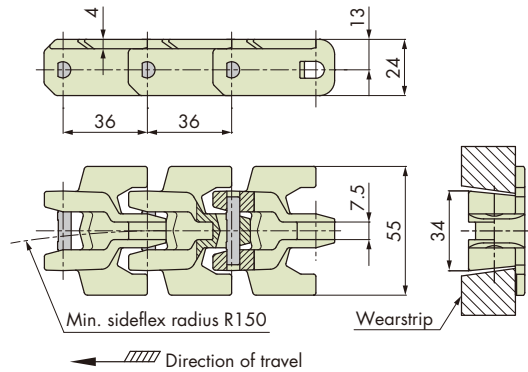
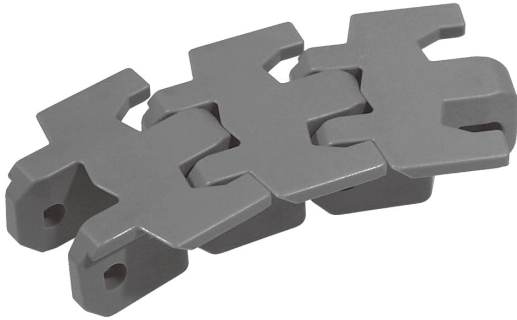
Plastic Top Chain TP-UB36

Sideflexing Running



Features

1. Small sideflex radius (150 mm) provides more flexibility in the layout of conveyor lines. Ideal for conveyance in tight spaces.
2. Adopts comb-toothed plates which minimize gaps between links.
3. Possible to prevent producing wear debris and creaking/squealing noises in case of using the corner disc in curved sections.



Chain pitch mm	Backflex radius mm	Number of links per unit
36	30	85 <small>Note</small>

Note: As of 2013, the number of links per unit has changed.

Chain Material Table

Material		Standard Chain							High-Function Chain						
		Standard			Low friction/Wear resistant			Advanced low friction/Wear resistant	Low friction		Low friction/Wear resistant	Electrostatic preventive	Middle friction	Ultraviolet resistant	Food conveying
Material mark		—	B	BL	LFW	LFG	LFB	ALF	NLF	WR	HG	SE	MF	UVR	PFS
Link color		Gray	Blue	Sky blue	White	Green	Brown	Light blue	Dark gray	Dark green	Navy blue	Gray	Yellow	Light gray	Nile blue
Max. allowable load kN {kgf}	Stainless steel pin	0.9{91}										0.67 {67}	0.9{91}		
	Plastic pin	0.3{30.6}										0.22 {22.6}	0.3 {30.6}	-	
Max. allowable speed m/min	With lube	100										-	100		
	No lube	50													
Operating temperature range °C	Stainless steel pin	-20 to 80		-20 to (65)80			-20 to 80	-20 to (65)80	-20 to 80	-20 to (65)80	-20 to 80			-20 to 80	
	Plastic pin	-20 to (60)80										-20 to 80	-20 to (60)80	-	
Pin material		Stainless steel pin/SUS304 Plastic pin/Special engineering plastic													
Pin type		D-pin													
Stainless steel pin	TP-UB36	△	△	△	△	△	△	●	△	△	△	△	△	△	△
Plastic pin	TP-UB36P	△	△	△	△	△	△	○	△	△	△	△	△	△	×

Note: 1. "●": Standard product, "○": Made-to-order product, "△": Made-to-order products (RFQ), "x": Unable to produce.

Not available for other chain materials that are not listed in the chain material table above.

2. Operating temperature of (the value in parentheses) is for wet conditions.

3. The color of the connecting pins are orange. Base chain pins are white.

Tsubaki Model Table

Material		Advanced low friction/Wear resistant	Top plate width	Chain mass kg/m
Material mark		ALF		
Chain type	Stainless steel pin	TP-UB36-ALF	55	1.00
	Plastic pin	TP-UB36P-ALF		0.80

Note: 1. Chain type in boldface is a standard product. Chain type in normal face is a made-to-order product. Refer to the chain material table above for availability.

2. The chain mass of the chain materials available whose information are not described in above are the same with that in the Tsubaki model table above.

Model Numbering

Chain type	Plastic pins	Material mark	Number of links	Unit
TP-UB36	P <small>Note: 2</small>	- ALF <small>Note: 3</small>	+ 85 <small>Note: 4</small>	L
				L: Link

Note: 1. Do not leave space between letters and symbols.

2. Enter "P" only when a plastic pin type is selected.

3. Please check the chain material and material marks in the chain material table above.

4. Minimum quantity: 2, maximum quantity: 99999.