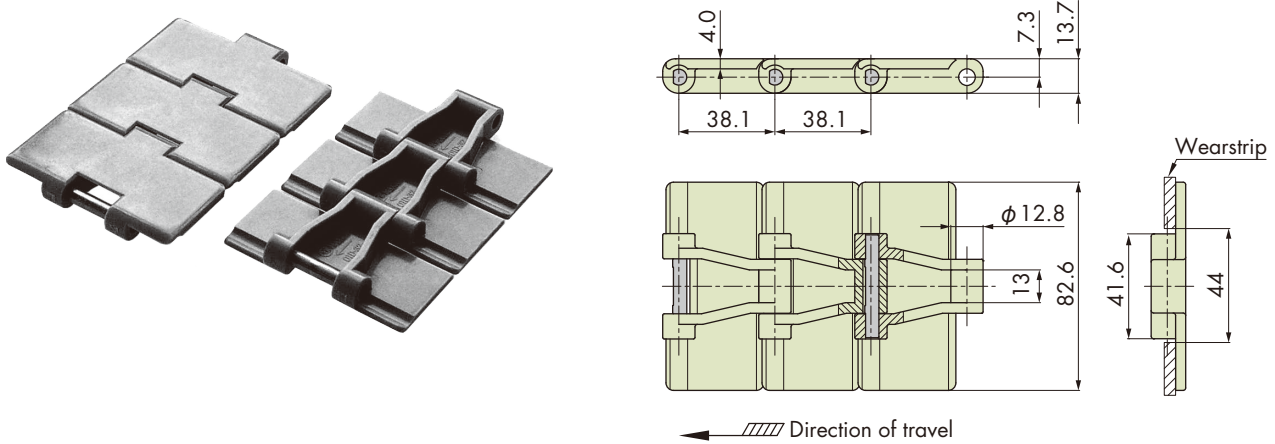


Features

1. Suitable for higher applied load conditions due to an approx. 1.3 times higher allowable load than TTP.
2. With the same 4.0 mm plate thickness as the TTP and TTUP. It is easy to adjust the level of conveyors running in parallel.



Chain pitch mm	Backflex radius mm	Number of links per unit
38.1	50	80

Chain Material Table

Standard Chain									
Material	Standard			Low friction/Wear resistant			Advanced low friction/ Wear resistant	Low friction	
Material mark	—	B	BL	LFW	LFG	LFB	ALF	NLF	WR
Link color	Gray	Blue	Sky blue	White	Green	Brown	Light blue	Dark gray	Dark green
Max. allowable load kN {kgf}	1.08{110}								
Max. allowable speed m/min	With lube	100							
	No lube	50							
Operating temperature range °C	-20 to 80			-20 to (65)80			-20 to 80	-20 to (65)80	-20 to 80
Pin material	SUS304								
Pin type	D-pin								
TP-OTD32	●	△	△	△	○	△	○	△	△

- Note: 1. "●": Standard product, "○": Made-to-order products, "△": Made-to-order products (RFQ).
 Not available for other chain materials that are not listed in the chain material table above.
 2. Operating temperature of (the value in parentheses) is for wet conditions.
 3. Plastic pin type is not available.