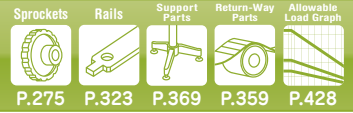


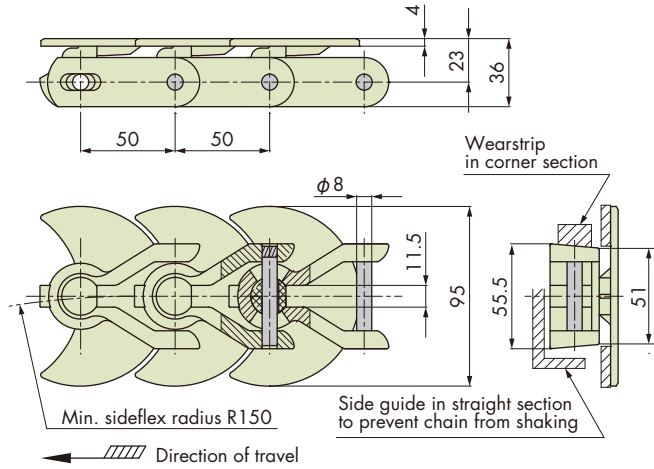
Plastic Universal Chain TP-50UN-T95

Sideflexing Running



Features

1. Small sideflex radius (150 mm) provides more flexibility in the layout of conveyor lines. Ideal for conveyance in tight spaces.
2. Crescent-shaped top plates which keep space between links constant in curved sections.



| Chain pitch mm | Backflex radius mm | Number of links per unit |
|-------------------|-----------------------|--------------------------|
| 50 | 500 | 60 <small>Note</small> |

Note: As of 2013, the number of links per unit has changed.

Chain Material Table

| Standard Chain | | |
|-----------------------------------|---------------|----------------------|
| Material | Standard | |
| Material mark | — | |
| Link color | Green | |
| Max. allowable load kN {kgf} | 1.96{200} | |
| Max. allowable speed m/min | 35 | With lube No lube |
| Operating temperature range °C | -20 to (60)80 | |
| Pin material | SUS304 | |
| Pin type | Knurled pin | |
| TP-50UN-T95 (body) | ○ | |

- Note: 1. "○": Made-to-order product. Contact a Tsubaki representative for more information.
 2. Operating temperature of (the value in parentheses) is for wet conditions.
 3. Top plates are made of special engineering plastic (link color: green).
 4. Plastic pin type is not available.
 5. Sprockets for TPUN chains cannot be used.

Tsubaki Model Table

| Chain type | Top plate width | Chain mass kg/m |
|--------------|-----------------|--------------------|
| TP-50UNS-T95 | 95.0 | 1.90 |

Note: Chain type in normal face is a made-to-order product.

Model Numbering

| | | |
|----------------------|---------------------------------|----------|
| Chain type | Number of links | Unit |
| TP-50UN-T95 + | 60 <small>Note 2</small> | L |
| | | L: Link |

- Note: 1. Do not leave space between letters and symbols.
 2. Minimum quantity: 2, maximum quantity: 99999.