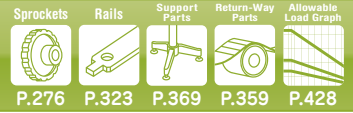


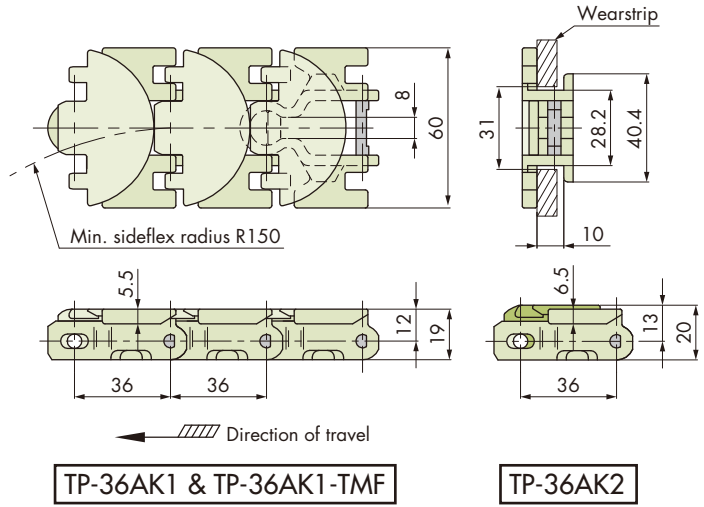
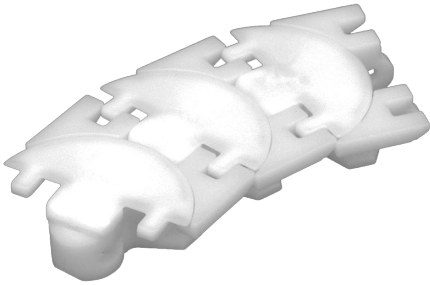
Plastic Top Chain TP-36AK

Sideflexing Running



Features

1. The chain is uniquely designed to keep the gap between chains at a minimum in straight and curved sections.
2. Different materials can be chosen only for semicircular part of the plates. Suitable for vertical conveyance.



Chain pitch mm	Backflex radius mm	Number of links per unit
36	75	85 <small>Note</small>

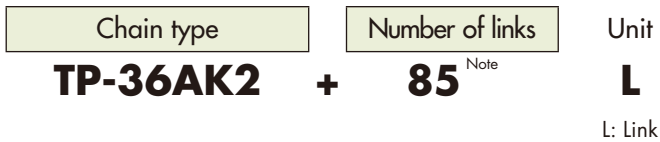
Note: As of 2013, the number of links per unit has changed.

Chain Material Table/Tsubaki Model Table

Chain type	Material		Link color		Top plate width	Max. allowable load kN {kgf}	Operating temperature range °C	Max. allowable speed m/min		Chain mass kg/m	Pin material
	Body	Top plate	Body	Top plate				With lube	No lube		
TP-36AK1	Standard	Standard	White	White	60	0.5 {51}	-20 to 80	100	50	0.75	SUS304
TP-36AK1-TMF	Standard	Middle friction	White	Yellow		0.5 {51}	-20 to 80 (Without lubrication)	—			
TP-36AK2	Standard	Polyurethane	White	Amber		0.07 {7.1}	-20 to 80 (Without lubrication)	—			

Note: 1. Made-to-order products (RFQ for TP-36AK2).
2. Plastic pin type is not available.

Model Numbering



Note: Minimum quantity: 2, maximum quantity: 99999.