

## Features

1. Suitable for high-capacity conveyors due to its large maximum allowable load. (excluding SS and PC series).
2. It is possible to replace top plates only.
3. Chain materials available for operating environments which require a higher resistance to corrosion.

## Base Chain Material

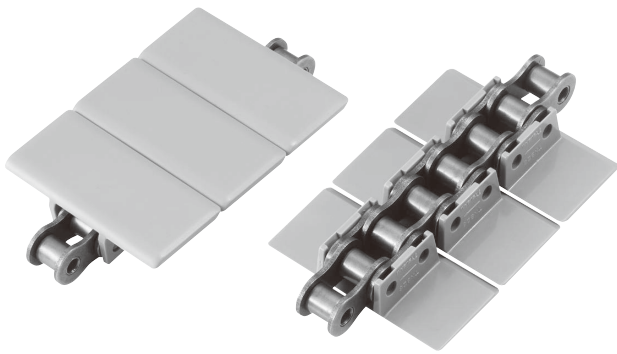
The following types are available for snap top chains.

- ◆ **Standard series:** Base chain is steel, and main dimensions are the same as standard roller chain. Note, however, that the shape of the pin ends is different and that strength is lower than RS roller chain.
- ◆ **NP series (nickel-plated):** Base chains are a standard type processed with nickel-plating, providing corrosion resistance and better appearance.
- ◆ **LMC-NP series (Lambda type):** By using a special oil-impregnated bush that uses NSF H1 compatible oil for the NP series chain, it can be used without lubrication (Lambda) and with a long life.
- ◆ **SS series:** Made of type SUS304 and is suitable for an environment where corrosion resistance is to be prioritized.
- ◆ **PC series:** Base chain is constructed from TN-C-PC poly-steel chain. Joint links are those intended for TN chain. Made from stainless steel and engineering plastic, this chain delivers corrosion resistance and low noise with no lubrication required.

Note: Standard, NP and SS series require lubrication.

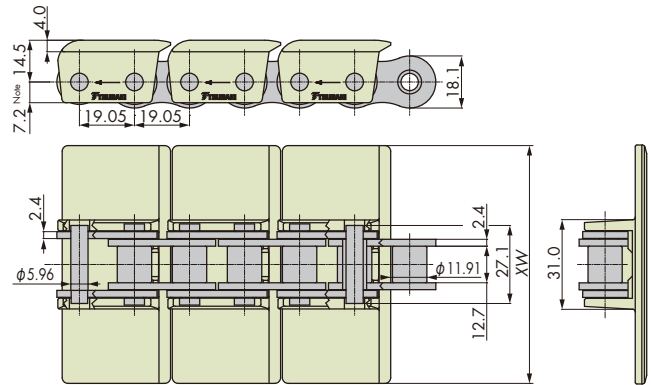
## Chain Construction

Snap top chains TN consist of ANSI #60 base chain and top plates (snap plate). The top plate snaps to the outer links of the main chain.



## Drawing

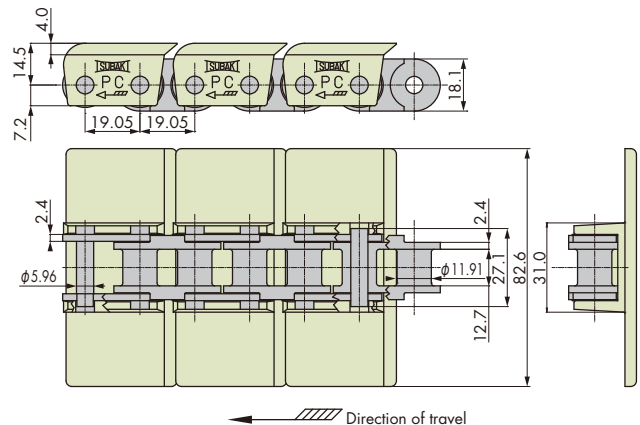
TN, TN-NP, TN-LMCNP, TN-SS



Direction of travel

Note: 7.5 mm only for TN826.

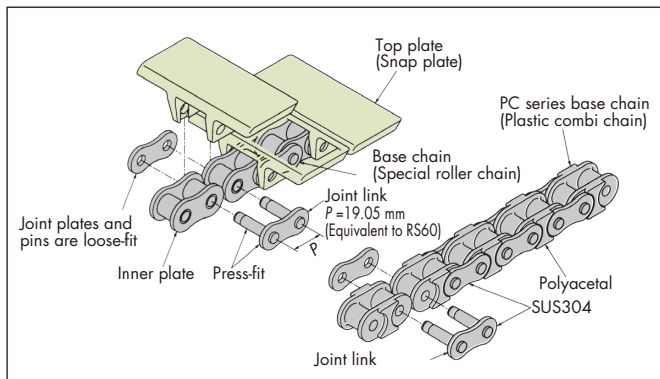
TN826-PC (with dedicated top plate)  
Available for plate width of 82.6 mm or smaller



Direction of travel

Chain pitch mm	Backflex radius mm	Number of links per unit
19.05	100	160

## Three-dimensional drawing



## Sprockets

Sprockets for RS60 can be used. Twelve teeth (12T) or greater of the RS60 B type sprockets can be used without modification.