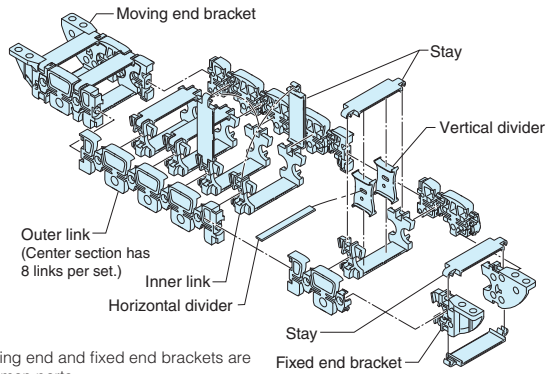
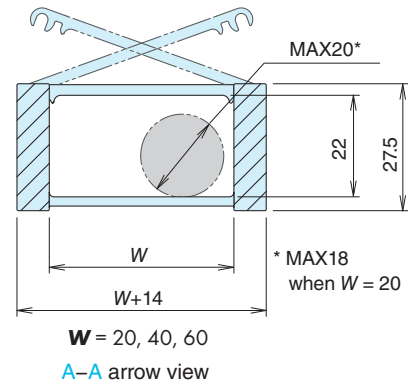


Structure



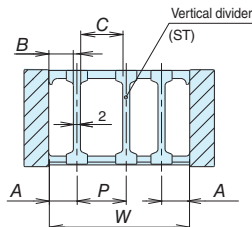
Note: 1. Moving end and fixed end brackets are common parts.
 2. Due to the structure, the number of links is always even. (Cutting and connecting is done on every second links.)

Cross-section dimensions

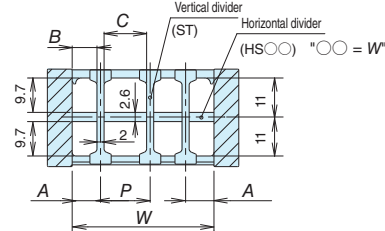


Divider dimensions

(1) When using only vertical dividers



(2) Fully-stayed 2-layers height separation



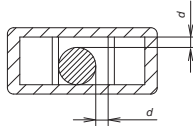
Vertical divider (fastening method)	Inner width W (mm)	A (mm)	B (mm)	P (mm)	C (mm)
ST (sliding installation)	Common for all widths	5 to 21	4 to 20	6 to 50	4 to 48
ST (fixable installation)	20	6, 8	5, 7	6, 8	4, 6
	40	6 to 20 2 mm increments	5 to 19 2 mm increments	6 to 28 2 mm increments	4 to 26 2 mm increments
	60	6 to 20	5 to 19	6 to 48	4 to 46

Note: The maximum values for A, B, P, and C are applied when using horizontal dividers.

Notes:

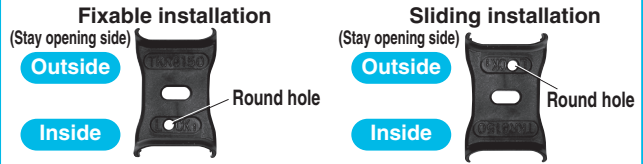
- A: Distance from center of vertical divider to end face of link
- B: Gap between vertical divider and link
- P: Distance between the centers of neighboring vertical dividers
- C: Gap between neighboring vertical dividers

Note: Make the gap between cables/hoses and the divider or link (d in the figure to right) to whichever of the following two values is larger: 2 mm or greater or the outer diameter of the cable or hose x 0.1.



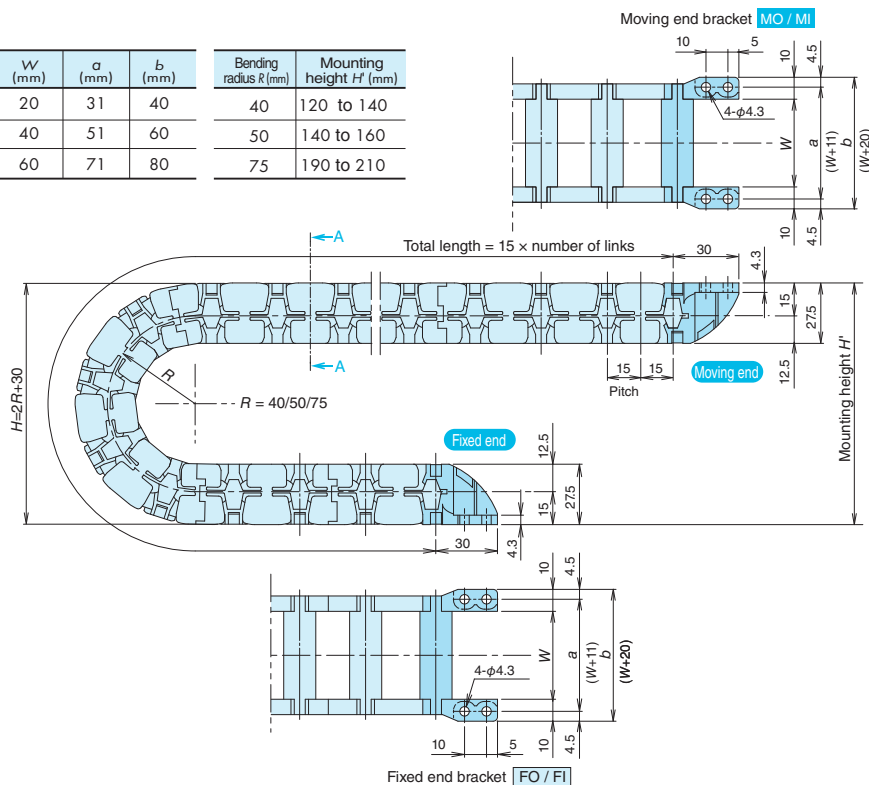
Vertical divider (fastening method)

Fixable installation and sliding installation can be selected by the direction the same part is installed.



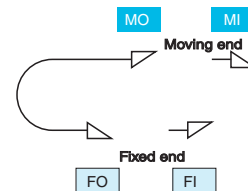
Dimensions & brackets

W (mm)	a (mm)	b (mm)	Bending radius R (mm)	Mounting height H' (mm)
20	31	40	40	120 to 140
40	51	60	50	140 to 160
60	71	80	75	190 to 210



Notes: 1. MO and FO brackets are common parts.
 2. MI and FI brackets are common parts.

Bracket mounting directions



Note: Design and install according to the mounting height H' dimension.