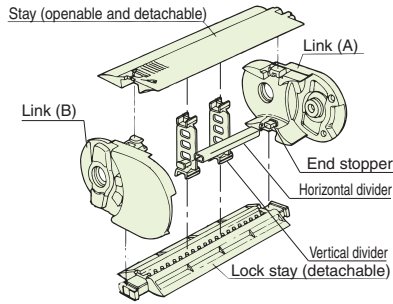
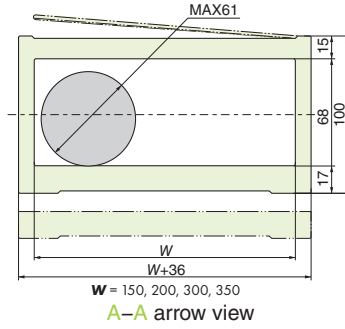


TKC85H68

Structure

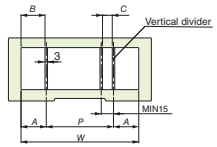


Cross-section dimensions



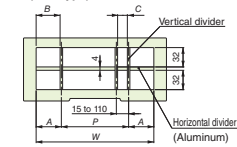
Divider dimensions

(1) When using only vertical dividers

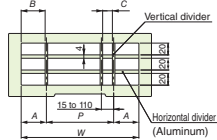


Fastening pitch = 5 when vertical divider is locked

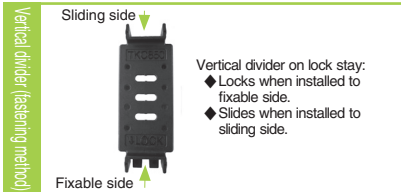
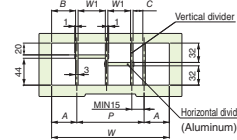
(2) Fully-stayed 2-layers height separation (DSA type)



(3) Fully-stayed 3-layers height separation (DSA type)



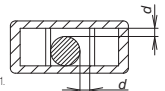
(4) Partial 2 or 3-layers height separation (DSB type)



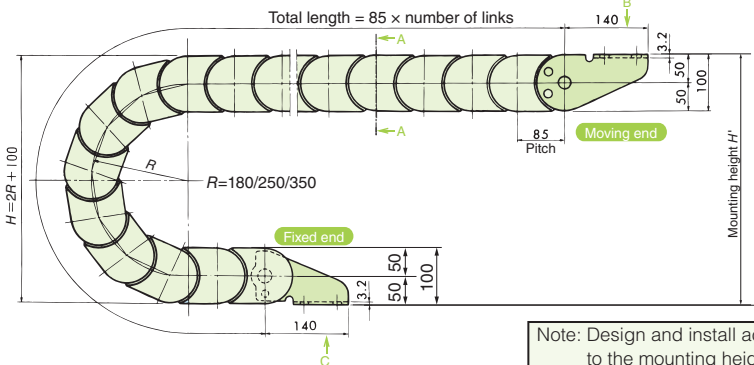
Vertical divider (fastening method)	Inner width W (mm)	A (mm)	B (mm)	P (mm)	C (mm)	W1 (mm)
ST (sliding installation)	Common for all width	40	38.5	15 to (W-80)	12 to (W-83)	12 to 107 (1 mm increments)
ST (fixable installation)	150	40	38.5	15 to 70	12 to 67	12 to 67 (5 mm increments)
	200			15 to 110	12 to 107	12 to 107 (5 mm increments)
	300			15 to 110	12 to 107	12 to 107 (5 mm increments)
	350			15 to 110	12 to 107	12 to 107 (5 mm increments)

A : Distance from center of vertical divider to end face of link
 B : Gap between vertical divider and link
 P : Distance between the centers of neighboring vertical dividers
 C : Gap between neighboring vertical dividers

Note: Make the gap between cables/hoses and the divider on link (in the figure to right) to whichever of the following two values is larger: 2 mm or greater or the outer diameter of the cable or hose x 0.1.

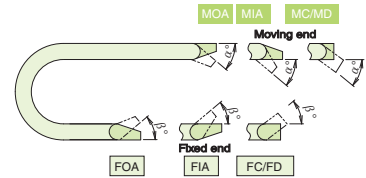


Dimension drawings



Note: Design and install according to the mounting height H' dimension.

Bending radius R (mm)	Mounting height H' (mm)
180	470 to 490
250	610 to 630
350	810 to 830



Bending radius R (mm)	Bending angle (°)	
	Moving end side (α)	Fixed end side (β)
180	28	28
250	20	
350	14	

Steel bracket variants and dimensions

	Outside mounting				Inside mounting				Flange mounting		Flange mounting with cover	
	MOA	MIA	MC	MD	FOA	FIA	FC	FD				
Moving end bracket												
Fixed end bracket												
Inner width W (mm)	A (mm)	B (mm)	C (mm)	D (mm)	A (mm)	B (mm)	C (mm)	D (mm)	A (mm)	B (mm)	A (mm)	B (mm)
150	134	184	165	115	134	184	165	115	222	248	222	248
200	184	234	215	165	184	234	215	165	272	298	272	298
300	284	334	315	265	284	334	315	265	372	398	372	398
350	334	384	365	315	334	384	365	315	422	448	422	448