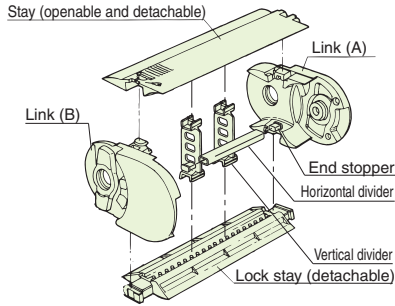
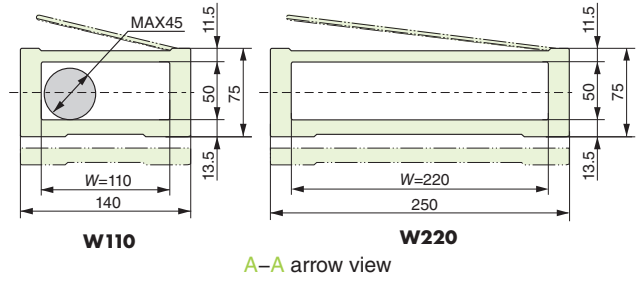


# TKC64H50

## Structure

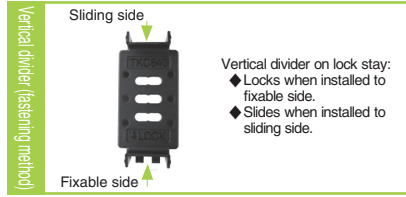
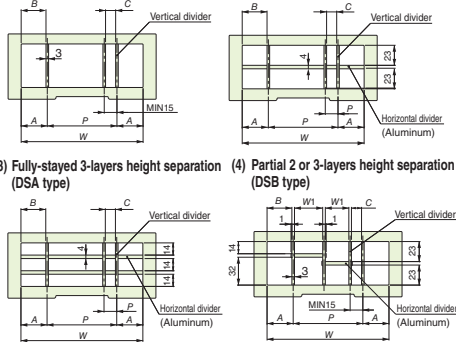


## Cross-section dimensions



## Divider dimensions

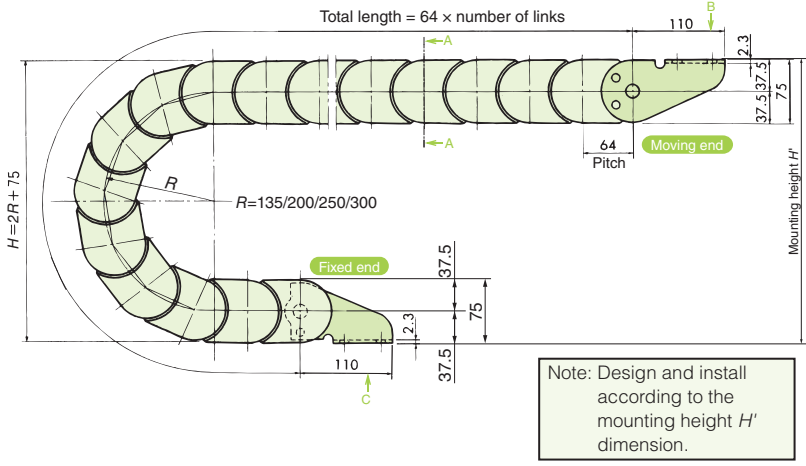
- (1) When using only vertical dividers  
Fastening pitch = 5 when vertical divider is locked
- (2) Fully-stayed 2-layers height separation (DSA type)
- (3) Fully-stayed 3-layers height separation (DSA type)
- (4) Partial 2 or 3-layers height separation (DSB type)



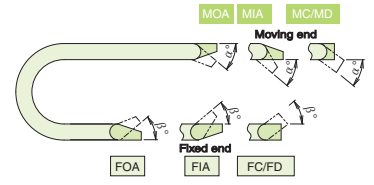
Vertical divider (fastening method)	Inner width W (mm)	A (mm)	B (mm)	P (mm)	C (mm)	W1 (mm)
ST (sliding installation)	Common for all width	30 to 40	28.5 to 38.5	15 to (W-60)	12 to (W-63)	12 to 122 (1 mm increments)
ST (fixable installation)	110	30 to 40	28.5 to 38.5	15 to 60	12 to 57	12 to 57
	220	30 to 40	28.5 to 38.5	15 to 125	12 to 122	12 to 122

A : Distance from center of vertical divider to end face of link  
 B : Gap between vertical divider and link  
 C : Gap between neighboring vertical dividers  
 P : Distance between the centers of neighboring vertical dividers  
 W : Total width of the carrier  
 W1 : Width of the link  
 MIN15 : Minimum distance between dividers  
 Note: The maximum values for A, B, P, and C are applied when using horizontal dividers.

## Dimension drawings



Bending radius R (mm)	Mounting height H' (mm)
135	355 to 375
200	485 to 505
250	585 to 605
300	685 to 705



Bending radius R (mm)	Bending angle (°)	
	Moving end side (α)	Fixed end side (β)
135	29	28
200	20	
250	16	
300	14	

## Steel bracket variants and dimensions

	Outside mounting				Inside mounting				Flange mounting		Flange mounting with cover	
	MOA				MIA				MC		MD	
Moving end bracket												
	Note: Parts differ for MIA.				Note: Parts differ for MOA.							
Fixed end bracket												
	Note: FIA are common parts.				Note: FOA are common parts.							
Inner width W (mm)	A (mm)	B (mm)	C (mm)	D (mm)	A (mm)	B (mm)	C (mm)	D (mm)	A (mm)	B (mm)	A (mm)	B (mm)
110	103	137	122	88	103	137	122	88	174	200	174	200
220	213	247	232	198	213	247	232	198	284	310	284	310