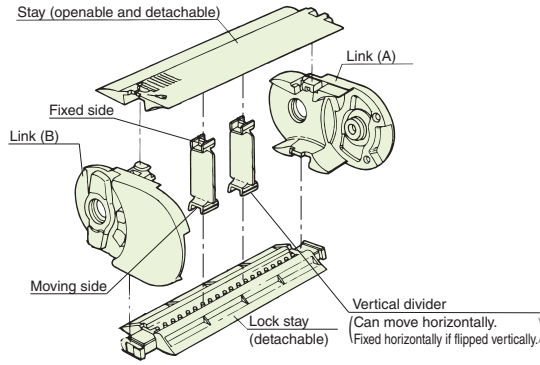
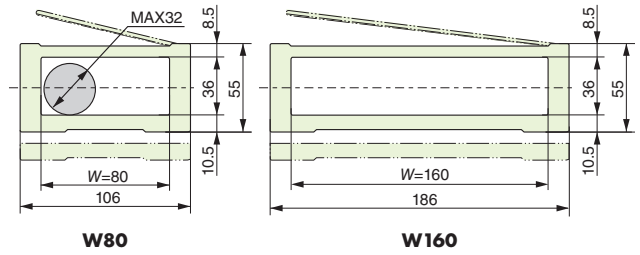


TKC47H36

Structure

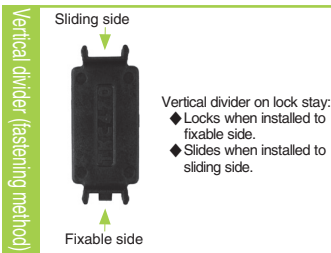
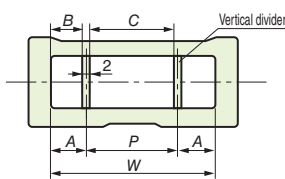


Cross-section dimensions



A-A arrow view

Divider dimensions

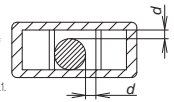


Note: Can slide between P (10 to $(W-45)$). The fastening pitch of fixable dividers is 5 mm increments. However, the pitch of neighboring dividers is 10 mm or greater.

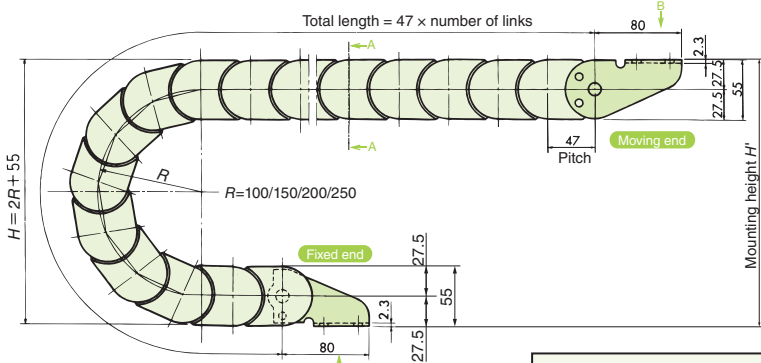
Vertical divider (fastening method)	Inner width W (mm)	A (mm)	B (mm)	P (mm)	C (mm)
ST (sliding installation)	Common for all width	min22.5	min21.5	10 to $(W-45)$	8 to $(W-47)$
ST (fixable installation)	80	22.5 to 57.5	21.5 to 56.5	10 to 35 5 mm increments	8 to 33 5 mm increments
	160	22.5 to 137.5	21.5 to 136.5	10 to 115 5 mm increments	8 to 113 5 mm increments

- A : Distance from center of vertical divider to end face of link
- B : Gap between vertical divider and link
- P : Distance between the centers of neighboring vertical dividers
- C : Gap between neighboring vertical dividers

Note: Make the gap between cables/ hoses and the divider or link (in the figure to right) to whichever of the following two values is larger: 2mm or greater or the outer diameter of the cable or hose x 0.1.

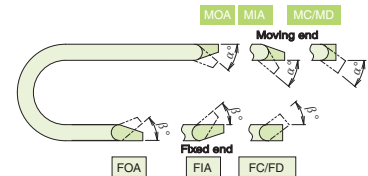


Dimension drawings



Note: Design and install according to the mounting height H' dimension.

Bending radius R (mm)	Mounting height H' (mm)
100	265 to 285
150	365 to 385
200	465 to 485
250	565 to 585



Bending radius R (mm)	Bending angle ($^\circ$)	
	Moving end side (α)	Fixed end side (β)
100	28	28
150	19	
200	14	
250	11	

Steel bracket variants and dimensions

	Outside mounting				Inside mounting				Flange mounting		Flange mounting with cover	
	MOA				MIA				MC		MD	
Moving end bracket												
	Note: Parts differ for MIA.				Note: Parts differ for MOA.							
Fixed end bracket												
	Note: FIA are common parts.				Note: FOA are common parts.							
Inner width W (mm)	A (mm)	B (mm)	C (mm)	D (mm)	A (mm)	B (mm)	C (mm)	D (mm)	A (mm)	B (mm)	A (mm)	B (mm)
80	76	104	91	63	76	104	91	63	134	156	134	156
160	156	184	171	143	156	184	171	143	214	236	214	236