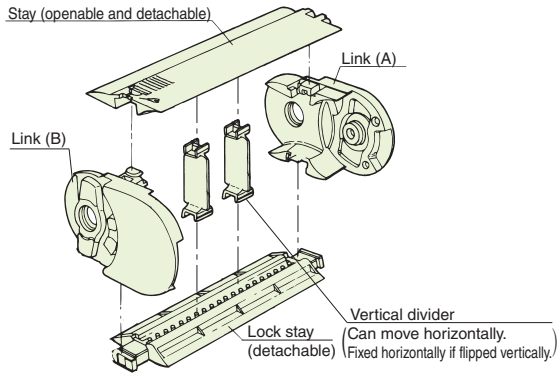
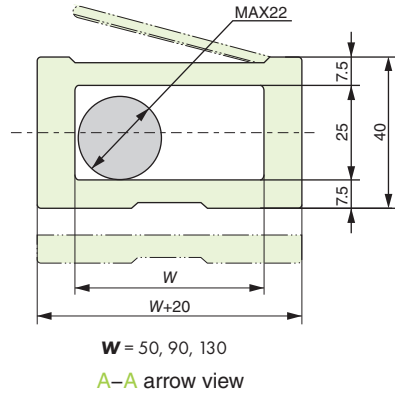


TKC34H25

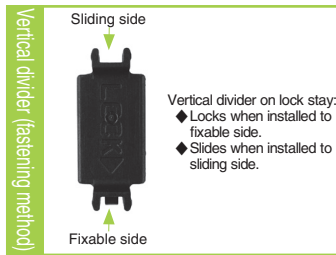
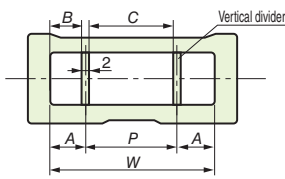
Structure



Cross-section dimensions

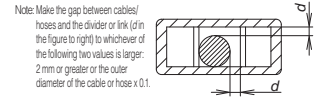


Divider dimensions



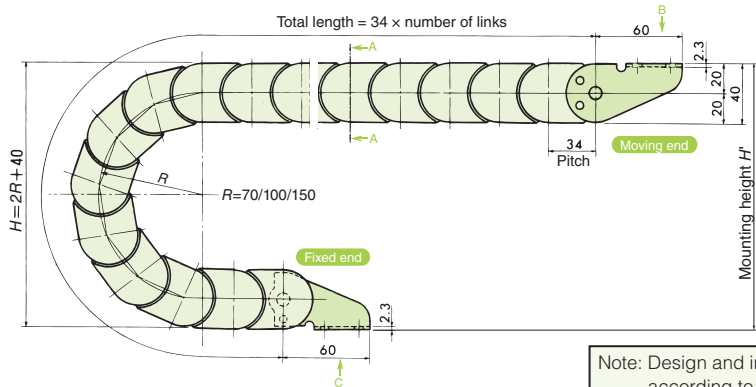
Vertical divider (fastening method)	Inner width W (mm)	A (mm)	B (mm)	P (mm)	C (mm)
ST (sliding installation)	Common for all width	min 20	min 19	10 to (W-40)	8 to (W-40)
ST (fixable installation)	50	20 to 30	19 to 29	10	8
	90	20 to 70	19 to 69	10 to 50	8 to 48
	130	20 to 110	19 to 129	10 to 90	8 to 88

- A : Distance from center of vertical divider to end face of link
- B : Gap between vertical divider and link
- P : Distance between the centers of neighboring vertical dividers
- C : Gap between neighboring vertical dividers



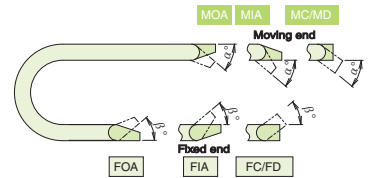
Note: Can slide between P {10 to (W-40)}. The fastening pitch of fixable dividers is 5 mm increments. However, the pitch of neighboring dividers is 10 mm or greater.

Dimension drawings



Note: Design and install according to the mounting height 'H' dimension.

Bending radius R (mm)	Mounting height H' (mm)
70	190 to 210
100	250 to 270
150	350 to 370



Bending radius R (mm)	Bending angle (°)	
	Moving end side (α)	Fixed end side (β)
70	29	29
100	20	
150	14	

Steel bracket variants and dimensions

	Outside mounting				Inside mounting				Flange mounting		Flange mounting with cover	
	MOA	MIA	MC	MD	FOA	FIA	FC	FD	A (mm)	B (mm)	A (mm)	B (mm)
Moving end bracket												
Fixed end bracket												
Inner width W (mm)	A (mm)	B (mm)	C (mm)	D (mm)	A (mm)	B (mm)	C (mm)	D (mm)	A (mm)	B (mm)	A (mm)	B (mm)
50	42	70	58	30	42	70	58	30	94	110	94	110
90	82	110	98	70	82	110	98	70	134	150	134	150
130	122	150	138	110	122	150	138	110	174	190	174	190