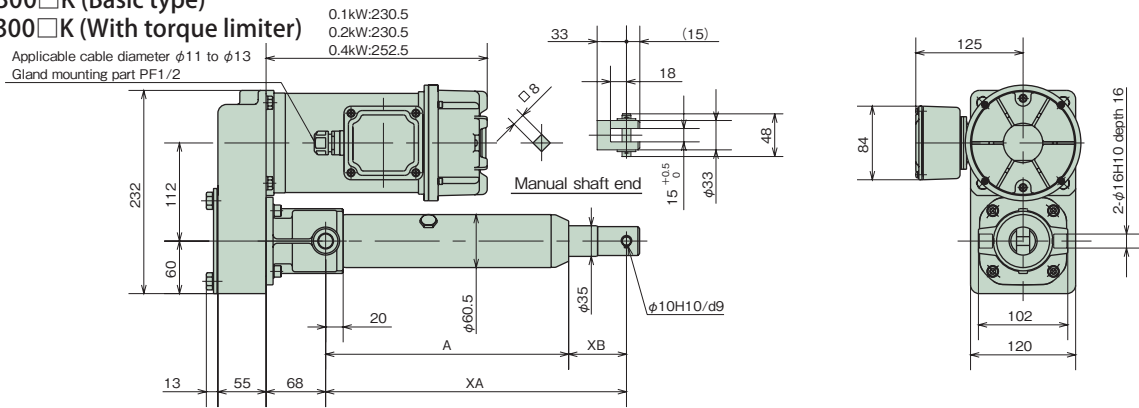


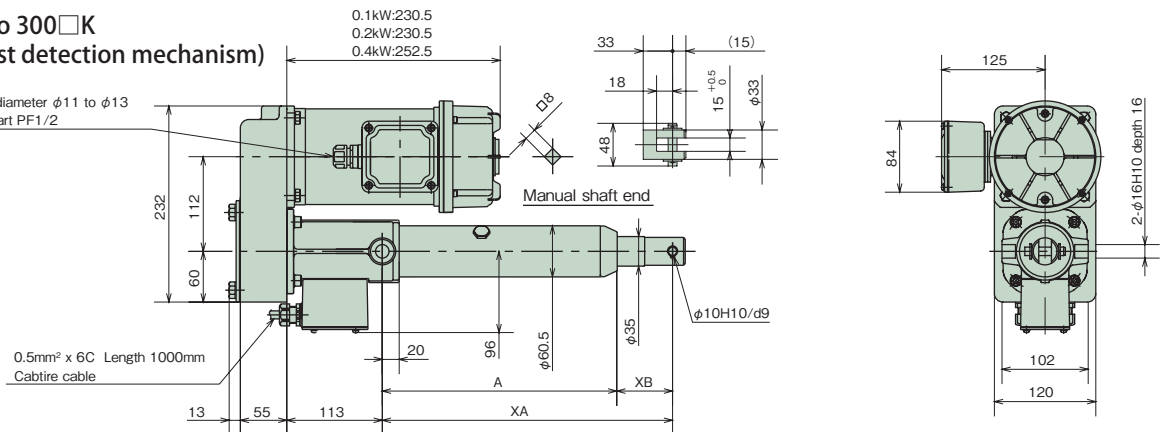
Dimensions Table Parallel type

LPGA070 to 300□K (Basic type)

LPGB070 to 300□K (With torque limiter)



LPGC070 to 300□K
(With thrust detection mechanism)



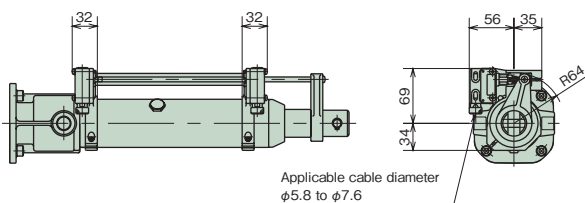
Unit: mm

Model	Speed symbol	Shape of main body	Nominal stroke	A	XA		XB		Approx. mass (kg)			
					MIN	MAX	MIN	MAX	LPGA	LPGB	LPGC	
LPGA LPGB LPGC	070 100 150 300	L M H U	K	100	178	243	343	65	165	18	18	23
				200	278	343	543	65	265	19	19	24
				300	378	443	743	65	365	21	21	25
				400	478	543	943	65	465	22	22	26
				500	578	643	1143	65	565	23	23	27
				600	678	743	1343	65	665	24	24	28
				800	878	963	1763	85	885	26	26	31
				1000	1078	1183	2183	105	1105	28	28	33
			1200	1278	1403	2603	125	1325	31	31	35	

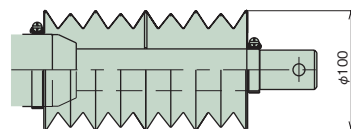
Note) 1. The mechanical stroke includes a margin of 3 to 8 mm of the nominal stroke on both sides.
2. For U speed, only 070 and 100 are applied.

Options

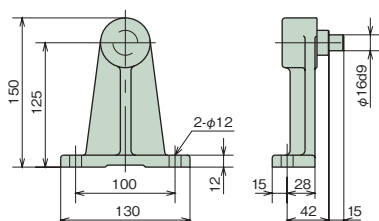
External LS (-L)



Bellows (-J)

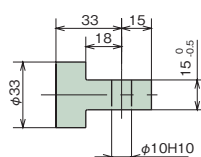


Trunnion fitting (LPGA300-T)



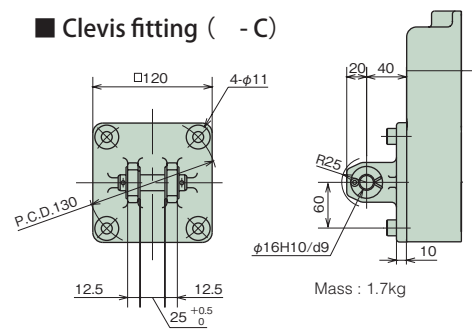
Note) Apply grease to the trunnion pin and into the trunnion hole for installation.

I-type end fitting (-I)



Note) Shipped as attached to the main body. The XA dimensions are the same as the standard U-type end fitting.

Clevis fitting (-C)



* Dimensions with no tolerance described have general tolerance, and their sizes become larger by approximately 2 to 5mm from the described dimensions. When designing the machine, take margins into consideration.