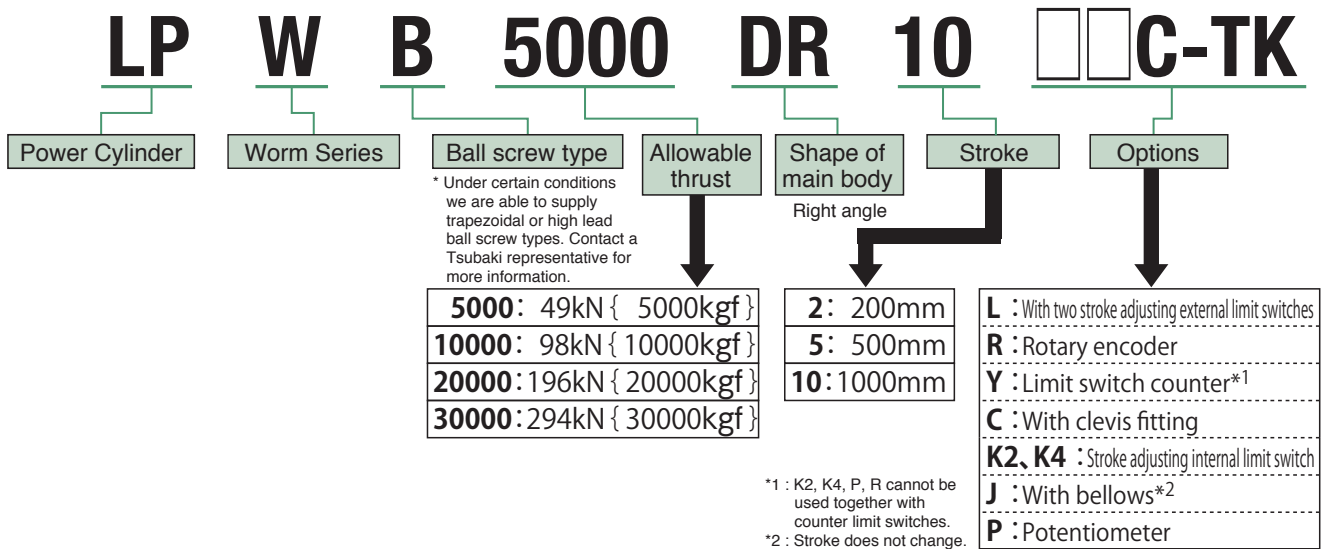


## Model No. designation



## Standard model list

Model No.	Allowable thrust kN {kgf}	Nominal speed 50/60Hz mm/s	Nominal stroke mm
LPWB5000	49 {5000}	12/14.4	200 to 1000
LPWB10000	98 {10000}	10/12	500 to 1500
LPWB20000	196 {20000}	12/14.4	500 to 2000
LPWB30000	294 {30000}	12/14.4	500 to 2000

\*Above chart is for reference. Values are subject to change.

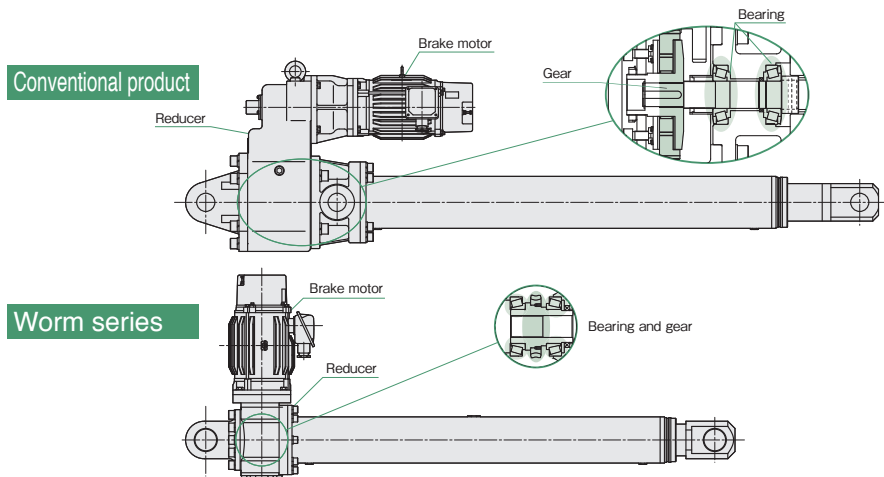
\*We can supply models exceeding 294kN (30000kgf). Contact Tsubaki for more information.

## Motor specifications

With nonexcitation-operated electromagnetic brake Three-phase induction motor IP55 equivalent

## Construction

An in-house manufactured high precision worm gear is used in the reducer.  
The integrated ball screw and gear supporting structure eliminate the need for a bracket and greatly reduces total unit length.  
Uses clevises on both ends, which is the most widely used hydraulic cylinder mounting method.



## Option

C (clevis fittings) can be combined with Y, K2, K4, P, and R (position detecting units).

