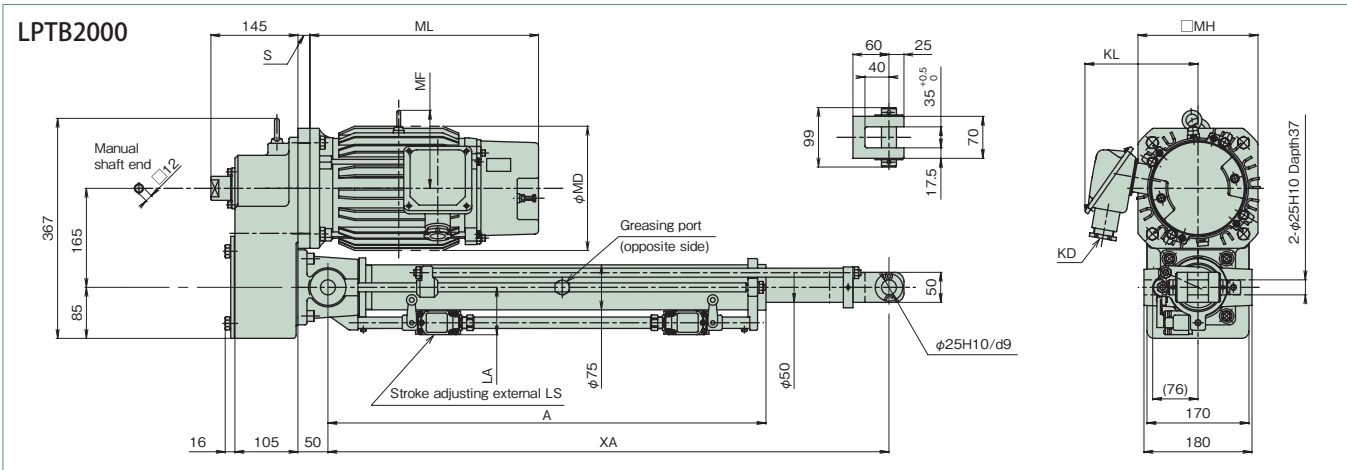


# Dimensions Table T Series 2000



Unit: mm

Model	Nominal speed mm/s 50/60Hz	Motor kW	MD	ML	MF	KL	KD	MH	S
LPTB2000S	12.5/15	0.4	132	253		125	SK-14L	120	70
LPTB2000L	25/30	0.75	180	289	—	166	A20C	170	—
LPTB2000M	50/60	1.5	194	351		178	A20C	170	—
LPTB2000H	75/90	2.2	194	340	140	178	A25C	200	20

Unit: kg

Model	200	300	400	500	600	800	1000	1200
LPTB2000S	56	58	60	62	64	68	72	76
LPTB2000L	55	57	59	61	63	67	71	75
LPTB2000M	59	61	63	65	67	71	75	79
LPTB2000H	70	72	74	76	78	82	86	90

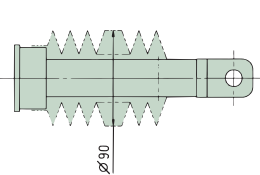
1. This diagram shows a power cylinder with an external limit switch for stroke adjustment.
2. If the stroke is 300mm or less and a limit switch for stroke adjustment is equipped, the limit switch is vertically mounted. Note that the LA dimension becomes larger. (See ④ in Cautions for layout on page 40.)
3. Mechanical stroke has a margin of approximately 10mm on both sides for the nominal stroke.
4. For the cylinder with bellows, the stroke will also not change.
5. For connector part dimensions of the motor terminal box, refer to page 57.

Unit: mm

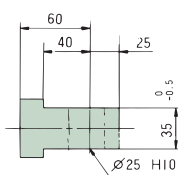
Nominal stroke	Thrust		A	XA		LA
	kN	{ kgf }		MIN	MAX	
200	19.6	2000	400	520	720	164
300			500	630	930	
400			600	740	1140	
500			700	850	1350	
600			800	955	1555	
800			1000	1175	1975	
1000	15.6	1600	1200	1395	2395	79
1200	12.2	1250	1400	1615	2815	

## Options

### ■ Bellows ( -J)

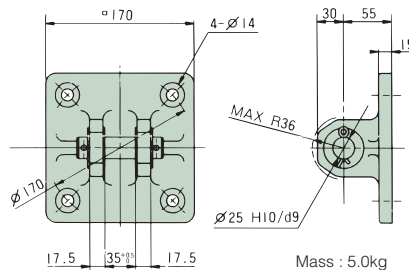


### ■ I-type end fitting ( -I)



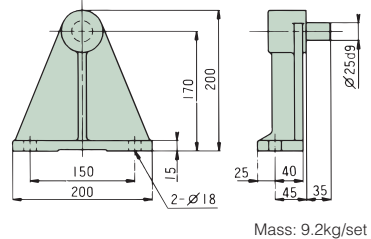
Note) Shipped as attached to the main body.  
The XA dimensions are the same as the standard U-type end fitting.

### ■ Clevis fitting ( -C)



Note) Shipped attached to the main body.  
If it needs to be shipped individually, consult us.

### ■ Trunnion fitting (LPTB2000-T)



Note) Apply grease to the trunnion pin and trunnion hole before mounting.

\* Dimensions with no tolerance described have general tolerance, and their sizes become larger by approximately 2 to 5mm from the described dimensions. When designing the machine, take the margin into consideration.