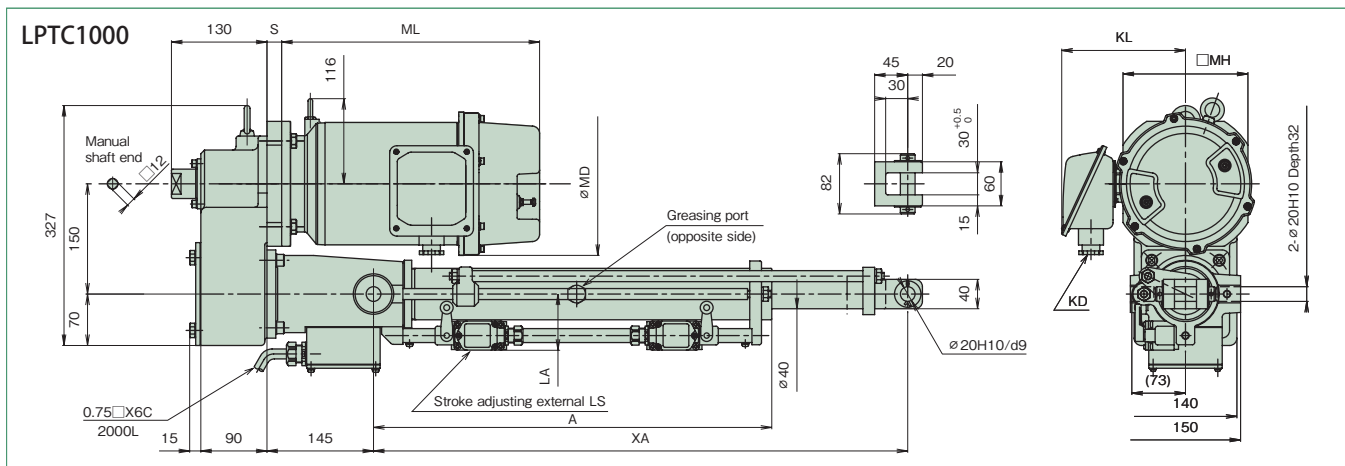


Dimensions Table T Series 1000



Unit: mm

| Model | Nominal speed mm/s 50/60Hz | Motor kW | MD | ML | KL | KD | MH | S |
|-----------|----------------------------------|-------------|-----|-----|-----|--------|-----|----|
| LPTC1000S | 12.5/15 | 0.2 | 132 | 231 | 125 | SK-14L | 120 | 65 |
| LPTC1000L | 25/30 | 0.4 | | 253 | | | | — |
| LPTC1000M | 50/60 | 0.75 | 180 | 289 | 166 | A20C | 170 | 20 |
| LPTC1000H | 100/120 | 1.5 | 194 | 351 | 178 | | | |

Unit: mm

| Nominal stroke | Thrust | | A | XA | | LA |
|----------------|--------|---------|------|------|------|------|
| | kN | { kgf } | | MIN | MAX | |
| 200 | 9.80 | 1000 | 360 | 465 | 665 | 161 |
| 300 | | | 460 | 575 | 875 | |
| 400 | | | 560 | 685 | 1085 | |
| 500 | | | 660 | 795 | 1295 | |
| 600 | | | 760 | 900 | 1500 | |
| 800 | 7.84 | 800 | 960 | 1120 | 1920 | 76.5 |
| 1000 | | | 1160 | 1340 | 2340 | |

Approximate mass of main body

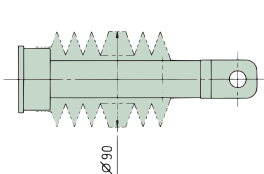
Unit: kg

| Nominal stroke | 200 | 300 | 400 | 500 | 600 | 800 | 1000 |
|----------------|-----|-----|-----|-----|-----|-----|------|
| LPTC1000S | 48 | 50 | 51 | 53 | 54 | 57 | 60 |
| LPTC1000L | 46 | 48 | 49 | 51 | 52 | 55 | 58 |
| LPTC1000M | 52 | 54 | 55 | 57 | 58 | 61 | 64 |
| LPTC1000H | 56 | 58 | 59 | 61 | 62 | 65 | 68 |

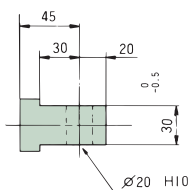
1. This diagram shows a power cylinder with an external limit switch for stroke adjustment.
2. If the stroke is 300mm or less and a limit switch for stroke adjustment is equipped, the limit switch is vertically mounted. Note that the LA dimension becomes larger. (See ④ in Cautions for layout on page 40.)
3. Mechanical stroke has a margin of approximately 10mm on both sides for the nominal stroke.
4. For the cylinder with bellows, the stroke will also not change.
5. Use TC type model in brake individual turnover.
6. When the model of the TC type nominal stroke 1000mm is used, press and stop cannot be carried out near the maximum stroke in terms of buckling strength.
7. For connector part dimensions of the motor terminal box, refer to page 57.

Options

■ Bellows (- J)

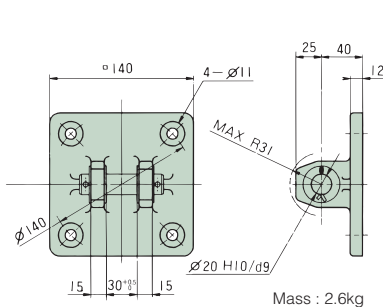


■ I-type end fitting (- I)



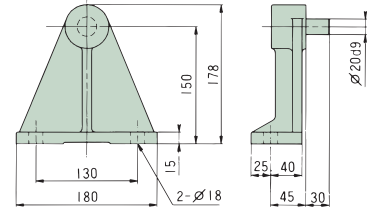
Note) Shipped as attached to the main body.
The XA dimensions are the same as the standard U-type end fitting.

■ Clevis fitting (- C)



Note) Shipped attached to the main body.
If it needs to be shipped individually, consult us.

■ Trunnion fitting (LPTB1000-T)



Mass: 7.0kg/set

Note) Apply grease to the trunnion pin and trunnion hole before mounting.

* Dimensions with no tolerance described have general tolerance, and their sizes become larger by approximately 2 to 5mm from the described dimensions. When designing the machine, take the margin into consideration.