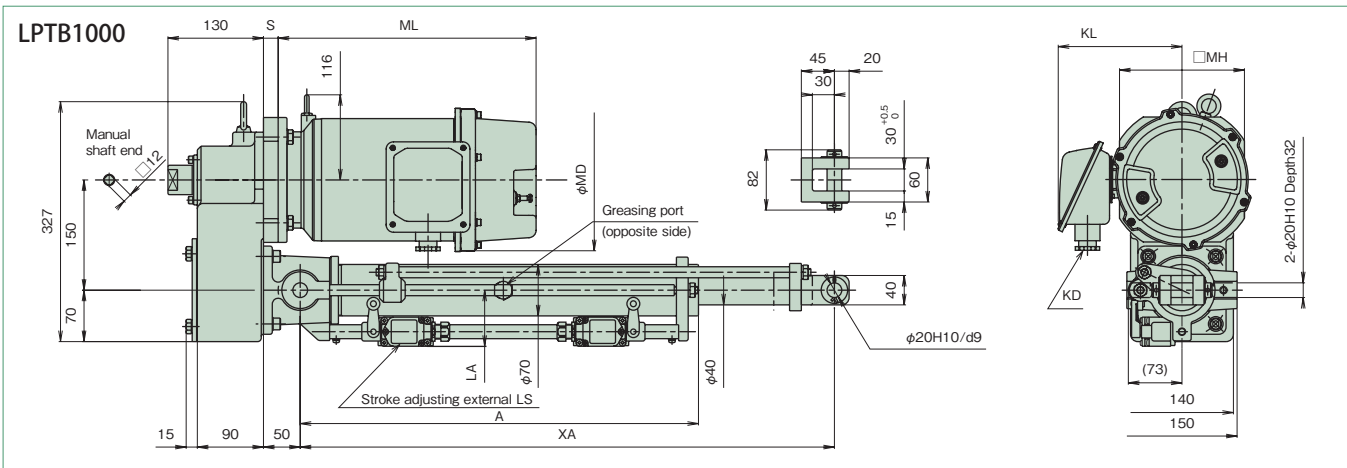


Dimensions Table T Series 1000



Unit: mm

Model	Nominal speed mm/s 50/60Hz	Motor kW	MD	ML	KL	KD	MH	S
LPTB1000S	12.5/15	0.2	132	231	125	SK-14L	120	65
LPTB1000L	25/30	0.4		253				—
LPTB1000M	50/60	0.75	180	289	166	A20C	170	20
LPTB1000H	100/120	1.5	194	351	178			

Unit: kg

Nominal stroke	200	300	400	500	600	800	1000
LPTB1000S	42	44	45	47	48	51	54
LPTB1000L	40	42	43	45	46	49	52
LPTB1000M	46	48	49	51	52	55	58
LPTB1000H	50	52	53	55	56	59	62

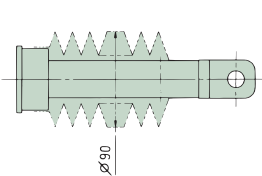
Unit: mm

Nominal stroke	Thrust		A	XA		LA
	kN	{ kgf }		MIN	MAX	
200	9.80	1000	360	465	665	161
300			460	575	875	
400			560	685	1085	
500			660	795	1295	
600			760	900	1500	
800	7.84	800	960	1120	1920	76.5
1000			1160	1340	2340	

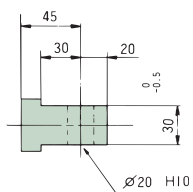
1. This diagram shows a power cylinder with an external limit switch for stroke adjustment.
2. If the stroke is 300mm or less and a limit switch for stroke adjustment is equipped, the limit switch is vertically mounted. Note that the LA dimension becomes larger. (See ④ in Cautions for layout on page 40.)
3. Mechanical stroke has a margin of approximately 10mm on both sides for the nominal stroke.
4. For the cylinder with bellows, the stroke will also not change.
5. For connector part dimensions of the motor terminal box, refer to page 57.

Options

■ Bellows (- J)

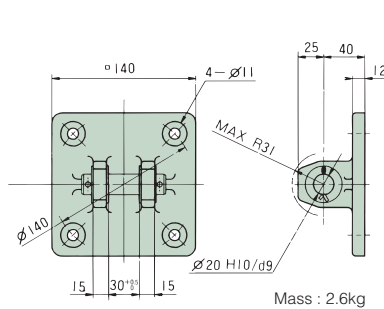


■ I-type end fitting (- I)



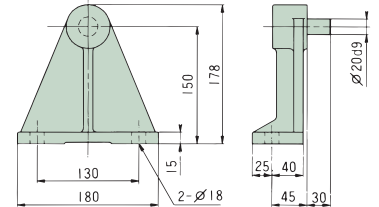
Note) Shipped as attached to the main body.
The XA dimensions are the same as the standard U-type end fitting.

■ Clevis fitting (- C)



Note) Shipped attached to the main body.
If it needs to be shipped individually, consult us.

■ Trunnion fitting (LPTB1000-T)



Mass: 7.0kg/set

Note) Apply grease to the trunnion pin and trunnion hole before mounting.

* Dimensions with no tolerance described have general tolerance, and their sizes become larger by approximately 2 to 5mm from the described dimensions. When designing the machine, take the margin into consideration.