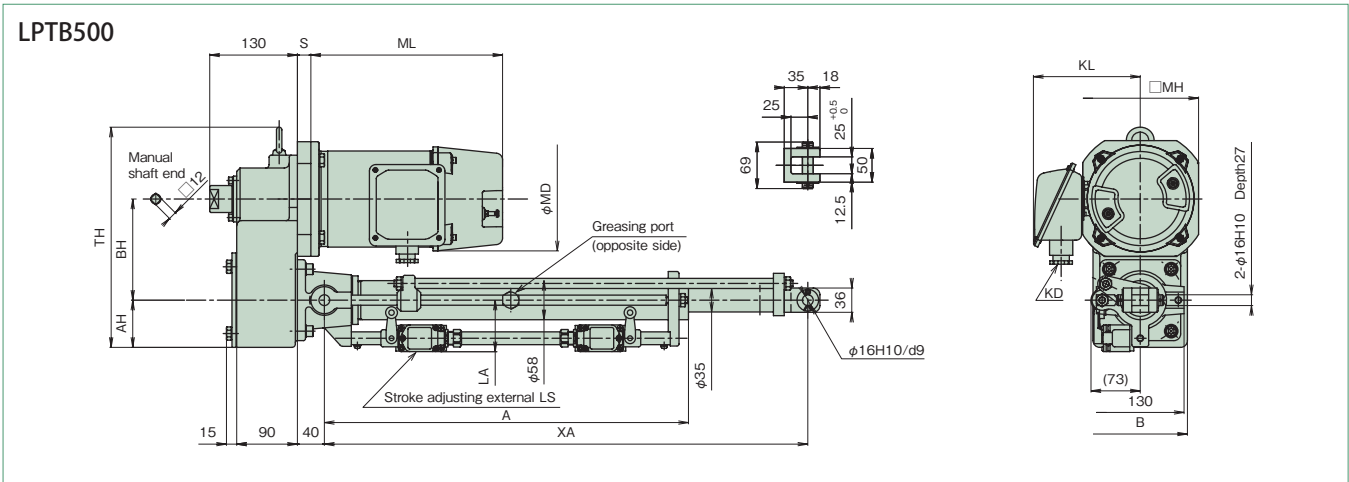


Dimensions Table T Series 500



Unit: mm

Model	Nominal speed mm/s 50/60Hz	Motor kW	MD	ML	KL	KD	MH	AH	BH	TH	S	B	C	E	F	G	H	J	K	L
LPTB500S	12.5/15	0.1	132	231	125	SK-14L	120	60	125	287	65	120	12.5	25	20	40	10	130	25	16
LPTB500L	25/30	0.2		—																
LPTB500M	50/60	0.4	180	253	166	A20C	170	70	150	327	20	140	15	30	25	12	140	31	20	
LPTB500H	100/120	0.75	289																	

Unit: mm

Approximate mass of main body

Unit: kg

Nominal stroke	Thrust		A	XA		LA
	kN	{ kgf }		MIN	MAX	
200	4.90	500	340	435	635	161
300			440	545	845	
400			540	655	1055	
500			640	765	1265	76.5
600			740	870	1470	
800			940	1090	1890	

Nominal stroke	200	300	400	500	600	800
LPTB500S	35	36	37	38	39	41
LPTB500L	32	33	34	35	36	38
LPTB500M	34	35	36	37	38	40
LPTB500H	43	44	45	46	47	49

1. This diagram shows a power cylinder with an external limit switch for stroke adjustment.
2. If the stroke is 300mm or less and a limit switch for stroke adjustment is equipped, the limit switch is vertically mounted. Note that the LA dimension becomes larger. (See ④ in Cautions for layout on page 40.)
3. Mechanical stroke has a margin of approximately 10mm on both sides for the nominal stroke.
4. For the cylinder with bellows, the stroke will also not change.
5. For connector part dimensions of the motor terminal box, refer to page 57.

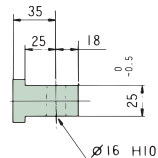
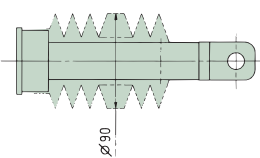
Options

■ Bellows (- J)

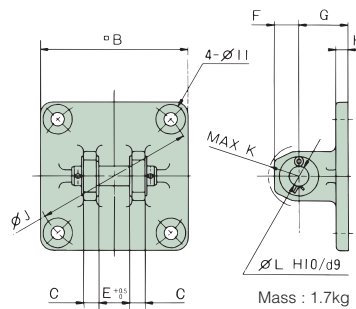
■ I-type end fitting (- I)

■ Clevis fitting (- C)

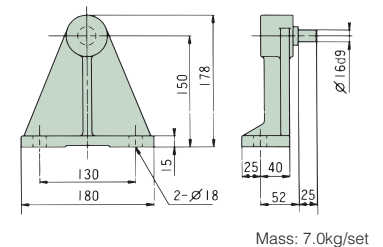
■ Trunnion fitting (LPTB500-T)



Note) Shipped as attached to the main body. The XA dimensions are the same as the standard U-type end fitting.



Note) Shipped attached to the main body. If it needs to be shipped individually, consult us.



Note) Apply grease to the trunnion pin and trunnion hole before mounting.

* Dimensions with no tolerance described have general tolerance, and their sizes become larger by approximately 2 to 5mm from the described dimensions. When designing the machine, take the margin into consideration.