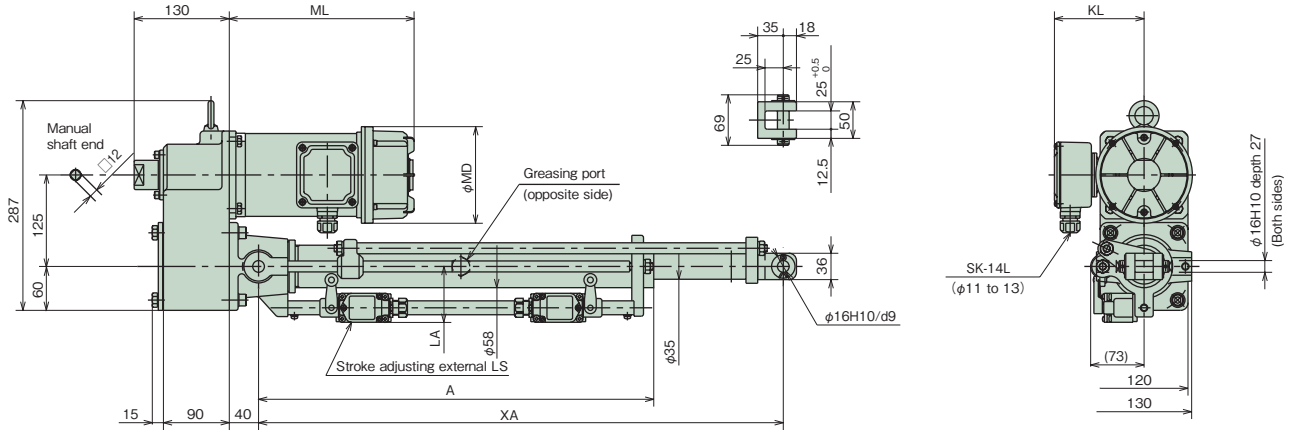


Dimensions Table T Series 250

LPTB250



Unit: mm

Model	Nominal speed mm/s 50/60Hz	Motor kW	MD	ML	KL
LPTB250S	12.5/15	0.1	132	296	125
LPTB250L	25/30			231	
LPTB250M	50/60	231			
LPTB250H	100/120	253			

Approximate mass of main body

Unit: kg

Nominal stroke Model	200	300	400	500	600
LPTB250S	35	36	37	38	39
LPTB250L	32	33	34	35	36
LPTB250M	32	33	34	35	36
LPTB250H	34	35	36	37	38

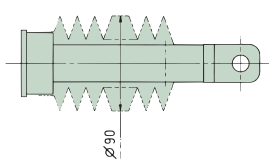
- This diagram shows a power cylinder with an external limit switch for stroke adjustment.
- If the stroke is 300mm or less and a limit switch for stroke adjustment is equipped, the limit switch is vertically mounted. Note that the LA dimension becomes larger. (See ④ in Cautions for layout on page 40.)
- Mechanical stroke has a margin of approximately 10mm on both sides for the nominal stroke.
- For the cylinder with bellows, the stroke will also not change.
- For connector part dimensions of the motor terminal box, refer to page 57.

Unit: mm

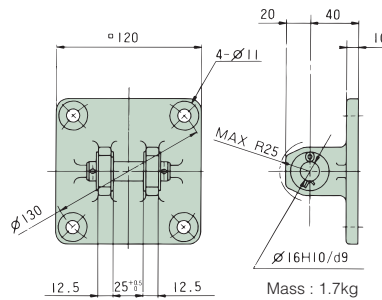
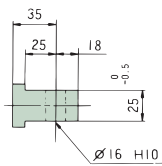
Nominal stroke	Thrust		A	XA		LA
	kN	{ kgf }		MIN	MAX	
200	2.45	250	340	435	635	161
300			440	545	845	
400			540	655	1055	
500			640	765	1265	76.5
600			740	870	1470	

Options

■ Bellows (- J)



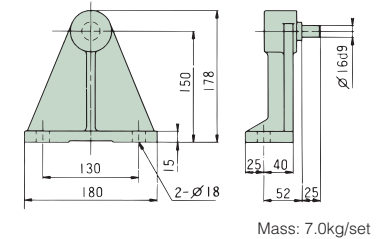
■ I-type end fitting (- I) ■ Clevis fitting (- C)



Note) Shipped as attached to the main body. The XA dimensions are the same as the standard U-type end fitting.

Note) Shipped attached to the main body. If it needs to be shipped individually, consult us.

■ Trunnion fitting (LPTB500-T)



Note) Apply grease to the trunnion pin and trunnion hole before mounting.

* Dimensions with no tolerance described have general tolerance, and their sizes become larger by approximately 2 to 5mm from the described dimensions. When designing the machine, take the margin into consideration.