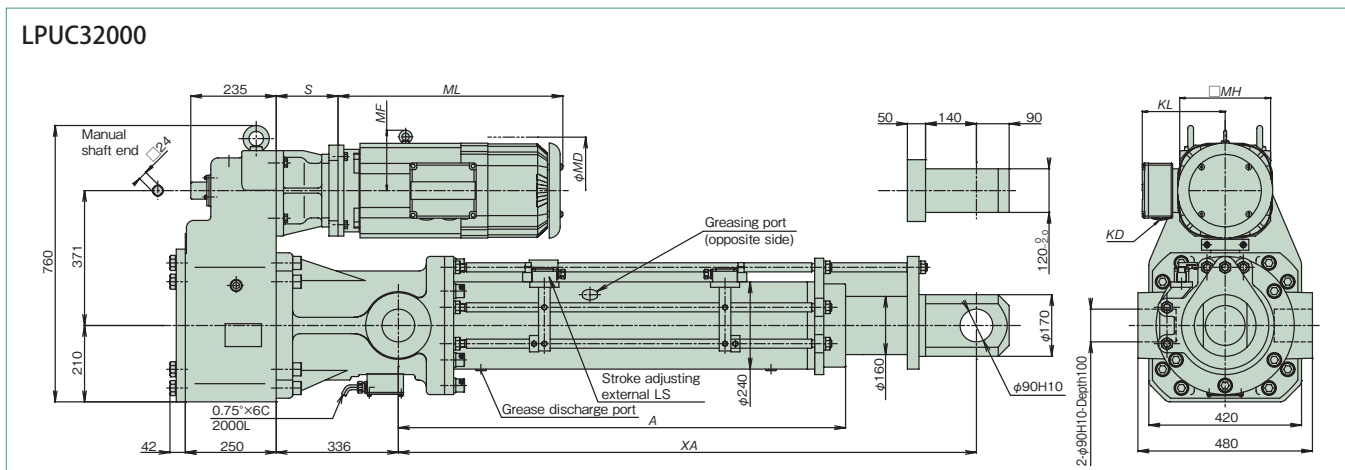
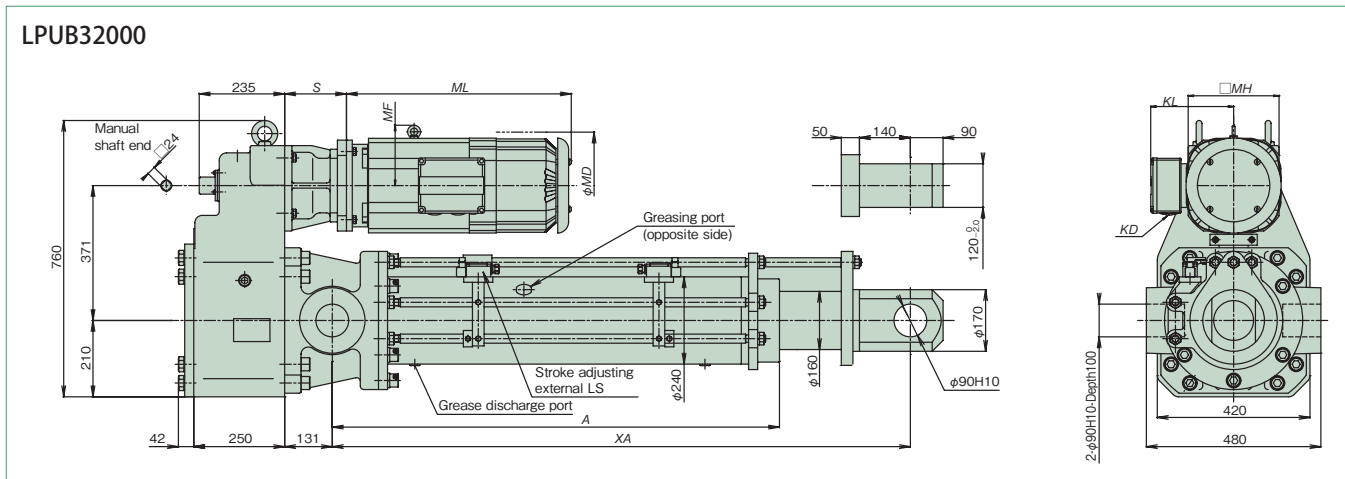


Dimensions Table U Series 32000



Unit: mm

Type	Nominal speed mm/s 50/60Hz	Motor kW	MD	ML	MF	KL	KD	MH	S
LPUB32000L	10/12	5.5	250	584	147	172	ZHM32X1.5 TMM16X1.5	250	170
LPUB32000M	15/18	7.5	294	619	166	228	ZHM32X1.5 ZMM16X1.5	250	170
LPUB32000H	20/24	11	362	764	212	253	ZHM40X1.5 ZMM16X1.5	350	203

Approximate mass of main body

Unit: kg

Type	Nominal stroke	500	1000	1500	2000
LPUB32000L		910	1000	1090	1180
LPUC32000L		1000	1090	1180	1270
LPUB32000M		930	1020	1110	1200
LPUC32000M		1020	1110	1200	1290
LPUB32000H		1000	1090	1180	1270
LPUC32000H		1090	1180	1270	1360

Unit: mm

Nominal stroke	Thrust		A	XA	
	kN	{ kgf }		MIN	MAX
500	313	32000	1230	1490	1990
1000			1730	2040	3040
1500			2230	2590	4090
2000			2730	3140	5140

1. This drawing shows a power cylinder with an external limit switch for stroke adjustment.
2. Mechanical stroke has a extra margin of approximately 10mm on both sides for the nominal stroke.
3. Same dimensions with bellows equipped.
4. UC type brake should be controlled separately.
5. When the model of the UC type nominal stroke 1500mm is used, press and stop cannot be carried out near the maximum stroke in terms of buckling strength.
6. For connector part dimensions of the motor terminal box, refer to page 29.
7. Read cautions on page 33.

Options

■ Bellows (-J)

■ Clevis fitting (LPUB32000-C)

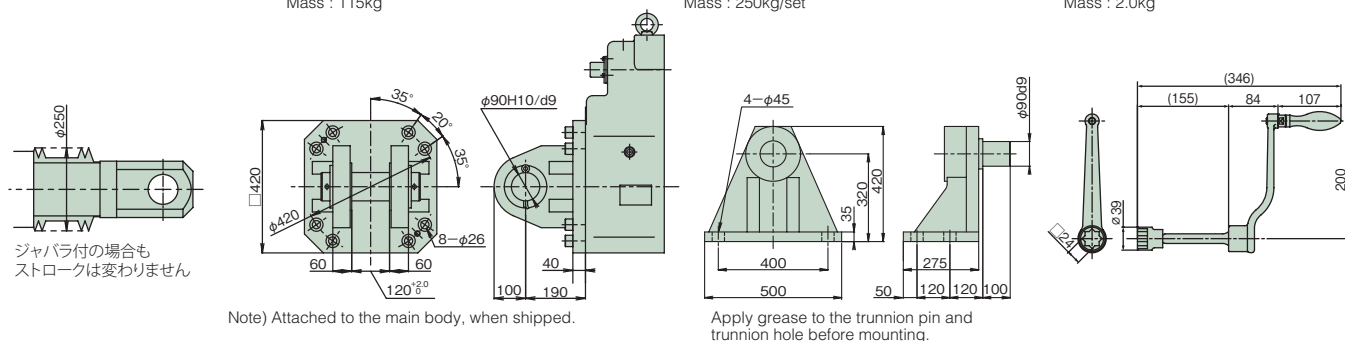
■ Trunnion fitting (LPUB32000-T)

■ Manual handle (LPTB16000-H)

Mass : 115kg

Mass : 250kg/set

Mass : 2.0kg



* Dimensions with no tolerance described have general tolerance, and sizes are larger by approximately 2 to 5mm from the described dimensions. When designing the machine, take the margin into consideration.