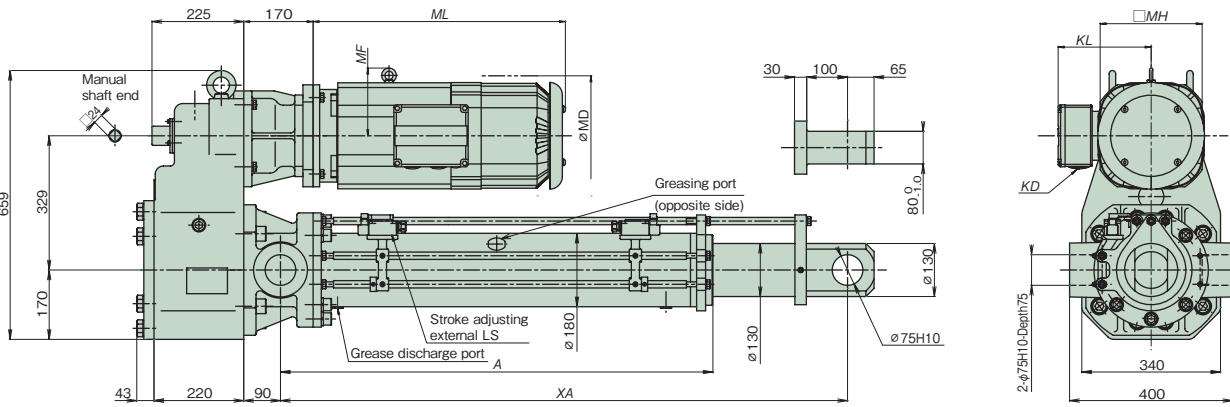
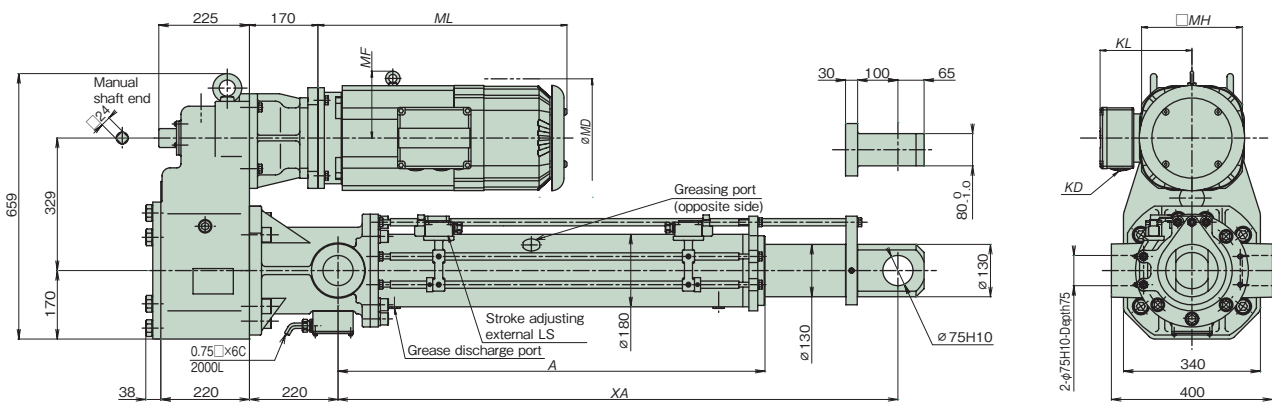


Dimensions Table U Series 22000

LPUB22000



LPUC22000



Unit: mm

Type	Nominal speed mm/s 50/60Hz	Motor kW	MD	ML	MF	KL	KD	MH	S
LPUB22000L	14.5/17.5	5.5	250	584	147	172	ZXM32X1.5 ZXM16X1.5	250	170
LPUC22000L									
LPUB22000M	20/24	7.5	294	619	166	228	ZXM32X1.5 ZXM16X1.5	250	170
LPUC22000M									
LPUB22000H	30/35	11	362	764	212	253	ZXM40X1.5 ZXM16X1.5	350	203
LPUC22000H									

Unit: mm

Nominal stroke	Thrust		A	XA	
	kN	{ kgf }		MIN	MAX
500	215	22000	1060	1260	1760
1000			1560	1810	2810
1500			2060	2360	3860
2000			2560	2910	4910

Approximate mass of main body

Unit: kg

Type	Nominal stroke	500	1000	1500	2000
LPUB22000L		507	563	619	675
LPUC22000L		559	615	671	727
LPUB22000M		505	561	617	673
LPUC22000M		557	613	669	725
LPUB22000H		579	635	691	747
LPUC22000H		631	687	743	799

1. This drawing shows a power cylinder with an external limit switch for stroke adjustment.
2. Mechanical stroke has a extra margin of approximately 10mm on both sides for the nominal stroke.
3. Same dimensions with bellows equipped.
4. UC type brake should be controlled separately.
5. When the model of the UC type nominal stroke 1500mm is used, press and stop cannot be carried out near the maximum stroke in terms of buckling strength.
6. For connector part dimensions of the motor terminal box, refer to page 29.
7. Read cautions on page 33.

Options

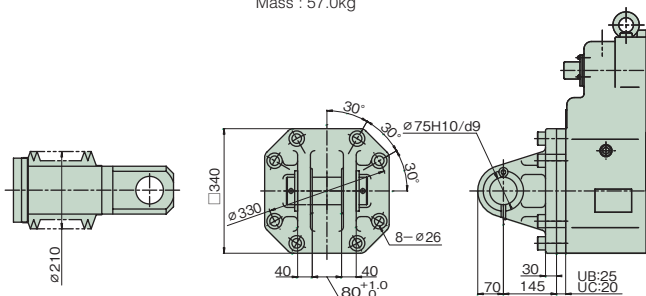
■ Bellows (- J)

■ Clevis fitting (LPUB22000-C)

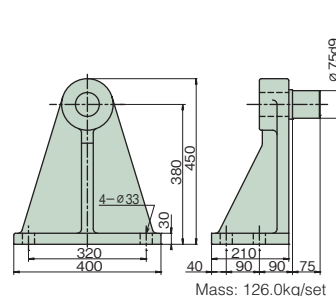
■ Trunnion fitting (LPUB22000-T)

■ Manual handle (LPTB16000-H)

Mass : 57.0kg

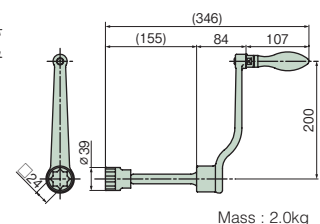


Note) Attached to the main body, when shipped.



Mass: 126.0kg/set

Note) Apply grease to the trunnion pin and trunnion hole before mounting.



Mass : 2.0kg

* Dimensions with no tolerance described have general tolerance, and sizes are larger by approximately 2 to 5mm from the described dimensions. When designing the machine, take the margin into consideration.