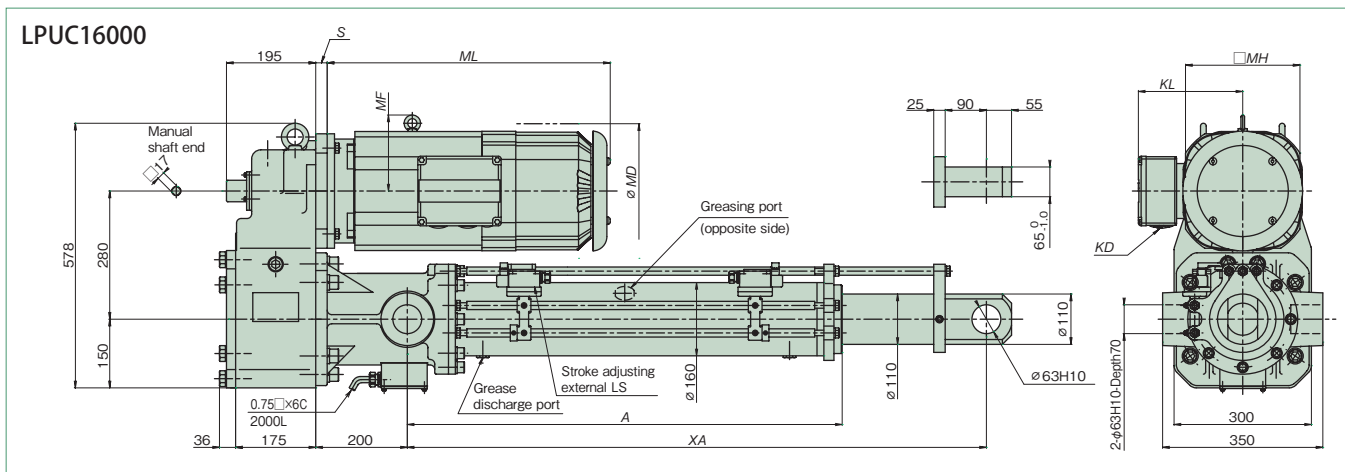
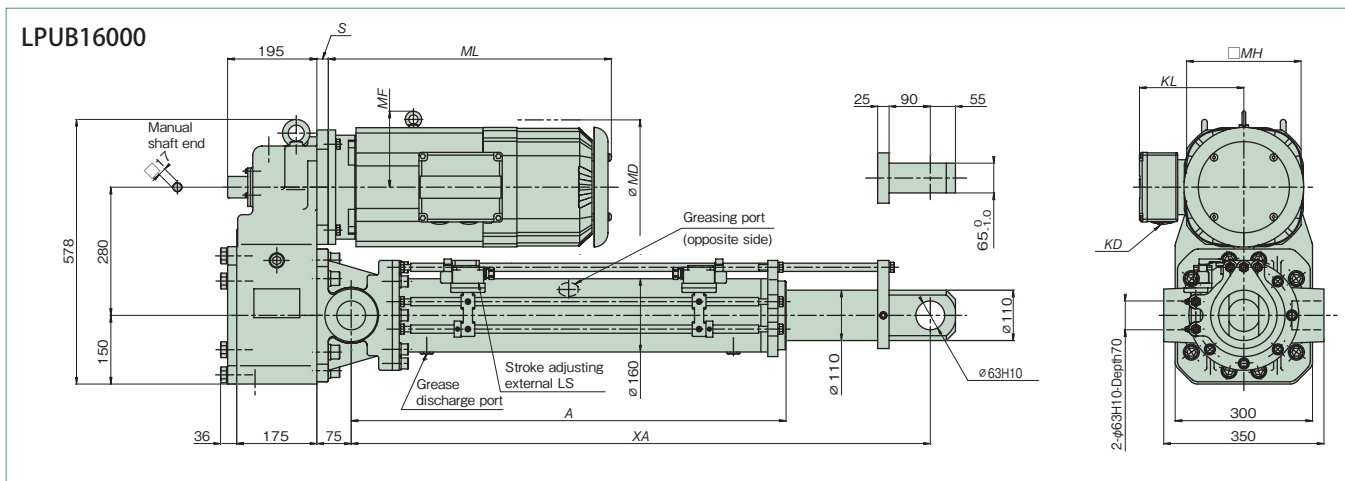


Dimensions Table U Series 16000



Unit: mm

Type	Nominal speed mm/s 50/60Hz	Motor kW	MD	ML	MF	KL	KD	MH	S
LPUB16000L	14.5/17.5	3.7	229	414	146	187	A25C	200	145
LPUB16000M	20/24	5.5	250	584	147	172	2ZM32X1.5 1XM16X1.5	250	170
LPUB16000H	30/36	7.5	294	619	166	228	2ZM32X1.5 2XM16X1.5		25

Approximate mass of main body

Unit: kg

Type	Nominal stroke	500	1000	1500	2000
LPUB16000L		303	345	387	429
LPUC16000L		344	386	428	470
LPUB16000M		327	369	411	453
LPUC16000M		368	410	452	494
LPUB16000H		324	366	408	450
LPUC16000H		365	407	449	491

Unit: mm

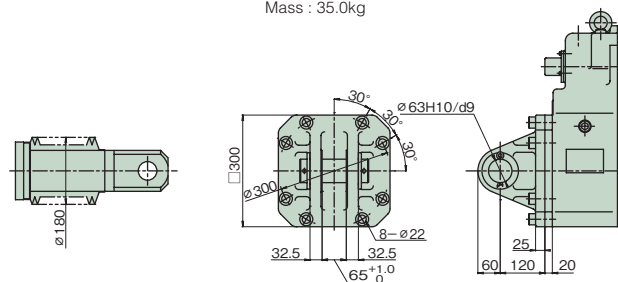
Nominal stroke	Thrust		A	XA	
	kN	{ kgf }		MIN	MAX
500	156	16000	1005	1190	1690
1000			1505	1740	2740
1500			2005	2290	3790
2000			2505	2840	4840

1. This drawing shows a power cylinder with an external limit switch for stroke adjustment.
2. Mechanical stroke has a extra margin of approximately 10mm on both sides for the nominal stroke.
3. Same dimensions with bellows equipped.
4. UC type brake should be controlled separately.
5. When the model of the UC type nominal stroke 1500mm is used, press and stop cannot be carried out near the maximum stroke in terms of buckling strength.
6. For connector part dimensions of the motor terminal box, refer to page 29.
7. Read cautions on page 33.

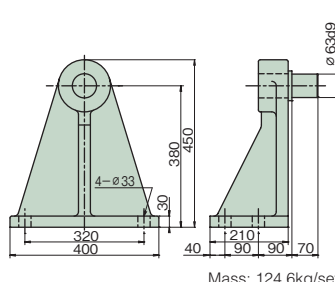
Options

- Bellows ( -J)
- Clevis fitting (LPUB16000-C)
- Trunnion fitting (LPUB16000-T)
- Manual handle (LPTB12000-H)

Mass : 35.0kg

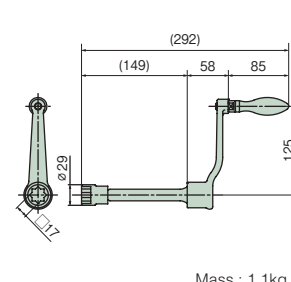


Note) Attached to the main body, when shipped.



Mass: 124.6kg/set

Note) Apply grease to the trunnion pin and trunnion hole before mounting.



Mass : 1.1kg

\* Dimensions with no tolerance described have general tolerance, and sizes are larger by approximately 2 to 5mm from the described dimensions. When designing the machine, take the margin into consideration.