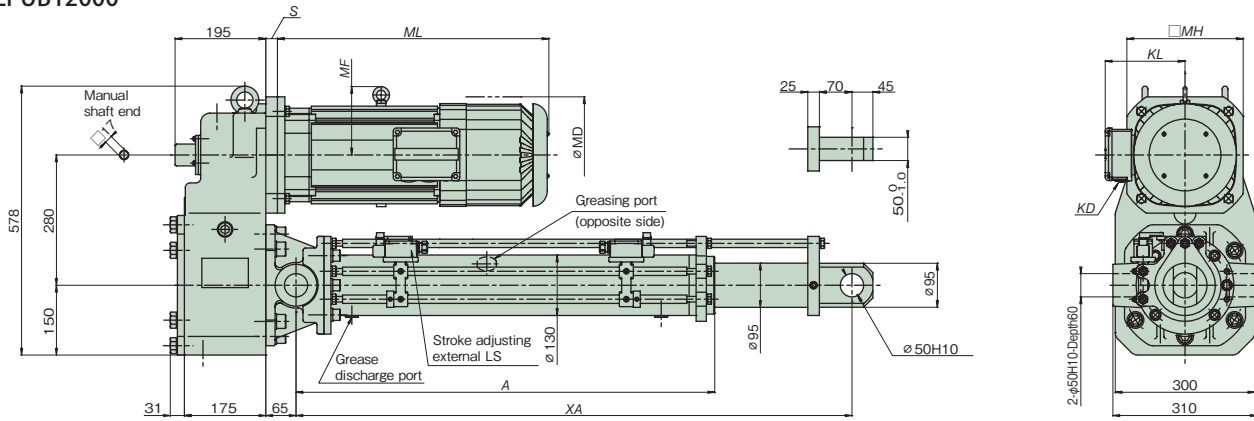
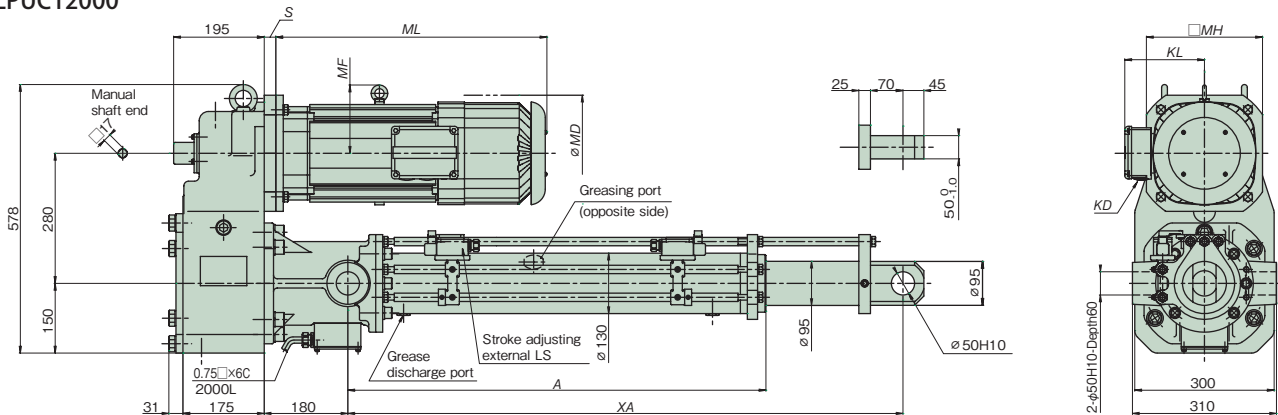


# Dimensions Table U Series 12000

## LPUB12000



## LPUC12000



Unit: mm

Type	Nominal speed mm/s 50/60Hz	Motor kW	MD	ML	MF	KL	KD	MH	S
LPUB12000L	10/12	2.2	194	340	128	178	A25C	200	145
LPUC12000L									
LPUB12000M	18/22	3.7	229	414	146	187	2XMX32X1.5 1XMX16X1.5	250	25
LPUC12000M									
LPUB12000H	30/36	5.5	250	584	147	172			
LPUC12000H									

Unit: mm

Nominal stroke	Thrust		A	XA	
	kN	{ kgf }		MIN	MAX
500	117	12000	900	1065	1565
1000			1400	1615	2615
1500	68.6	7000	1900	2165	3665
2000			2400	2715	4715

### Approximate mass of main body

Unit: kg

Type	Nominal stroke	500	1000	1500	2000
LPUB12000L		238	268	298	328
LPUC12000L		269	299	329	359
LPUB12000M		262	292	322	352
LPUC12000M		293	323	353	383
LPUB12000H		241	271	301	331
LPUC12000H		272	302	332	362

1. This drawing shows a power cylinder with an external limit switch for stroke adjustment.
2. Mechanical stroke has a extra margin of approximately 10mm on both sides for the nominal stroke.
3. Same dimensions with bellows equipped.
4. UC type brake should be controlled separately.
5. When the model of the UC type nominal stroke 1500mm is used, press and stop cannot be carried out near the maximum stroke in terms of buckling strength.
6. For connector part dimensions of the motor terminal box, refer to page 29.
7. Read cautions on page 33.

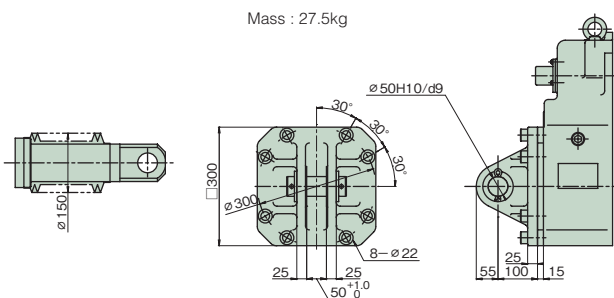
## Options

### ■ Bellows ( - J )

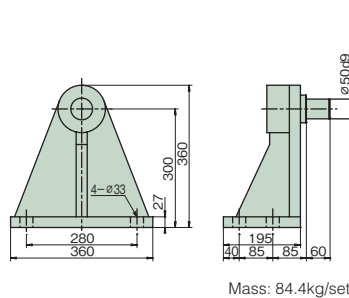
### ■ Clevis fitting (LPUB12000-C)

### ■ Trunnion fitting (LPUB12000-T)

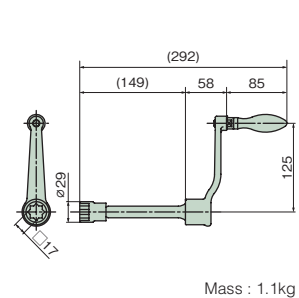
### ■ Manual handle (LPTB12000-H)



Note) Attached to the main body, when shipped.



Note) Apply grease to the trunnion pin and trunnion hole before mounting.



\* Dimensions with no tolerance described have general tolerance, and sizes are larger by approximately 2 to 5mm from the described dimensions. When designing the machine, take the margin into consideration.